

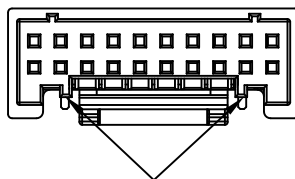
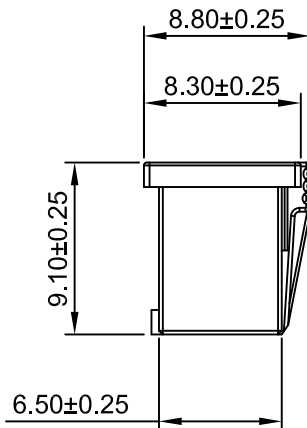
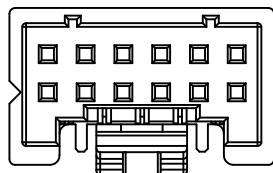
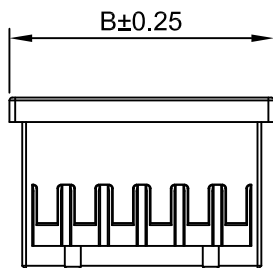
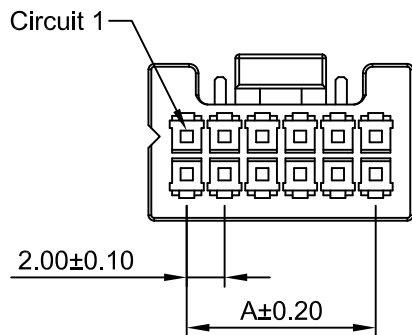
**Ordering Information:**

A2006HU-2xXP - \*\*\*  
 1                      2

1.Part NO.

2.Color

- |                  |                  |
|------------------|------------------|
| (Blank): Natural | BL: Blue         |
| BK: Black        | DO: Dark Orange  |
| CB: Cobalt Blue  | DH: Dark Gray    |
| DP: Dark Purple  | OR: Orange       |
| IV: Ivory        | MG: Moss green   |
| DPK: Dark pink   | LY: Lemon yellow |
| LE: Light blue   |                  |
| TR: Tomato red   |                  |



2x4P~2x7P Without Guide bulge  
2x8P~2x20P With Guide bulge

**SPECIFICATIONS:**

Current Rating: 3A AC,DC  
 Voltage Rating: 250V AC,DC  
 Temperature Range: -40°C ~ +105°C  
 Contact Resistance: 10mΩ Max.  
 Insulation Resistance: 1000MΩ Min.  
 Withstanding Voltage: 800V AC/minute  
 Material: Nylon66,UL94V-0(Natural)

**Ordering Information & Dimensions**

Part NO.	Dimensions(mm)	
	A	B
A2006HU-2x4P	6.00	10.00
A2006HU-2x5P	8.00	12.00
A2006HU-2x6P	10.00	14.00
A2006HU-2x7P	12.00	16.00
A2006HU-2x8P	14.00	18.00
A2006HU-2x9P	16.00	20.00
A2006HU-2x10P	18.00	22.00
A2006HU-2x11P	20.00	24.00
A2006HU-2x12P	22.00	26.00
A2006HU-2x13P	24.00	28.00
A2006HU-2x14P	26.00	30.00
A2006HU-2x15P	28.00	32.00
A2006HU-2x16P	30.00	34.00
A2006HU-2x17P	32.00	36.00
A2006HU-2x18P	34.00	38.00
A2006HU-2x19P	36.00	40.00
A2006HU-2x20P	38.00	42.00

REV	DESCRIPTION	DATE
A1	MODIFY DRAWING	2021.06.16
A0	NEW RELEASE	2016.07.20

**CJTconn** CHANGJIANG CONNECTORS CO.,LTD.

Unit	Scale	Sheet	TITLE
mm	2.5:1	1 of 1	
DRWN	CHK'D	APPR	2.00mm PITCH HOUSING
Dengchun Yi	Diankui Wan	Jack Yin	
General Tolerances			DRAWING NO.
x.xx±0.25 x.xxx±0.20 x.xxxx±0.15 ANGLES ±1°			
THIRD ANGLE PROJECTION			A2006HU-2xXP
			REV A1