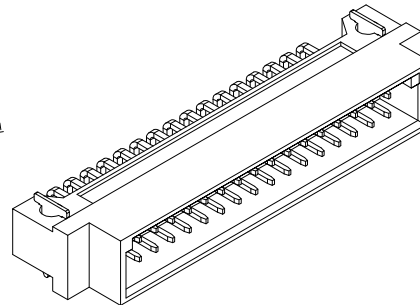
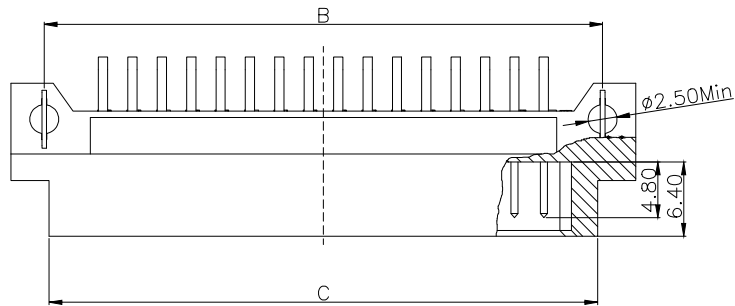


REV.	SPECIFICATION	ECN NO.	APPD.
R6		BCN220137	



Material and Plating:

Housing: PBT, UL94V-0, Beige.

Contacts: Brass.

Lock: Phosphor Bronze.

Gold Plated on contact Area and 80u" Min Tin or Gold

Flash Plated on solder tail over 50u" Min Nickel.

Electrical Characteristics:

Current Rating: 2 AMP.

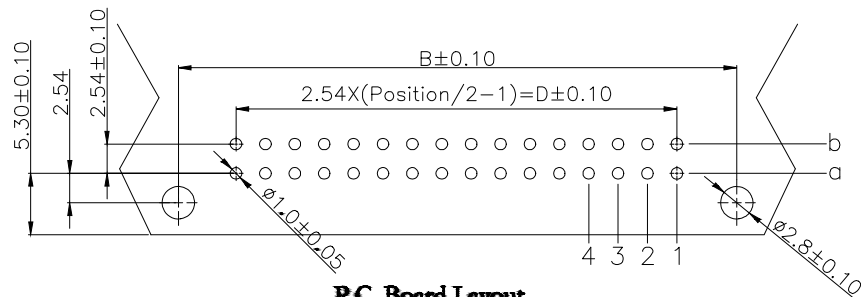
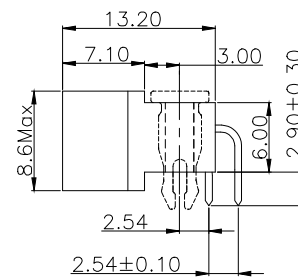
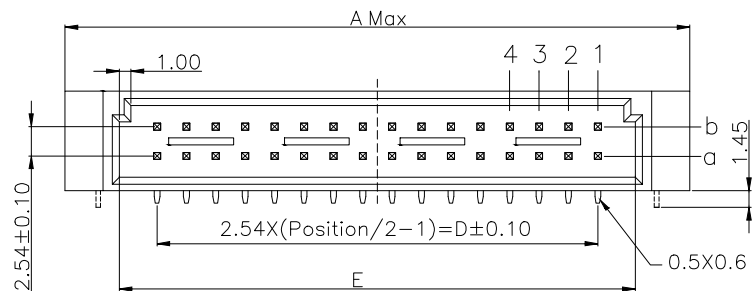
Dielectric Withstanding Voltage: AC 1000V For 1 minute.

Insulator Resistance: 1000MΩ Min. at DC 500V.

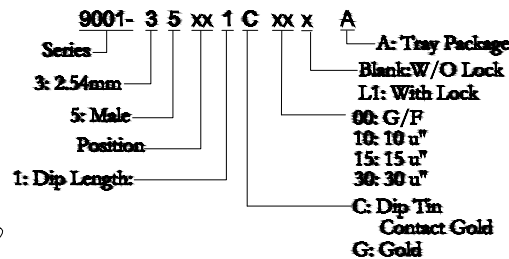
Contact Resistance: 20mΩ Max. at DC 100mA.

Operating Temperature: -55°C ~+125°C .

***RoHS Compliant**



P.C. Board Layout
(Tolerance: ±0.05)



Dimension					
Position	A	B	C	D	E
44/22	69.24	63.50	62.64	53.34	59.95
32/16	54.00	48.26	47.40	38.10	44.60

9001-35441CxxxA		±b	44	254mm
9001-35321CxxxA		±b	32	
9001-35221CxxxA		±b	22	
9001-35161CxxxA		±b	16	

P/N	Contact Arrange	Rows with Contacts	Position	Pitch
-----	-----------------	--------------------	----------	-------

Tolerances	Dwg No.	9001D35001	
x = ±0.5	Projection		
.x = ±0.25	Unit	mm	Scale 1:1
.xx = ±0.15	Drawn By	ZY 1/19'22	

Title: 9001 Series
DIN 41612
Half B Type Male

深圳市格林柏电子技术开发有限公司			
P/N: 9001-35xx1CxxxA			
SHEET	1/1	Ver.No.	R6