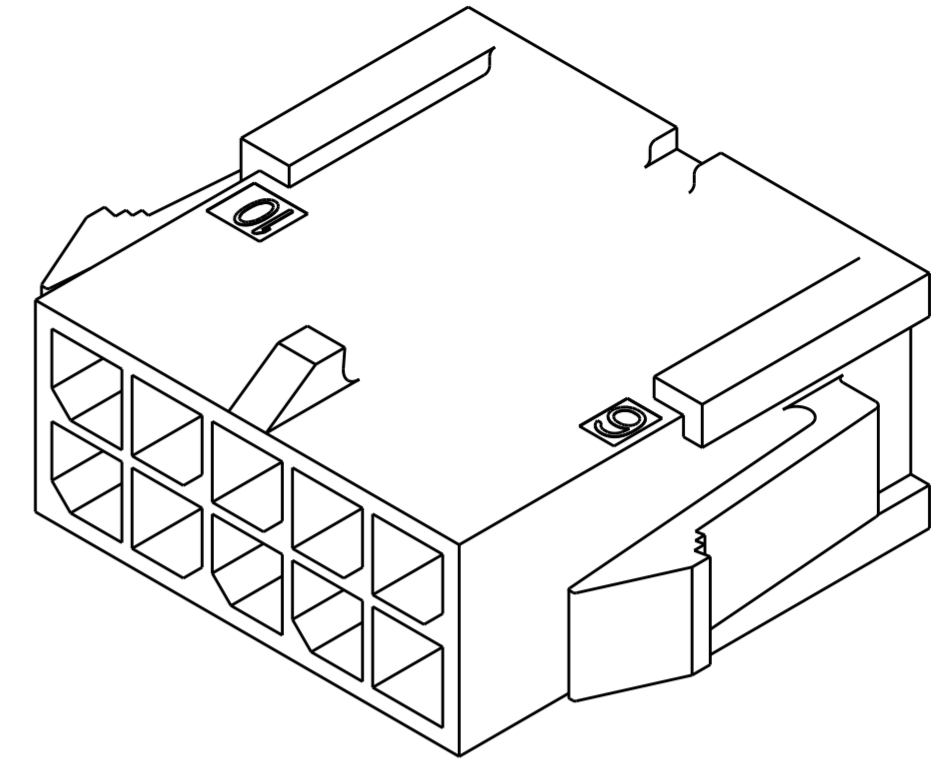
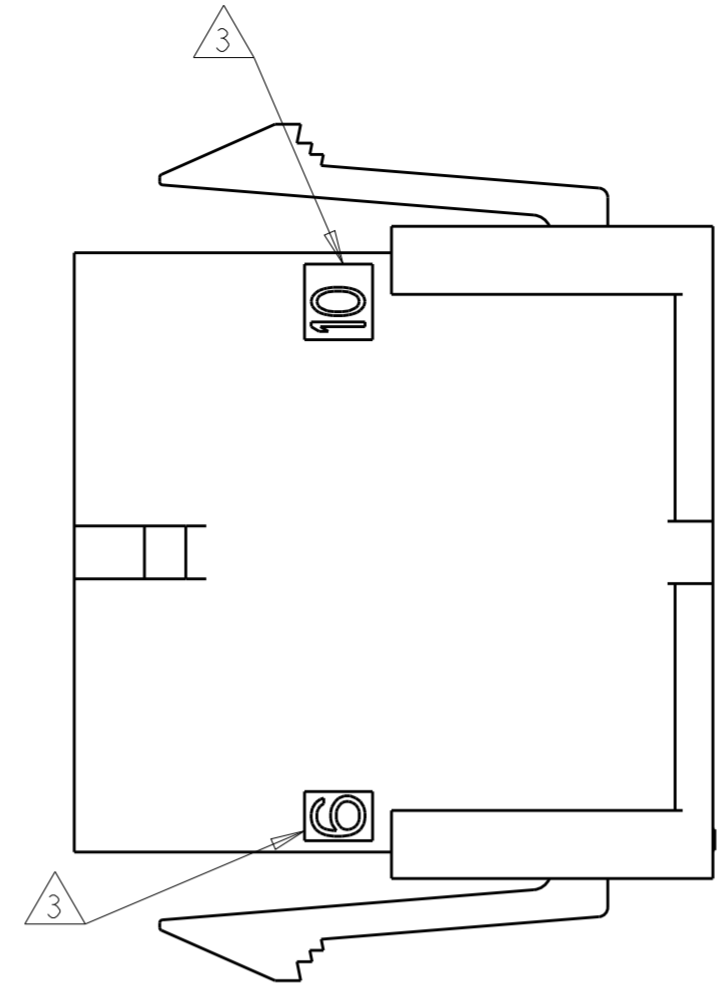


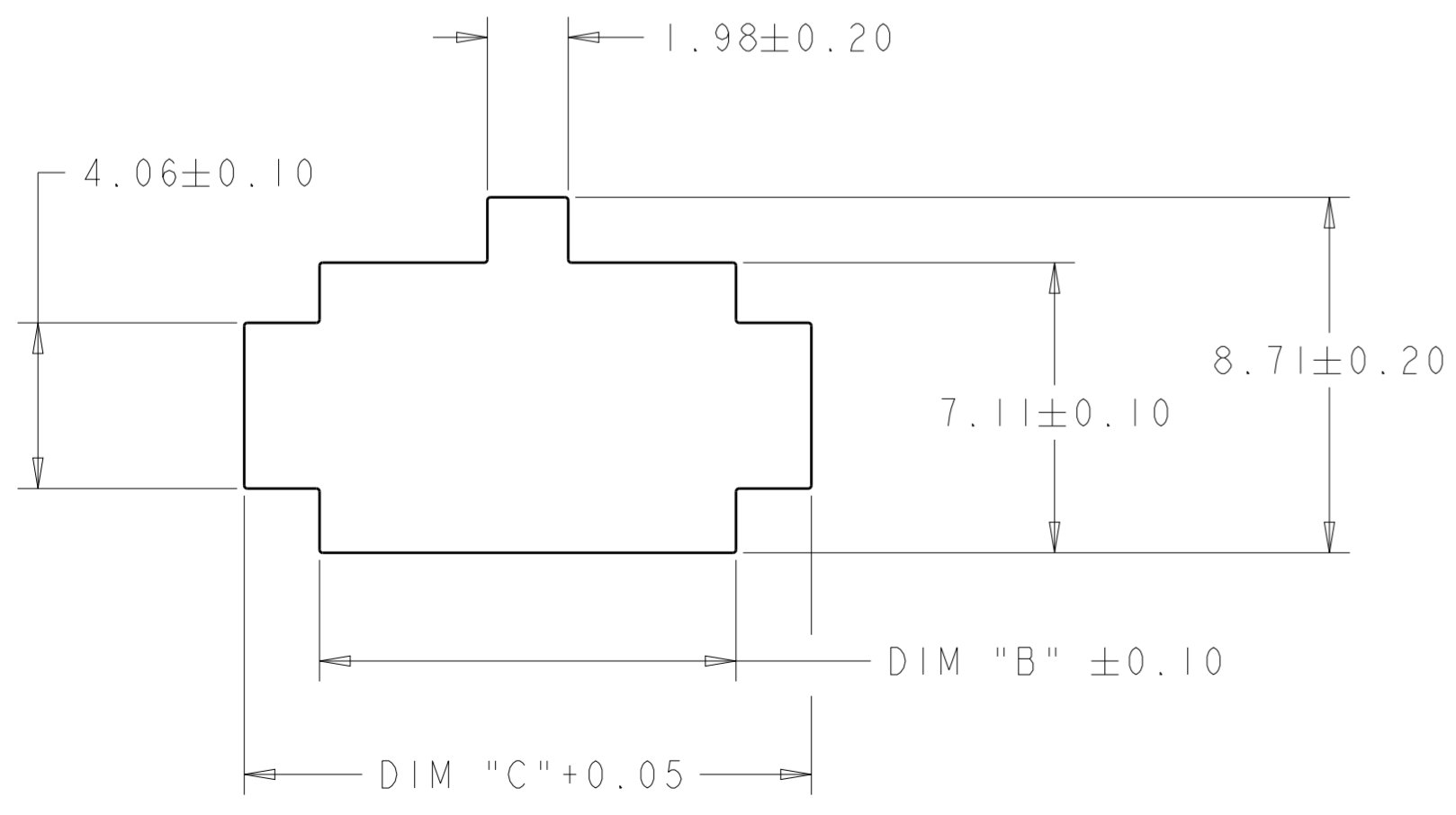
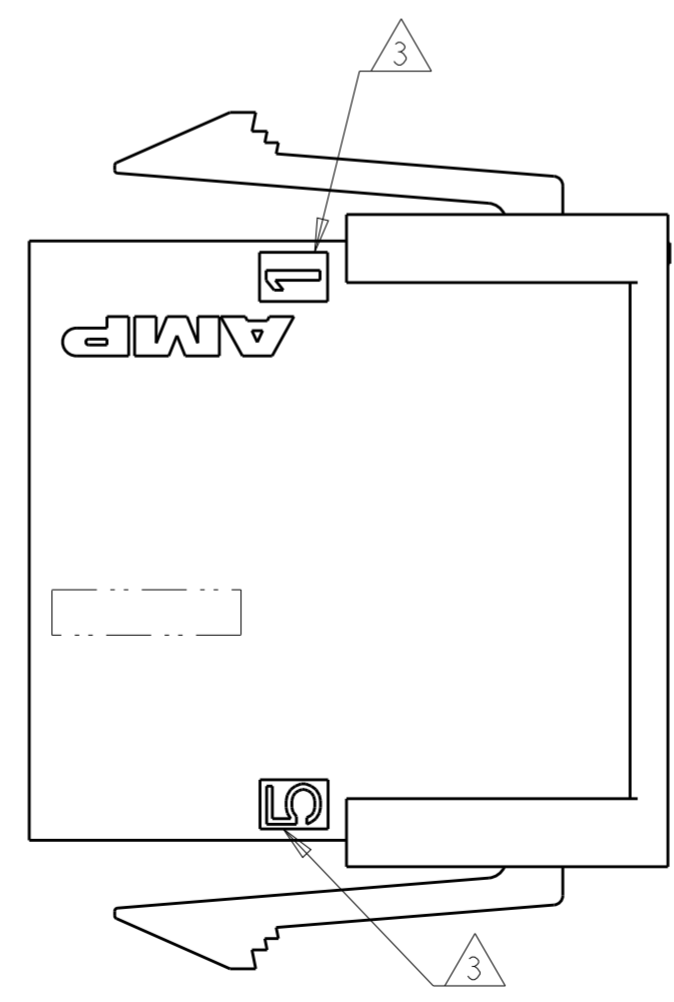
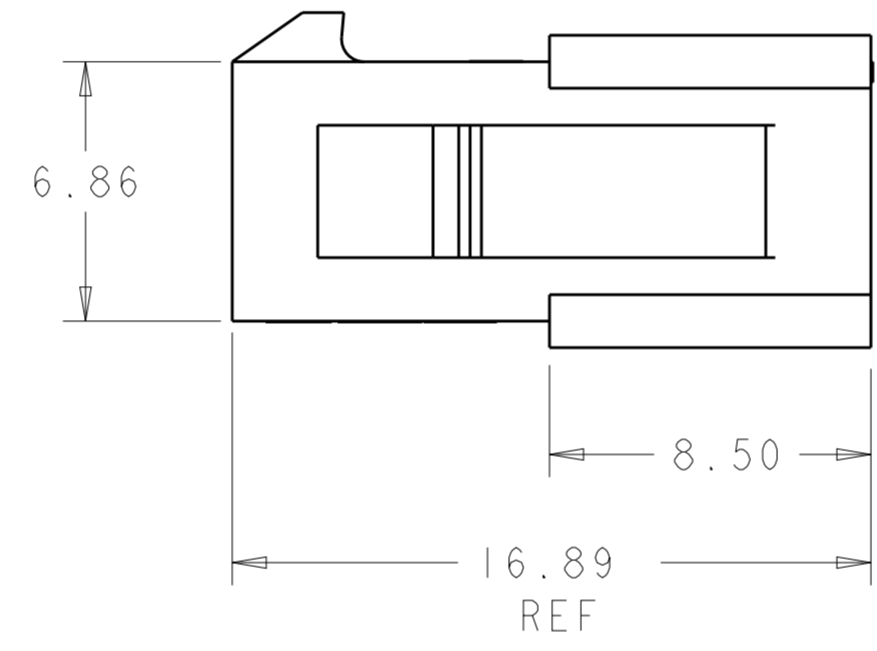
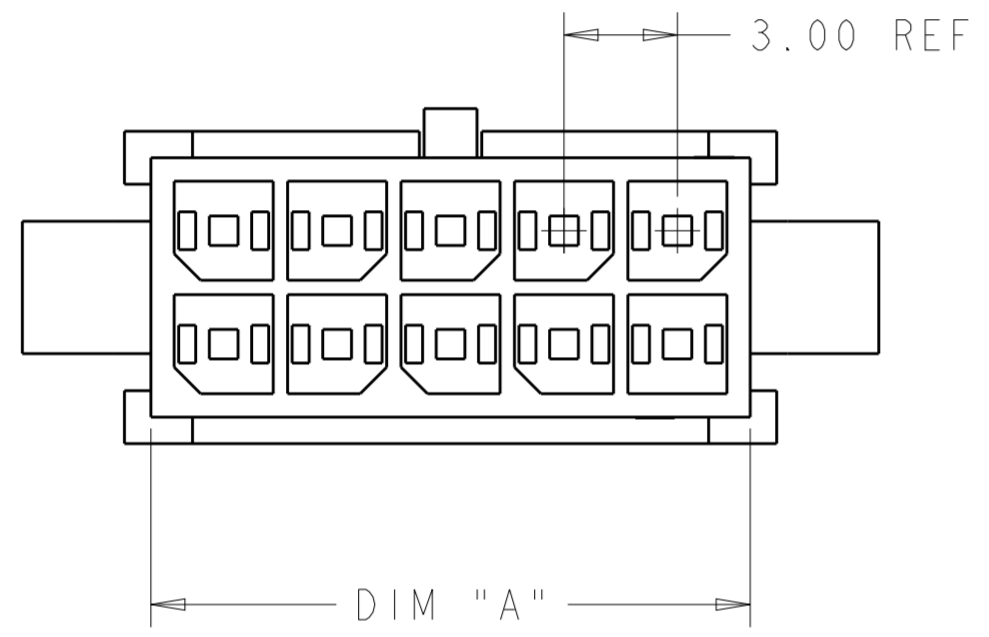
THIS DRAWING IS UNPUBLISHED. RELEASED FOR PUBLICATION 20
 © COPYRIGHT 20 BY - ALL RIGHTS RESERVED.

REVISIONS					
P	LTR	DESCRIPTION	DATE	DWN	APVD
	P6	REVISED PER ECR-18-011787	10SEP2018	JB	DZ

- 1 RECOMMENDED PANEL THICKNESS 1.57-2.3.
- 2. PANEL MUST BE PUNCHED SO THAT HOUSING ENTERS THE PANEL IN THE SAME DIRECTION AS THE PUNCH.
- 3 CIRCUIT IDENTIFIERS LOCATED APPROXIMATELY AS SHOWN.
- 4 MATERIAL PA66/6 UL94-V0 COLOR-BLACK.
- 5 MATERIAL PA66 UL94-V0 GW COLOR-NATURAL.



SCALE 5:1



PANEL CUT-OUT 1

UL-V0	19.88	16.20	15.85	10	3-794615-0
GWEPT 750°C NO FLAME 5	16.88	13.20	12.85	8	3-794615-8
GWFI 850°C NO FLAME	13.88	10.20	9.85	6	3-794615-6
OBSOLETE	10.88	7.20	6.85	4	3-794615-4
OBSOLETE	7.88	4.20	3.85	2	3-794615-2
4	40.88	37.20	36.85	24	2-794615-4
	37.88	34.20	33.85	22	2-794615-2
	34.88	31.20	30.85	20	2-794615-0
	31.88	28.20	27.85	18	1-794615-8
	28.88	25.20	24.85	16	1-794615-6
	25.88	22.20	21.85	14	1-794615-4
	22.88	19.20	18.85	12	1-794615-2
	19.88	16.20	15.85	10	1-794615-0
	16.88	13.20	12.85	8	794615-8
	13.88	10.20	9.85	6	794615-6
10.88	7.20	6.85	4	794615-4	
7.88	4.20	3.85	2	794615-2	
REMARK	DIM C	DIM B	DIM A	NO. OF POS.	PART NUMBER

THIS DRAWING IS A CONTROLLED DOCUMENT.

DWN: W. J. RUDY 29AUG2000
 CHK: W. DAVIS 29AUG2000
 APVD: W. DAVIS 29AUG2000

TE Connectivity

NAME: PLUG HOUSING, 2 to 24 POSITION
 DUAL ROW, PANEL MOUNT
 MICRO MATE-N-LOK(TM)

PRODUCT SPEC: 108-1836
 APPLICATION SPEC: 114-13000

SIZE: A2 CAGE CODE: 00779 DRAWING NO: C-794615

RESTRICTED TO: []

MATERIAL: 4 5
 DIMENSIONS: mm
 TOLERANCES UNLESS OTHERWISE SPECIFIED:
 0 PLC ±
 1 PLC ±
 2 PLC ±0.13
 3 PLC ±
 4 PLC ±
 ANGLES ±
 FINISH -

WEIGHT: -

CUSTOMER DRAWING SCALE: 6:1 SHEET: 1 OF 1 REV: P6