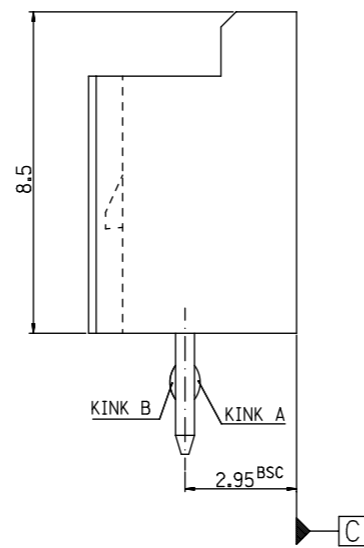
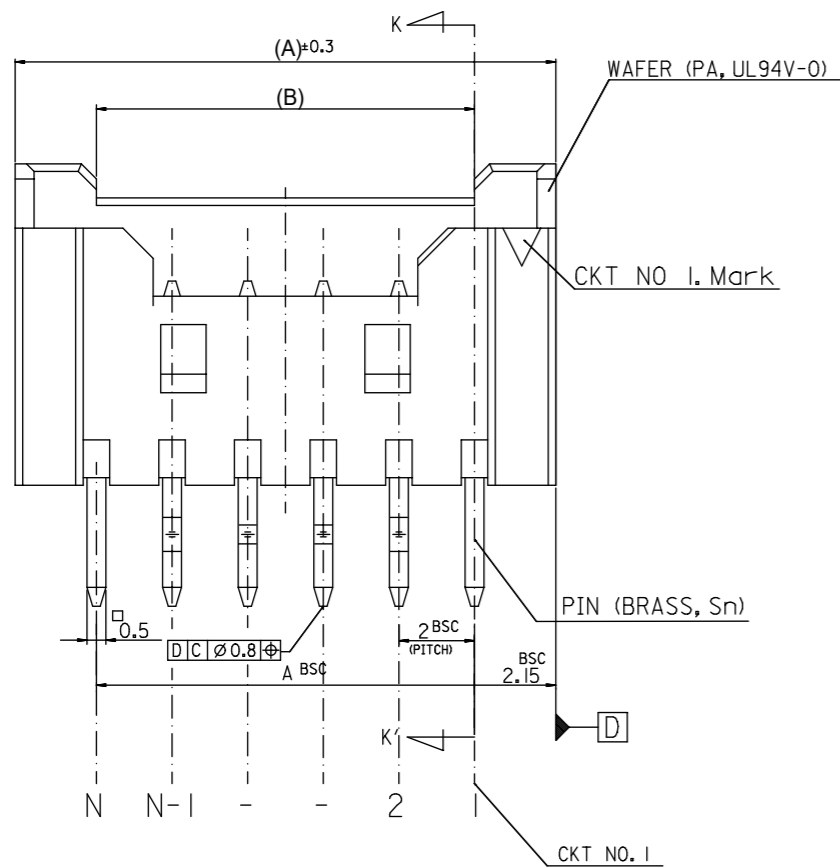
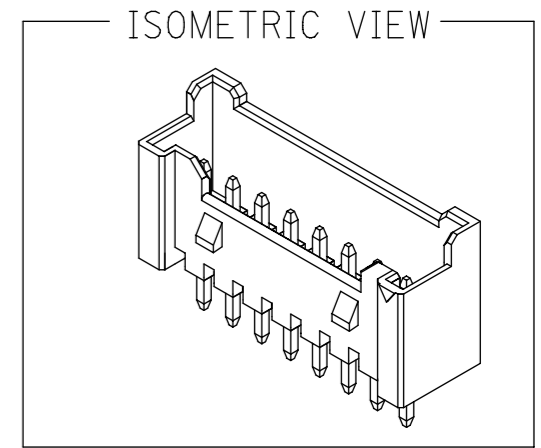
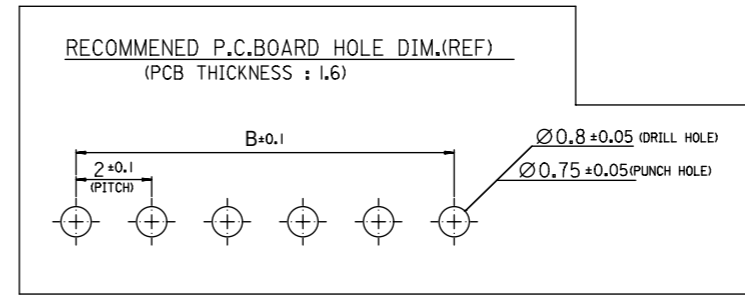


SECTION K-K'



LEGEND

SD-35362-****
 CKT NO. _____ COLOR _____

FINAL GOOD (BULK) — 5 : SELECTIVE KINK (LEAD FREE)
 — 6 : NONE KINK (LEAD FREE)

SUB ASSY (TUBE) — 7 : SELECTIVE KINK (LEAD FREE)
 — 8 : NONE KINK (LEAD FREE)

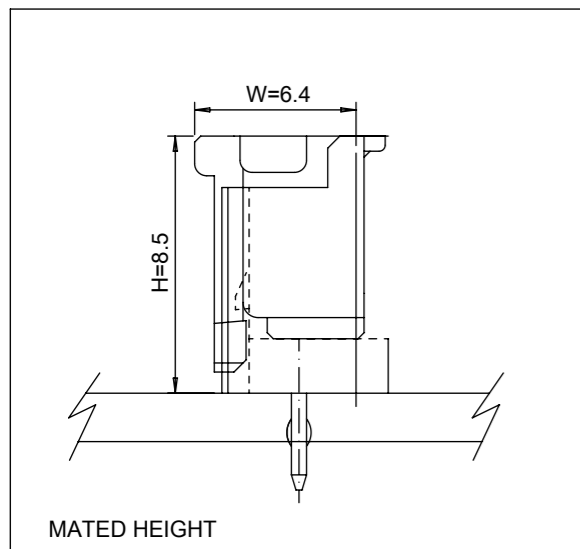
0 : NATURAL
 1 : BLACK
 2 : RED
 3 : YELLOW
 4 : BLUE
 5 : GREEN
 6 : TUBE PACKING (Natural Color)
 7 : TUBE PACKING (Red Color)
 8 : TUBE PACKING (Blue Color)

NOTES

- MATERIAL : UNFILLED POLYAMIDE, UL94V-0
PIN : BRASS
- FINISHES : PIN - Tin(Sn) 1.0~3.0µm OVERALL
Cu 1.5~3.75µm OVERALL
- PRODUCT SPECIFICATION : PS-35507-003
- MATING HOUSING : 35507-**0*
MATING TERMINAL : 50212-8000
- KINK

CKT NO / CKT	1	2	3	4	5	N-2	N-1	N
6 CKT OVER	—	A	B	—	—	B	A	—
5 CKT	A	B	—	B	A			
4 CKT	A	B	B	A				

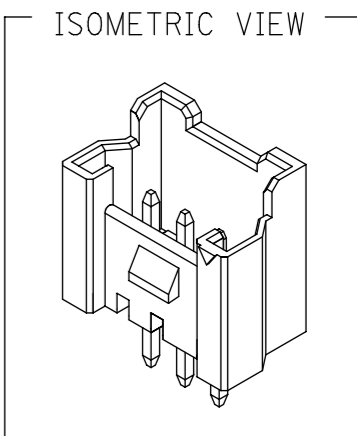
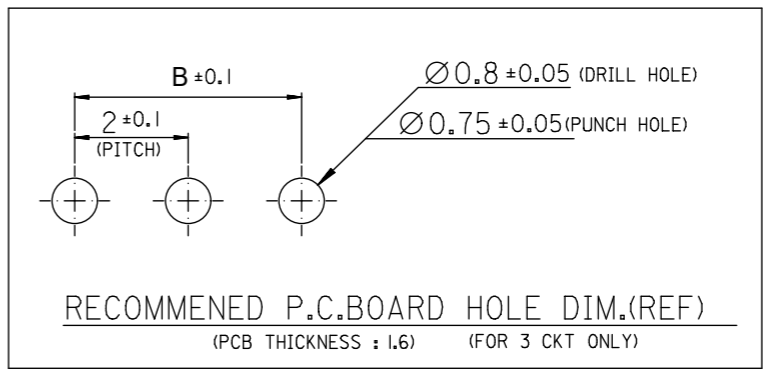
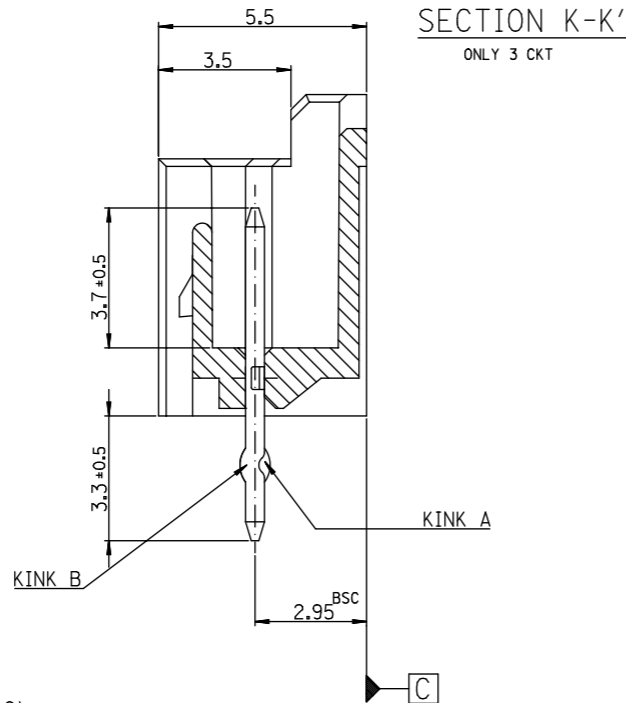
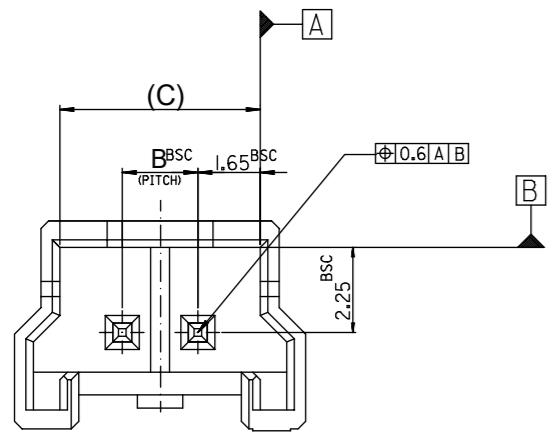
31.3	28	32.3	3536215**	35362-15**	15
29.3	26	30.3	3536214**	35362-14**	14
27.3	24	28.3	3536213**	35362-13**	13
25.3	22	26.3	3536212**	35362-12**	12
23.3	20	24.3	3536211**	35362-11**	11
21.3	18	22.3	3536210**	35362-10**	10
19.3	16	20.3	3536209**	35362-09**	9
17.3	14	18.3	3536208**	35362-08**	8
15.3	12	16.3	3536207**	35362-07**	7
13.3	10	14.3	3536206**	35362-06**	6
11.3	8	12.3	3536205**	35362-05**	5
9.3	6	10.3	3536204**	35362-04**	4
(C)	B	(A)	ENG. NO.	ENG. NO.	CKT



LEAD FREE	FUNCTIONAL SYMBOLS	THIS DRAWING CONTAINS INFORMATION THAT IS PROPRIETARY TO MOLEX ELECTRONIC TECHNOLOGIES, LLC AND SHOULD NOT BE USED WITHOUT WRITTEN PERMISSION	CURRENT REV DESC:																																										
	<table border="1"> <tr><td>30 over</td><td>±0.3</td></tr> <tr><td>10 over 30 under</td><td>±0.25</td></tr> <tr><td>10 under</td><td>±0.2</td></tr> <tr><td>ANGLE</td><td>±3°</td></tr> </table>	30 over	±0.3	10 over 30 under	±0.25	10 under	±0.2	ANGLE	±3°	<table border="1"> <tr><td>mm</td><td>SCALE 5:1</td></tr> <tr><td colspan="2">GENERAL TOLERANCES (UNLESS SPECIFIED)</td></tr> <tr><td>4 PLACES</td><td>±</td></tr> <tr><td>3 PLACES</td><td>±</td></tr> <tr><td>2 PLACES</td><td>±</td></tr> <tr><td>1 PLACE</td><td>±</td></tr> <tr><td>0 PLACES</td><td>±</td></tr> </table>	mm	SCALE 5:1	GENERAL TOLERANCES (UNLESS SPECIFIED)		4 PLACES	±	3 PLACES	±	2 PLACES	±	1 PLACE	±	0 PLACES	±	<table border="1"> <tr><td>EC NO:</td><td>636378</td></tr> <tr><td>DRWN:</td><td>SCHONG03</td></tr> <tr><td>CHK'D:</td><td>JBJIN</td></tr> <tr><td>APPR:</td><td>YSKIM02</td></tr> <tr><td>INITIAL REVISION:</td><td></td></tr> <tr><td>DRWN:</td><td>DYJANG</td></tr> <tr><td>APPR:</td><td>CHANGWOOLEE</td></tr> </table>	EC NO:	636378	DRWN:	SCHONG03	CHK'D:	JBJIN	APPR:	YSKIM02	INITIAL REVISION:		DRWN:	DYJANG	APPR:	CHANGWOOLEE	<table border="1"> <tr><td>2020/04/21</td><td>2020/04/23</td></tr> <tr><td>2020/04/23</td><td>2020/04/23</td></tr> <tr><td>2004/09/01</td><td>2004/09/02</td></tr> </table>	2020/04/21	2020/04/23	2020/04/23	2020/04/23	2004/09/01
30 over	±0.3																																												
10 over 30 under	±0.25																																												
10 under	±0.2																																												
ANGLE	±3°																																												
mm	SCALE 5:1																																												
GENERAL TOLERANCES (UNLESS SPECIFIED)																																													
4 PLACES	±																																												
3 PLACES	±																																												
2 PLACES	±																																												
1 PLACE	±																																												
0 PLACES	±																																												
EC NO:	636378																																												
DRWN:	SCHONG03																																												
CHK'D:	JBJIN																																												
APPR:	YSKIM02																																												
INITIAL REVISION:																																													
DRWN:	DYJANG																																												
APPR:	CHANGWOOLEE																																												
2020/04/21	2020/04/23																																												
2020/04/23	2020/04/23																																												
2004/09/01	2004/09/02																																												
GENERAL TOLERANCE	DRAFT WHERE APPLICABLE MUST REMAIN WITHIN DIMENSIONS	THIRD ANGLE PROJECTION	DRAWING A3-SIZE	SERIES 35362																																									

molex		2.0 WB WAFER ASSY - LEAD FREE-	
PRODUCT CUSTOMER DRAWING			
DOCUMENT NUMBER	DOC TYPE	DOC PART	REVISION
SD-35362-002	PSD	001	F3
MATERIAL NUMBER	CUSTOMER	SHEET NUMBER	
SEE TABLE	GENERAL MARKET	1 OF 1	

FOR 2 & 3 CKTS.



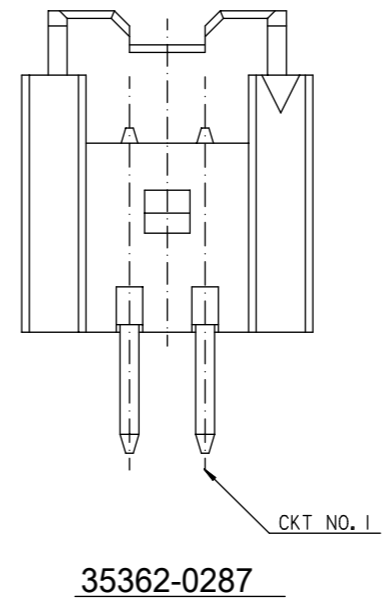
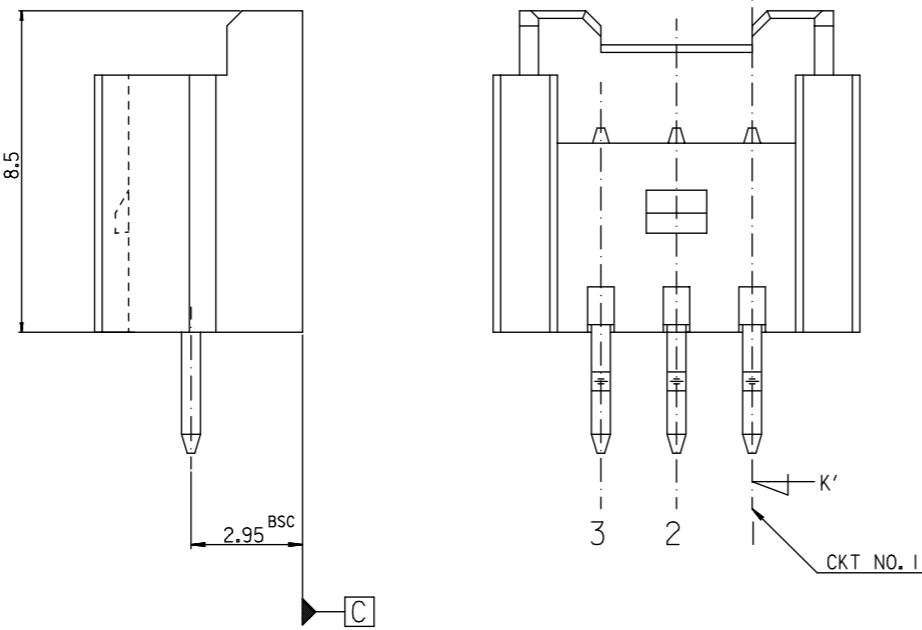
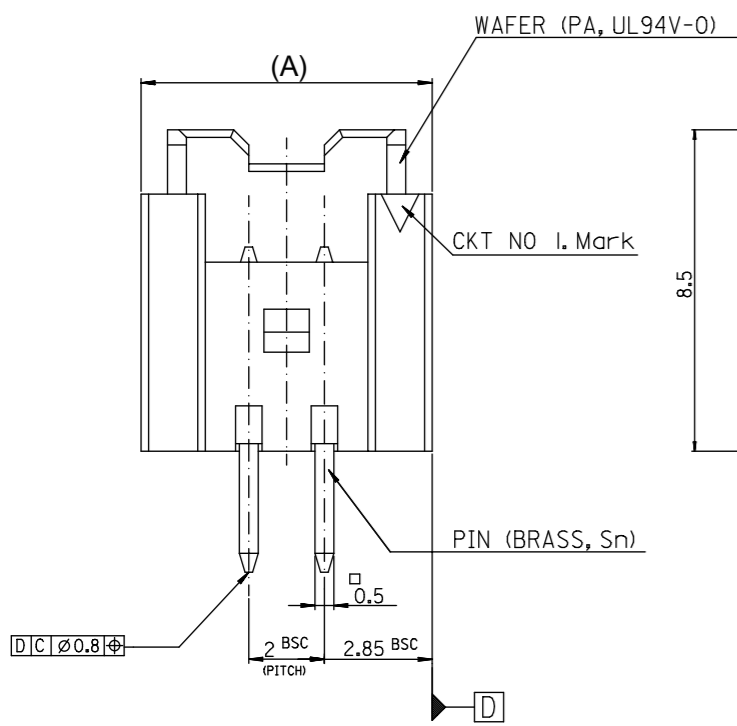
LEGEND

SD-35362-****
CKT NO. _____ COLOR _____

FINAL GOOD (BULK)
SUB ASSY (TUBE)

- 5 : SELECTIVE KINK (LEAD FREE)
- 6 : NONE KINK (LEAD FREE)
- 7 : SELECTIVE KINK (LEAD FREE)
- 8 : NONE KINK (LEAD FREE)

- 0 : NATURAL
- 1 : BLACK
- 2 : RED
- 3 : YELLOW
- 4 : BLUE
- 5 : GREEN
- 6 : TUBE PACKING (Natural Color)
- 7 : TUBE PACKING (Red Color)
- 8 : TUBE PACKING (Blue Color)

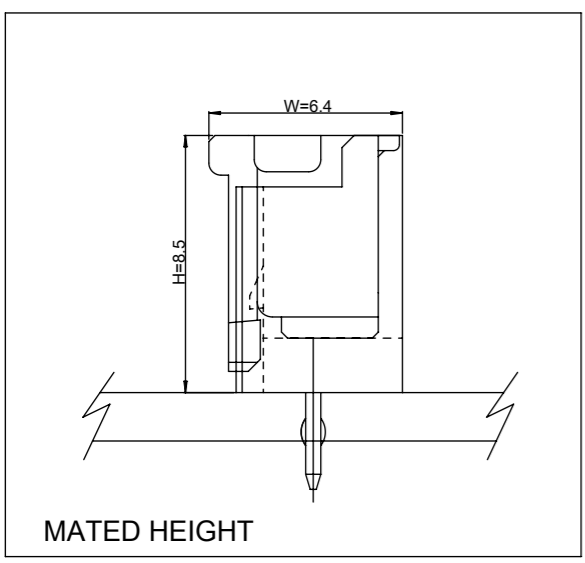


- NOTES**
- MATERIAL : UNFILLED POLYAMIDE, UL94V-0
PIN : BRASS
 - FINISHES : PIN - Tin(Sn) 1.0~3.0µm OVERALL
Cu 1.5~3.75µm OVERALL
 - PRODUCT SPECIFICATION : PS-35507-003
 - MATING HOUSING : 35507-**0*
MATING TERMINAL : 50212-8000
 - KINK

CKT NO.	1	2	3
2 CKT			
3 CKT	A	B	A

CKT NO.	1	2
PRODUCT NO.		
35362-0287	A	B

7.3	4	9.7	3536203**	35362-03**	3
5.3	2	7.7	3536202**	35362-02**	2
(C)	B	(A)	MATERIAL NO.	ENG. NO.	CKT



LEAD FREE

FUNCTIONAL SYMBOLS	THIS DRAWING CONTAINS INFORMATION THAT IS PROPRIETARY TO MOLEX ELECTRONIC TECHNOLOGIES, LLC AND SHOULD NOT BE USED WITHOUT WRITTEN PERMISSION
SCALE	SCALE
mm	5:1
GENERAL TOLERANCES (UNLESS SPECIFIED)	
ANGULAR TOL ±	°
4 PLACES ±	
3 PLACES ±	
2 PLACES ±	
1 PLACE ±	
0 PLACES ±	
DIVISIONAL SYMBOLS	
GENERAL TOLERANCE	

EC NO: 636378
DRWN: SCHONG03
CHK'D: JBJIN
APPR: YSKIM02
INITIAL REVISION:
DRWN: DYJANG
APPR: CHANGWOOLEE

2020/04/21
2020/04/23
2020/04/23

2004/09/01
2004/09/02

THIRD ANGLE PROJECTION

DRAFT WHERE APPLICABLE MUST REMAIN WITHIN DIMENSIONS

DRAWING SERIES

A3-SIZE 35362

DOCUMENT NUMBER: SD-35362-002
DOC TYPE: PSD
DOC PART: 002
REVISION: F3

MATERIAL NUMBER: SEE TABLE
CUSTOMER: GENERAL MARKET
SHEET NUMBER: 1 OF 1