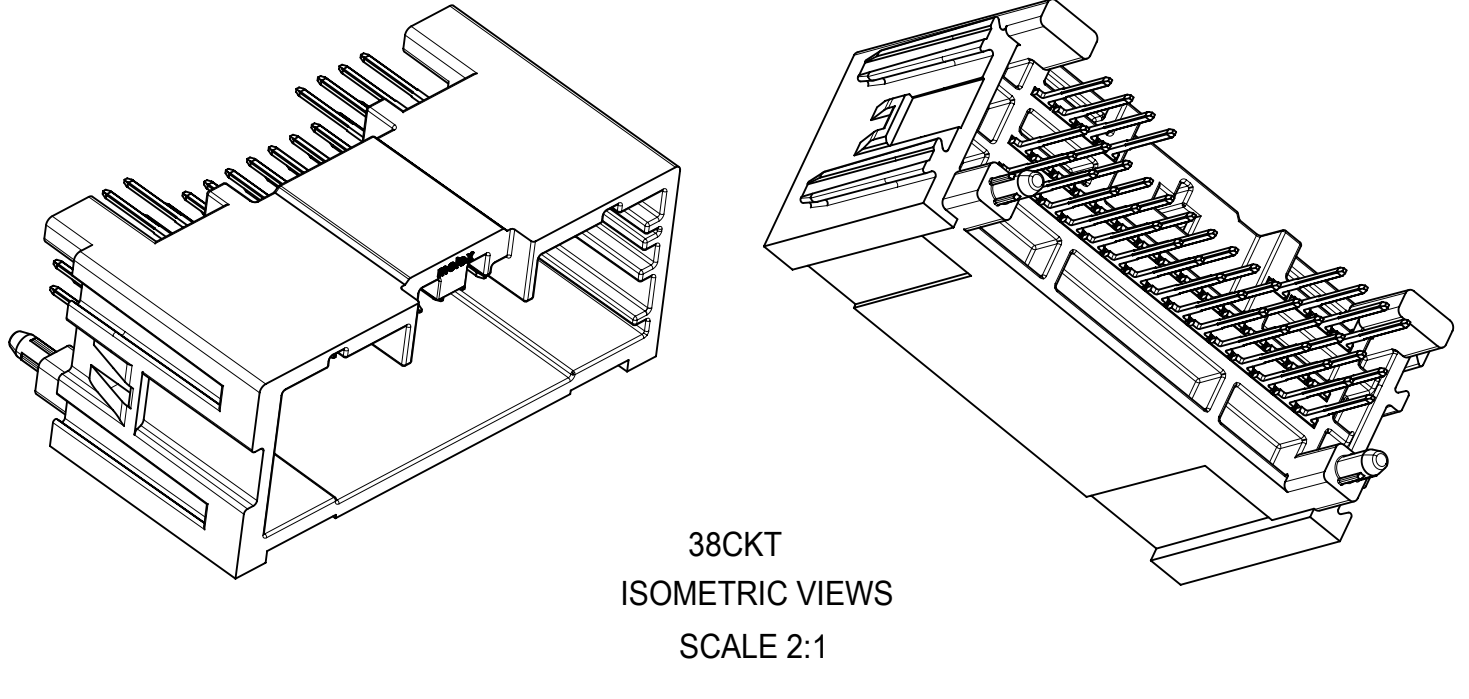
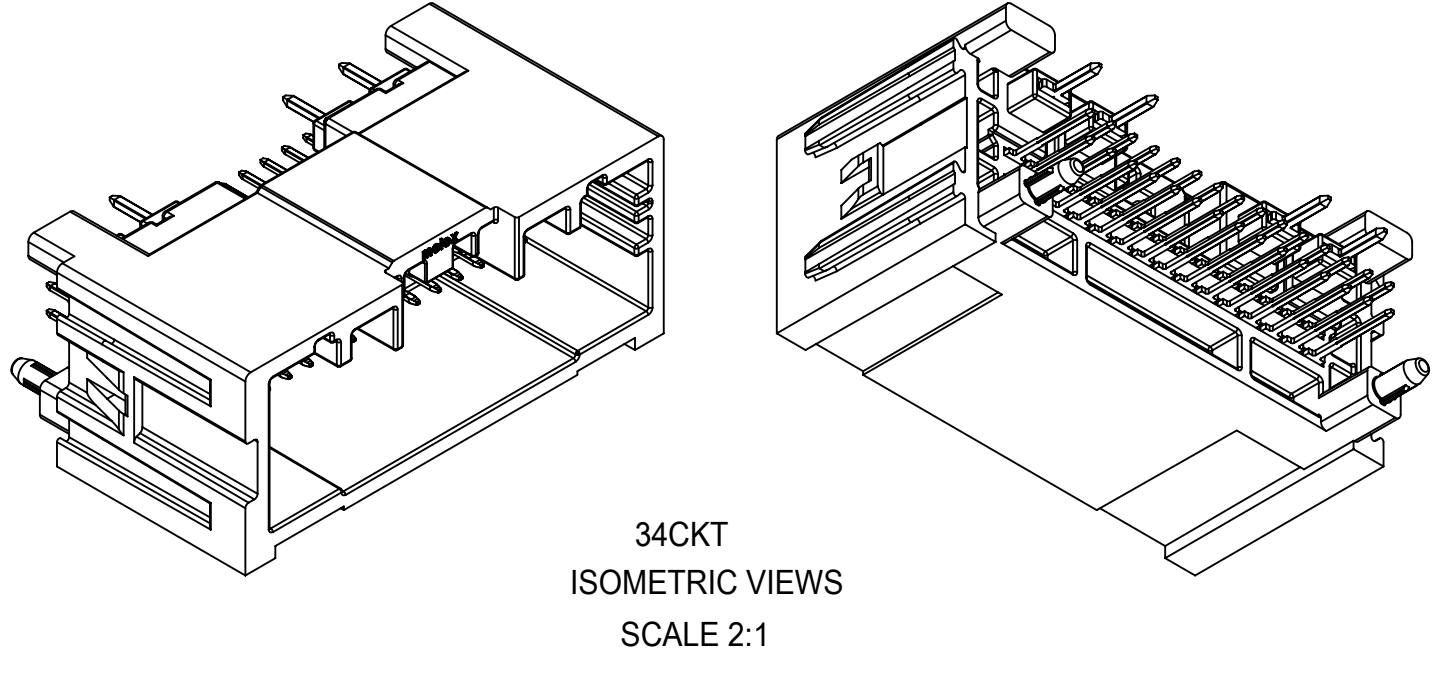


TABLE OF CONTENTS	
SHEET NO.	SHEET DESCRIPTION
1	NOTES, INSPECTION BALLOON NUMBER LOG, NOMINAL DIMENSION RANGE LIST, REV.COLUMN, HEADER ASSEMBLY TABLE, ISOMETRIC VIEW
2	34&38CKT POLARIZATION OPTION VIEW, HB/V0 HEADER DIFFERENCE VIEW
3	DETAIL DIMENSION VIEW
4	REFERENCE PCB LAYOUT



NOTES: VALID UNLESS OTHERWISE SPECIFIED

1. GENERAL:
- a. CONNECTOR HEADER MUST BE VALIDATED TO THE FOLLOWING FUNCTIONAL REQUIREMENTS:  
 HB VALIDATION SPECIFICATION = GMW3191 JUNE 2012  
 V0 VALIDATION SPECIFICATION = USCAR-2 REV. 6  
 SOLDERABILITY = SMES-152
  - b. REFERENCE DOCUMENTS:  
 APPLICATION SPECIFICATION: AS-34959-001  
 TEST SUMMARY:  
 HB: TS-34959-001  
 V0: 2133550000-TS  
 PRODUCT SPECIFICATION:  
 HB: PS-34959-001  
 V0: 2133550000-PS  
 COSMETIC SPECIFICATION: PS-45499-002 Class B  
 GEOMETRIC TOLERANCING: SEE DIN 16901 TABLE  
 MATES WITH: SD-34959-030  
 PACKAGING SPECIFICATION: SEE TABLE

- ① 2. DESIGN MATERIALS:
- a. HEADER HSG (PLASTIC HOUSING):  
 HB RESIN - SPS  
 V0 RESIN - SPS
  - b. 0.50mm BLADES:  
 BASE MATERIAL: BRASS  
 PLATING TYPE: AS NOTED
  - c. 1.2mm BLADES:  
 BASE MATERIAL: BRASS  
 PLATING TYPE: AS NOTED
3. PLATING REQUIREMENTS:
- a. UNDERPLATING - OVERALL NICKEL
  - b. OVERPLATING - OVERALL REFLOWED TIN

① 4. CROSS-HATCHED AREAS MAKE CONTACT WITH PCB

34&38CKT VERTICAL HEADER ASSEMBLY TABLE (FULL PINS)

MATERIAL NUMBER			CKT SIZE	FLAMMABILITY UL94	POL	COLOR	STATUS
TRAY PACKAGING PK-31302-070	TUBE PACKAGING PK-31301-688	TAPE AND REEL PK-47799-0001					
34958-0340	34958-7340	34958-8340	34	HB	A	BLACK	SALEABLE
34958-0341	34958-7341	34958-8341	34	HB	B	GREY	SALEABLE
34958-0342	34958-7342	34958-8342	34	HB	C	DK GREY	SALEABLE
34958-0380	34958-7380	34958-8380	38	HB	A	BLACK	OBSOLETE
34958-0381	34958-7381	34958-8381	38	HB	B	GREY	OBSOLETE
34958-0382	34958-7382	34958-8382	38	HB	C	DK GREY	OBSOLETE
34958-0383	34958-7383	34958-8383	38	HB	UPDATED A	BLACK	SALEABLE
34958-0384	34958-7384	34958-8384	38	HB	UPDATED B	GREY	SALEABLE
34958-0385	34958-7385	34958-8385	38	HB	UPDATED C	DK GREY	SALEABLE
2133820340	2133827340	2133828340	34	V0	A	BLACK	OK TO TOOL
2133820341	2133827341	2133828341	34	V0	B	GREY	OK TO TOOL
2133820342	2133827342	2133828342	34	V0	C	DK GREY	OK TO TOOL
2133820380	2133827380	2133828380	38	V0	UPDATED A	BLACK	OK TO TOOL
2133820381	2133827381	2133828381	38	V0	UPDATED B	GREY	OK TO TOOL
2133820382	2133827382	2133828382	38	V0	UPDATED C	DK GREY	OK TO TOOL

38CKT VERTICAL HEADER ASSEMBLY TABLE (DEPOPULATED PINS)

DESCRIPTION	MATERIAL NUMBER			POL	COLOR	QTY OF PIN	PIN CONFIGURATION																STATUS							
	TRAY PACKAGING PK-31302-070	TUBE PACKAGING PK-31301-688	TAPE AND REEL PK-47799-0001				1	2	3	4	5	6	7	8	9	10	11	12	13	14	15	16		17	18	19	20	21	22	23
	24	25	26				27	28	29	30	31	32	33	34	35	36	37	38												
38CKT MINI50 VERTICAL HEADER ASSEMBLY	34958-1380	34958-6380	TBD	UPDATED B	GREY	14	-	-	X	X	-	-	-	-	-	-	X	X	-	-	-	-	-	X	X	-	SALEABLE			
							X	X	-	-	X	X	-	-	-	-	-	X	X	-	-	-	-	X	X	X				

DIN 16901	CODE LETTER	NOMINAL DIMENSION RANGE													
		OVER UP TO	0	1	3	6	10	15	22	30	40	53	70	90	120
PRECISION ENGINEERING	A	±0.10	±0.12	±0.14	±0.16	±0.20	±0.22	±0.24	±0.26	±0.28	±0.31	±0.35	±0.40	±0.50	
	B	±0.05	±0.06	±0.07	±0.08	±0.10	±0.12	±0.14	±0.16	±0.18	±0.21	±0.25	±0.30	±0.40	

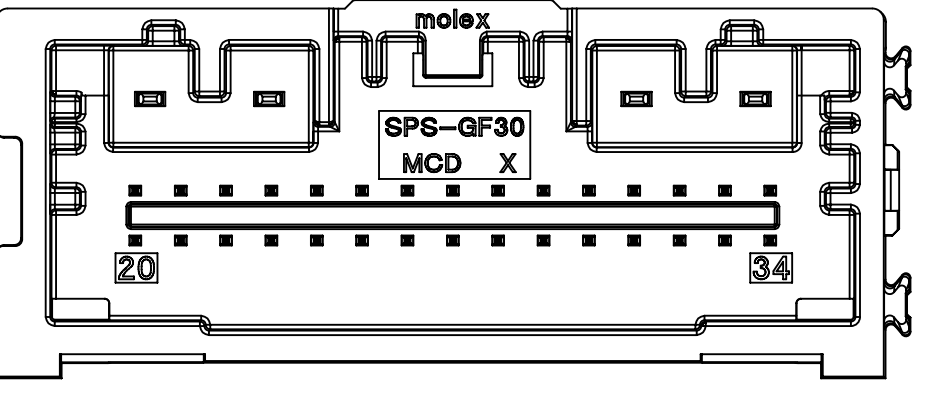
A: FOR NON-MOLD RELATED DIMENSIONS (ACROSS PARTING LINE)  
 B: FOR MOLD RELATED DIMENSIONS (WITHIN MOLD COMPONENTS)

INSPECTION BALLOON NUMBER LOG	
PER DRAWING REVISION:	D1
LAST BALLOON NUMBER USED:	26
ADDED BALLOON NUMBERS:	1a, 8 - 26
REMOVED BALLOON NUMBERS:	

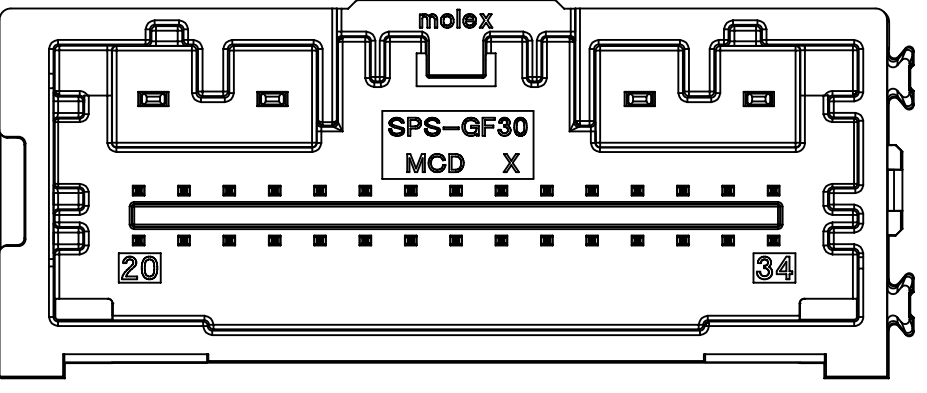
D1	1. SHEET 1: UPDATED NOTES INFORMATION 2. SHEET 3: ADDED DIM 1a, DIM8 - DIM26 3. SHEET 3: ADDED 'BEFORE SOLDERING ' NOTE TO DIM 1	672161
D	1. SHEET 1: UPDATED PRODUCT STATUS IN ASSEMBLY TABLE 2. SHEET 1: ADDED DEPOPULATED PINS AND V0 PART NUMBER IN ASSEMBLY TABLE 3. SHEET 1: UPDATED NOTES INFORMATION 4. SHEET 2: SHOWED 34&38CKT POLARIZATION OPTION AND HB / V0 VERSION DIFFERENCE 5. SHEET 3: UPDATED REFERENCE PCB LAYOUT DIMENSION 6. SHEET 3: REMOVED DIM 8 7. SHEET 3: DIM 1: 10.77±0.18 WAS 10.77(+0.13, -0.08 )	633345
C1	UPDATED NEWEST VIEW OF THE POLARIZATION OPTION UPDATED A & B & C.	609591
C	ADDED NEW P/N IN THE BOM ON SHEET 1: 34958-0383 \ 34958-0384 \ 34958-0385\34958-7383\34958-7384\34958-7385\34958-8383\34958-8384\34958-8385. ADDED PRODUCT STATUS IN THE BOM.	10886111
REV	REV DESCRIPTION	ECN SAP NO.

FUNCTIONAL SYMBOLS	THIS DRAWING CONTAINS INFORMATION THAT IS PROPRIETARY TO MOLEX ELECTRONIC TECHNOLOGIES, LLC AND SHOULD NOT BE USED WITHOUT WRITTEN PERMISSION	
FA = 0	DIMENSION UNITS: mm	SCALE: 2:1
FC = 0	CURRENT REV DESC:	
FP = 0	GENERAL TOLERANCES (UNLESS SPECIFIED)	
DIVISIONAL SYMBOLS	ANGULAR TOL ± °	EC NO: 672161
	4 PLACES ±	DRWN: SWU31 2021/07/27
	3 PLACES ±	CHK'D: CDZHANG 2021/08/11
	2 PLACES ±	APPR: CDZHANG 2021/08/11
	1 PLACE ±	INITIAL REVISION:
	0 PLACES ±	DRWN: JFISCHER01 2013/12/05
		APPR: RBAUMAN 2014/02/19
DRAFT WHERE APPLICABLE MUST REMAIN WITHIN DIMENSIONS	THIRD ANGLE PROJECTION	DRAWING SERIES
	D-DRAWING	SERIES
	D-DRAWING	34958
		MATERIAL NUMBER CUSTOMER
		SD-34958-300 PSD 001 D1
		GENERAL MARKET SHEET NUMBER
		1 OF 4

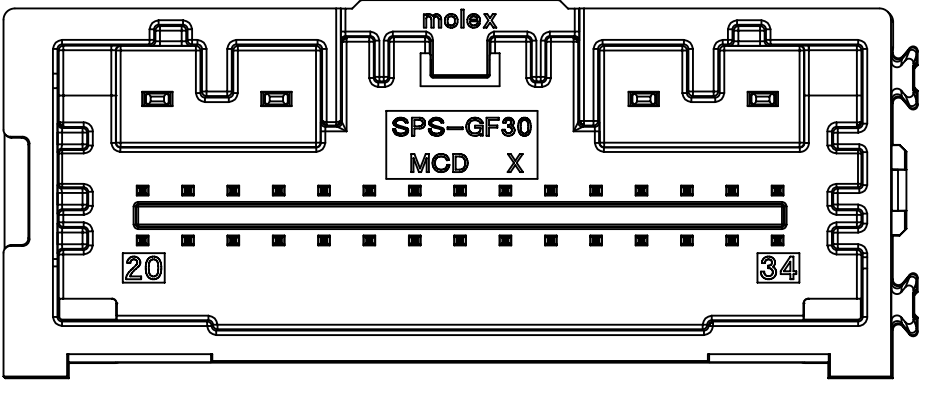
TABLE OF CONTENTS	
SHEET NO.	SHEET DESCRIPTION
2	34&38CKT POLARIZATION OPTION VIEW, HB/V0 HEADER DIFFERENCE VIEW



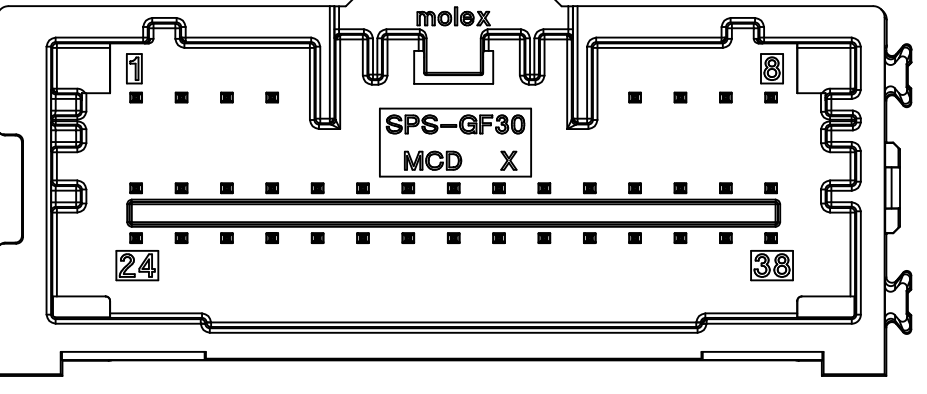
34CKT POLARIZATION OPTION 'A'



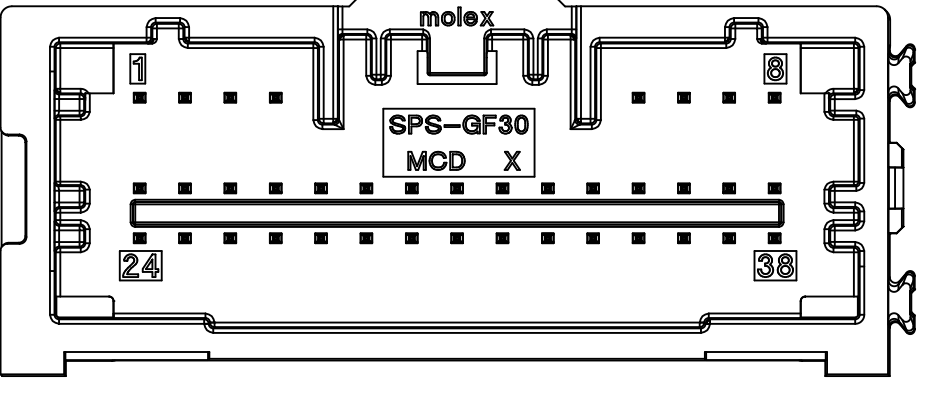
34CKT POLARIZATION OPTION 'B'



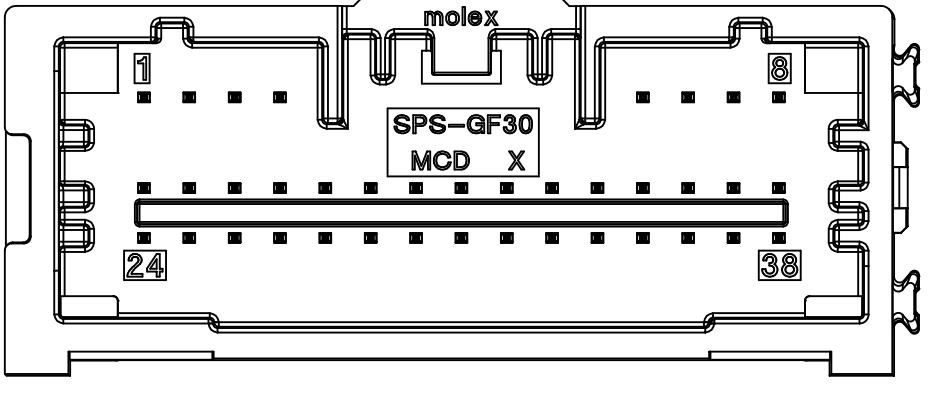
34CKT POLARIZATION OPTION 'C'



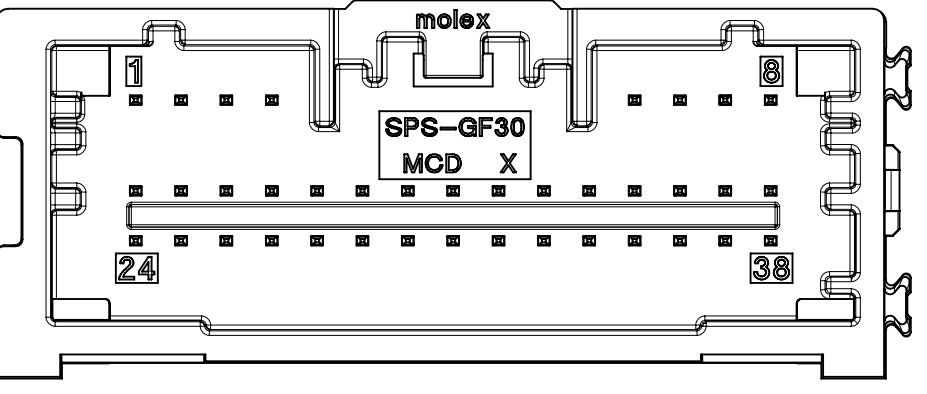
38CKT POLARIZATION OPTION 'A'



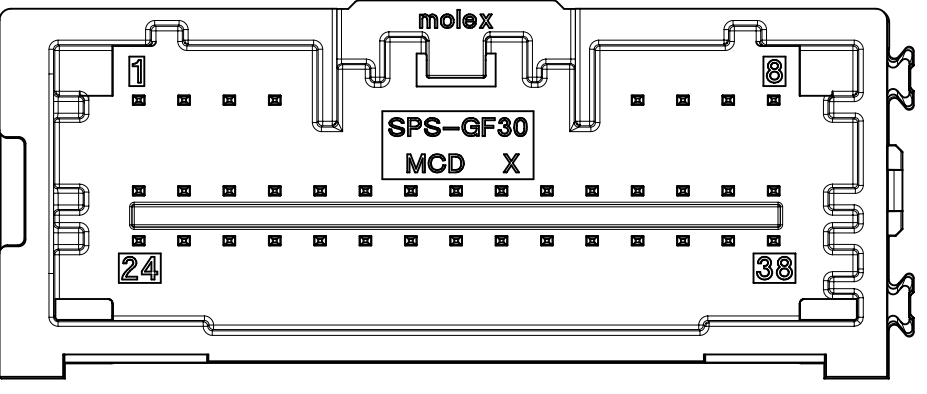
38CKT POLARIZATION OPTION 'B'



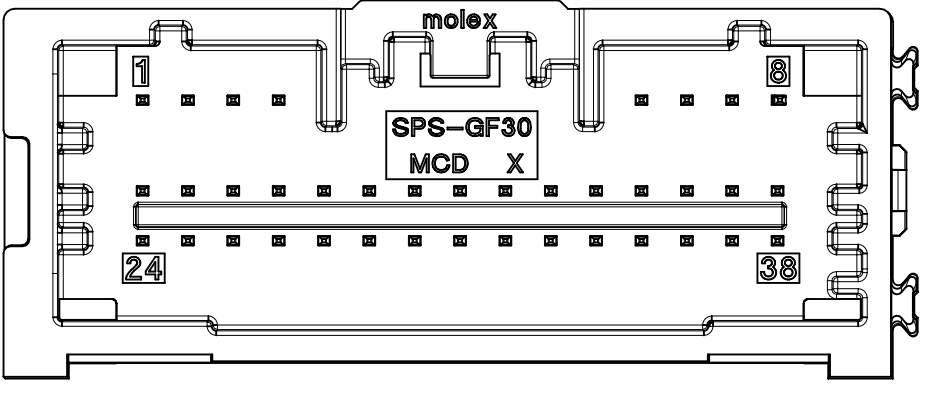
38CKT POLARIZATION OPTION 'C'



38CKT POLARIZATION OPTION 'UPDATED A'

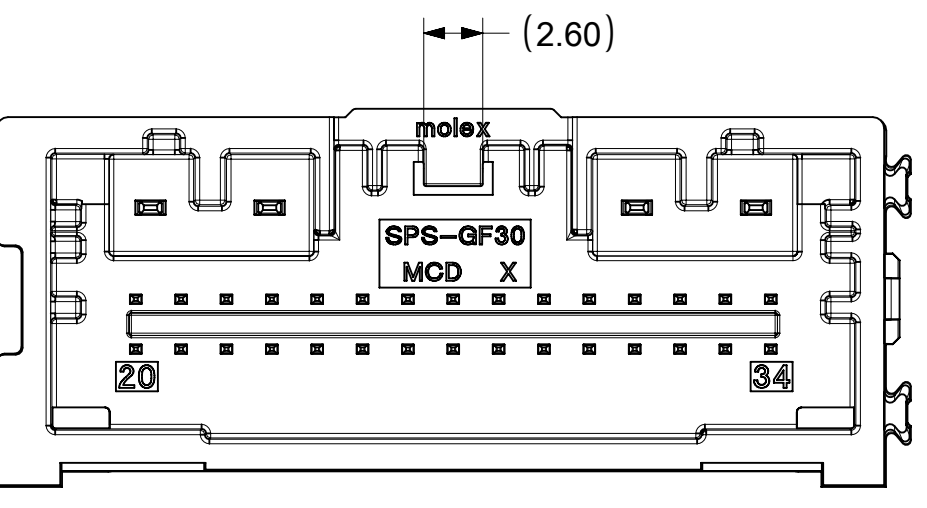


38CKT POLARIZATION OPTION 'UPDATED B'

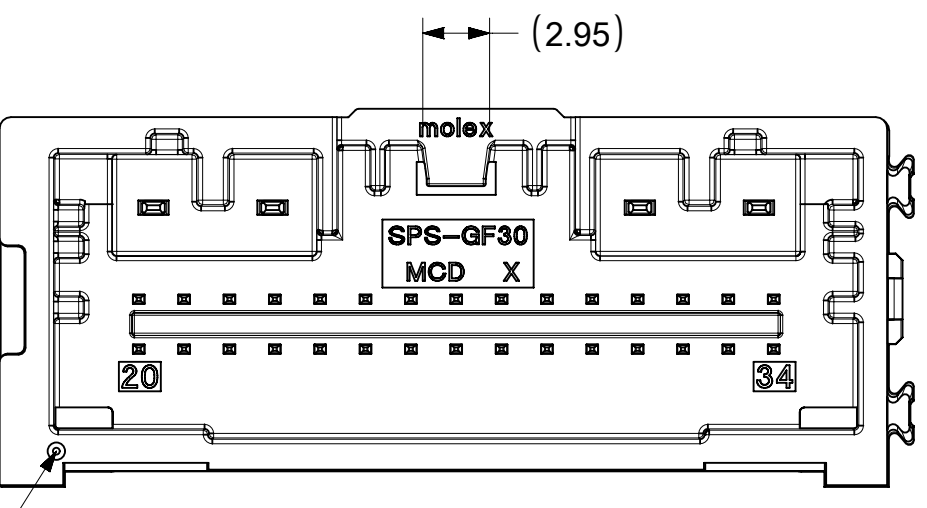


38CKT POLARIZATION OPTION 'UPDATED C'

HB / V0 VERSION DIFFERENCE



HB P/Ns: 34958XXXX  
APPLIES TO ALL CKT SIZES, USE 34CKT AS SHOWN

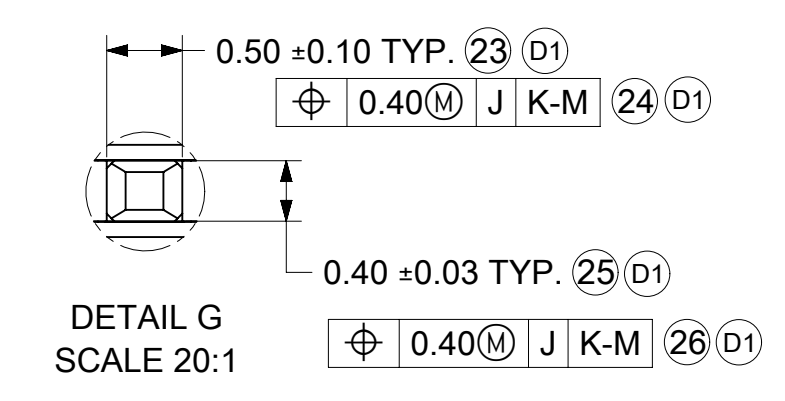
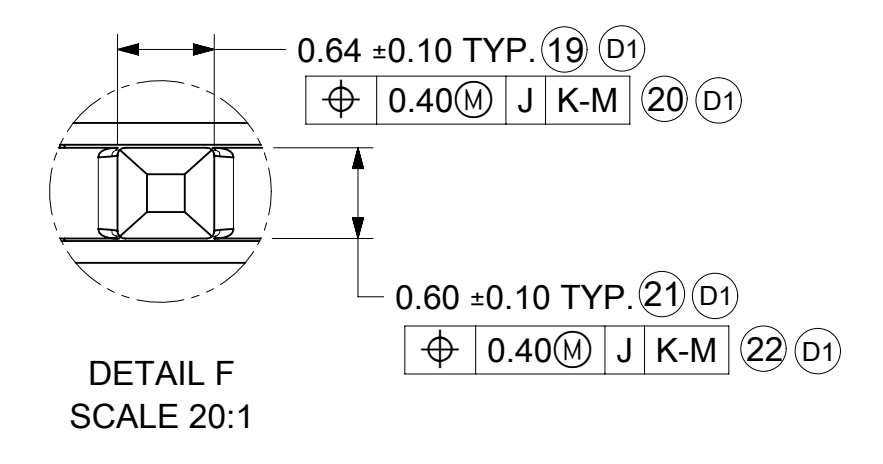
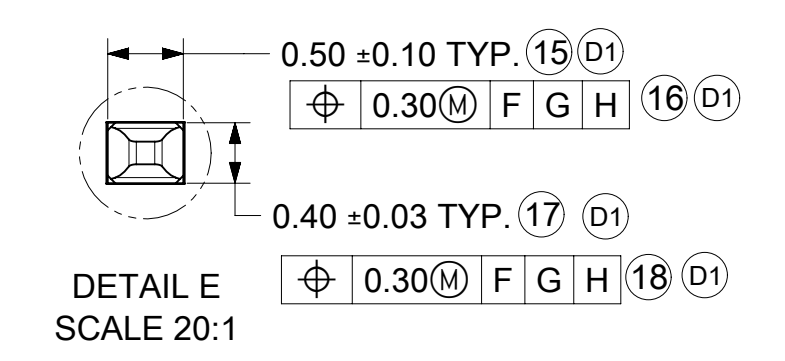
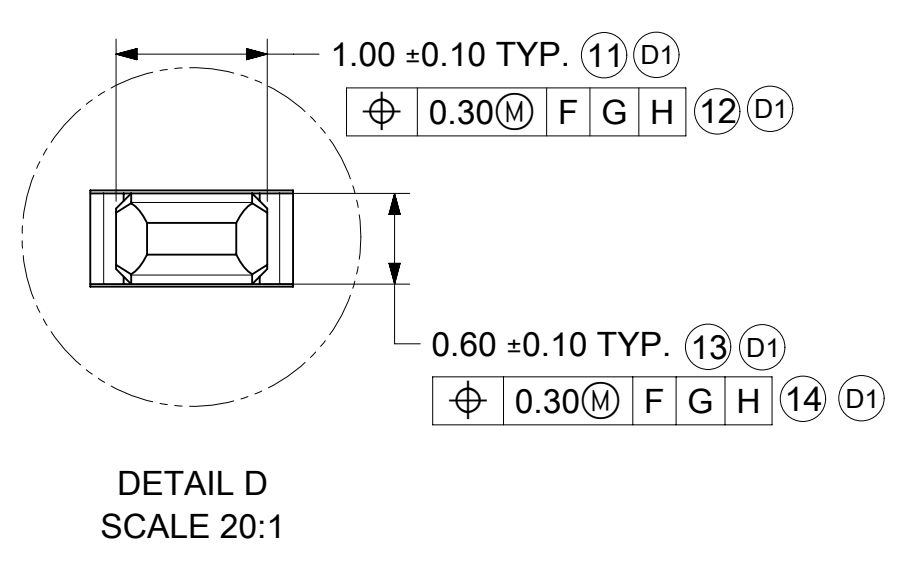
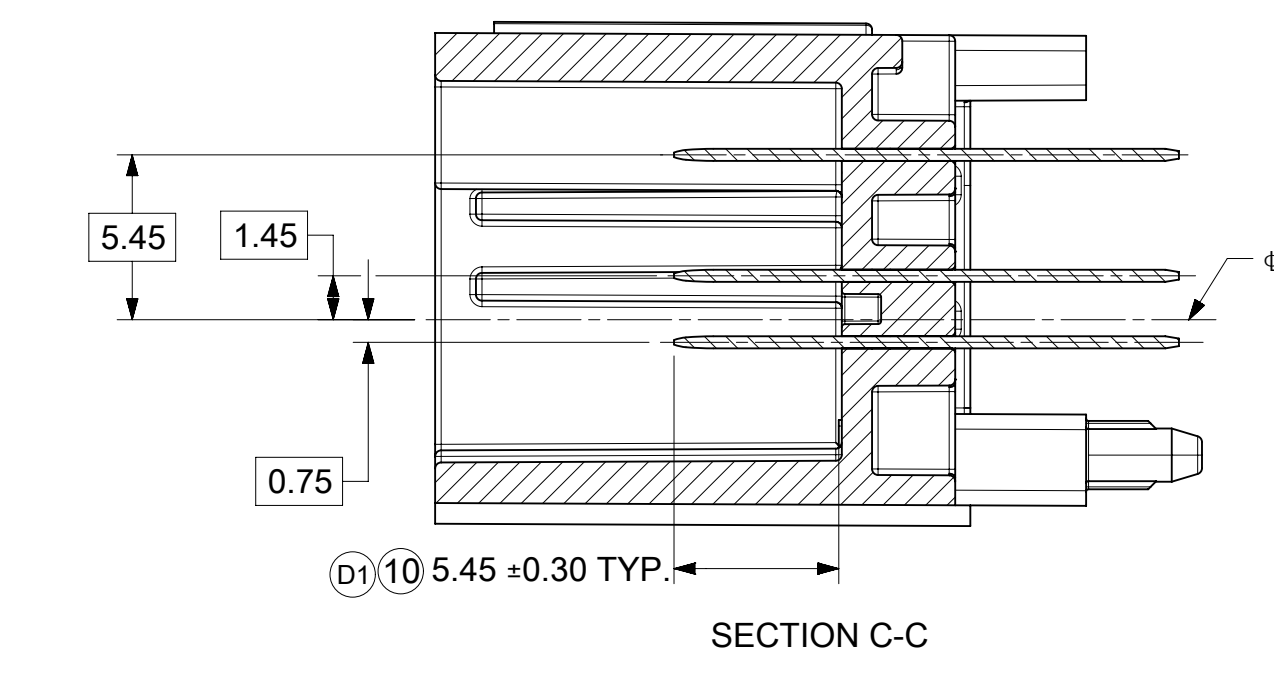
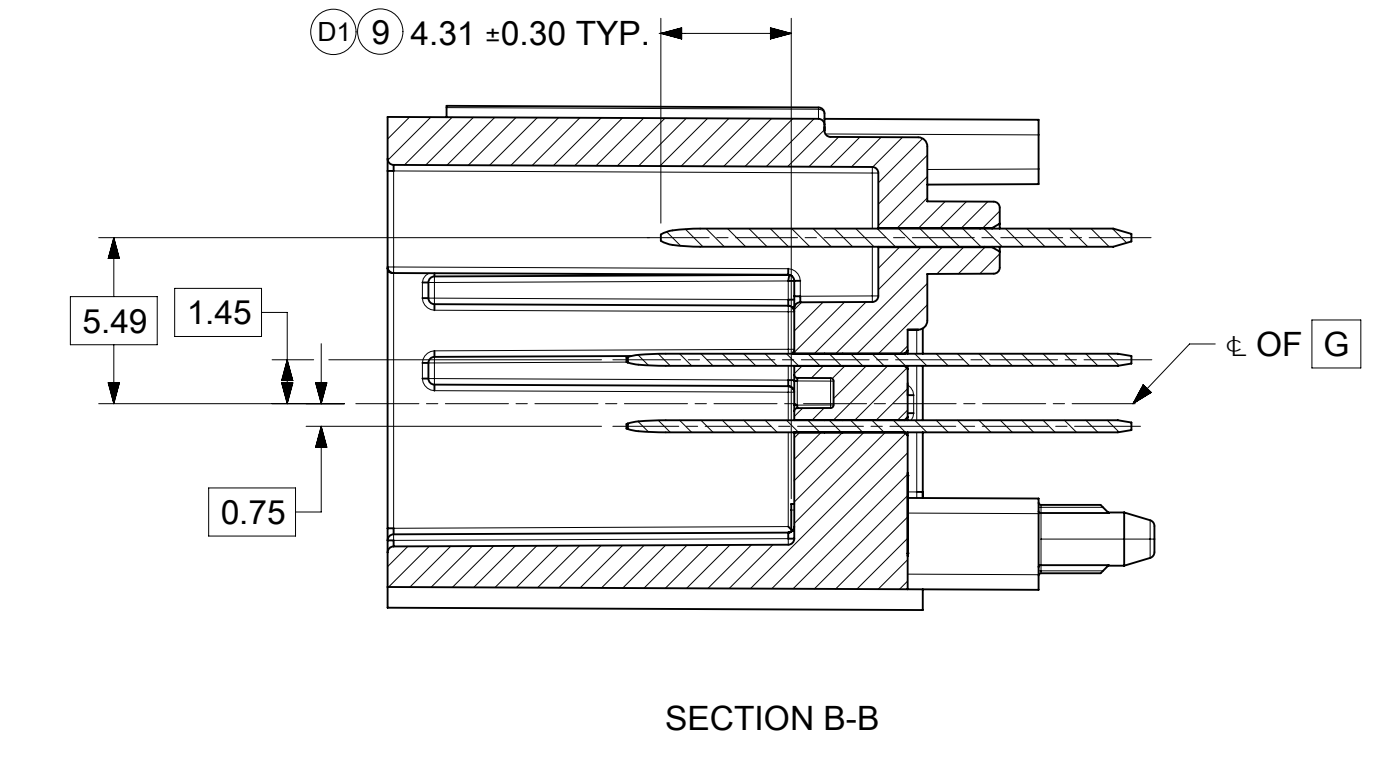
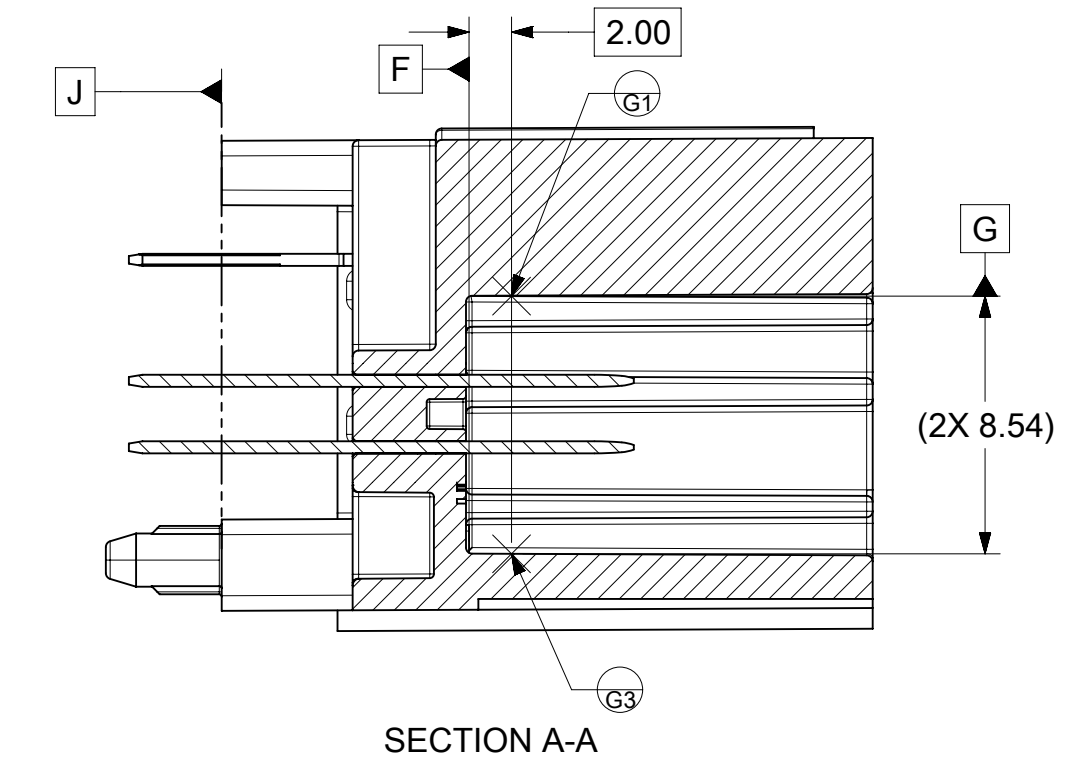
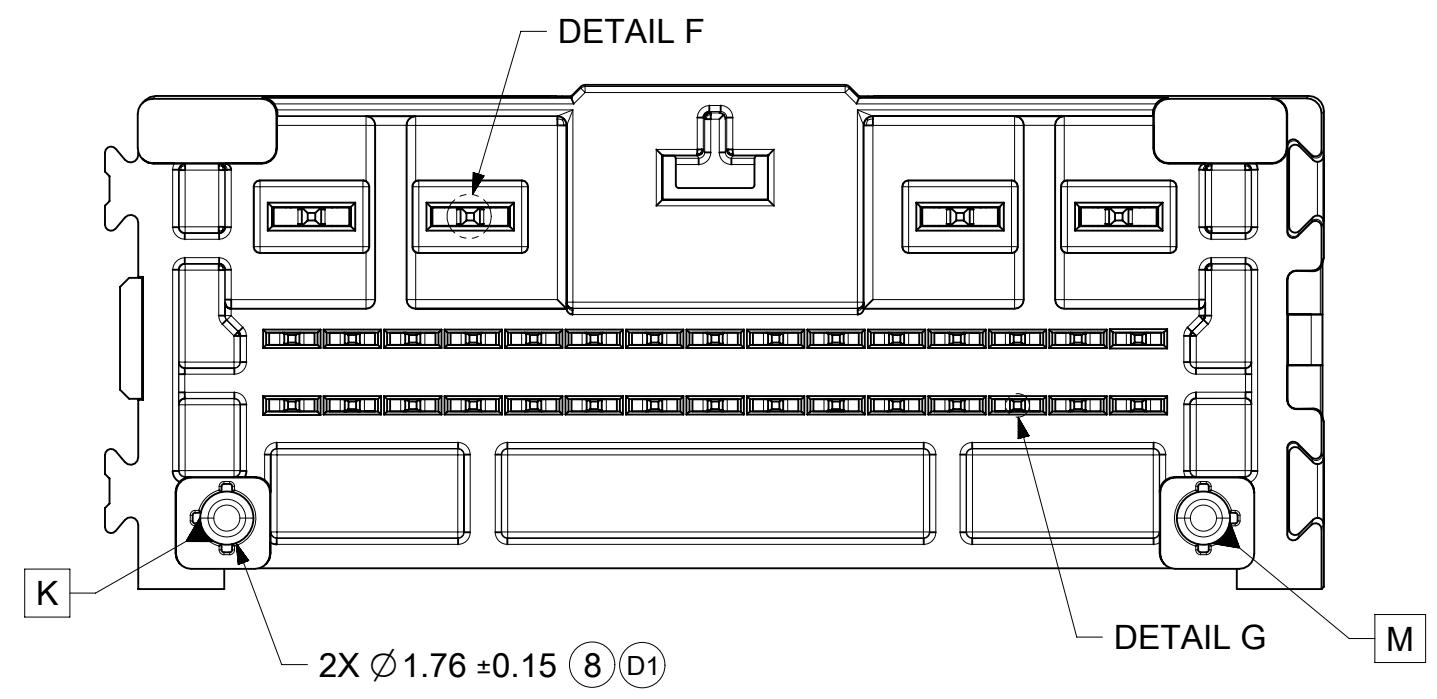
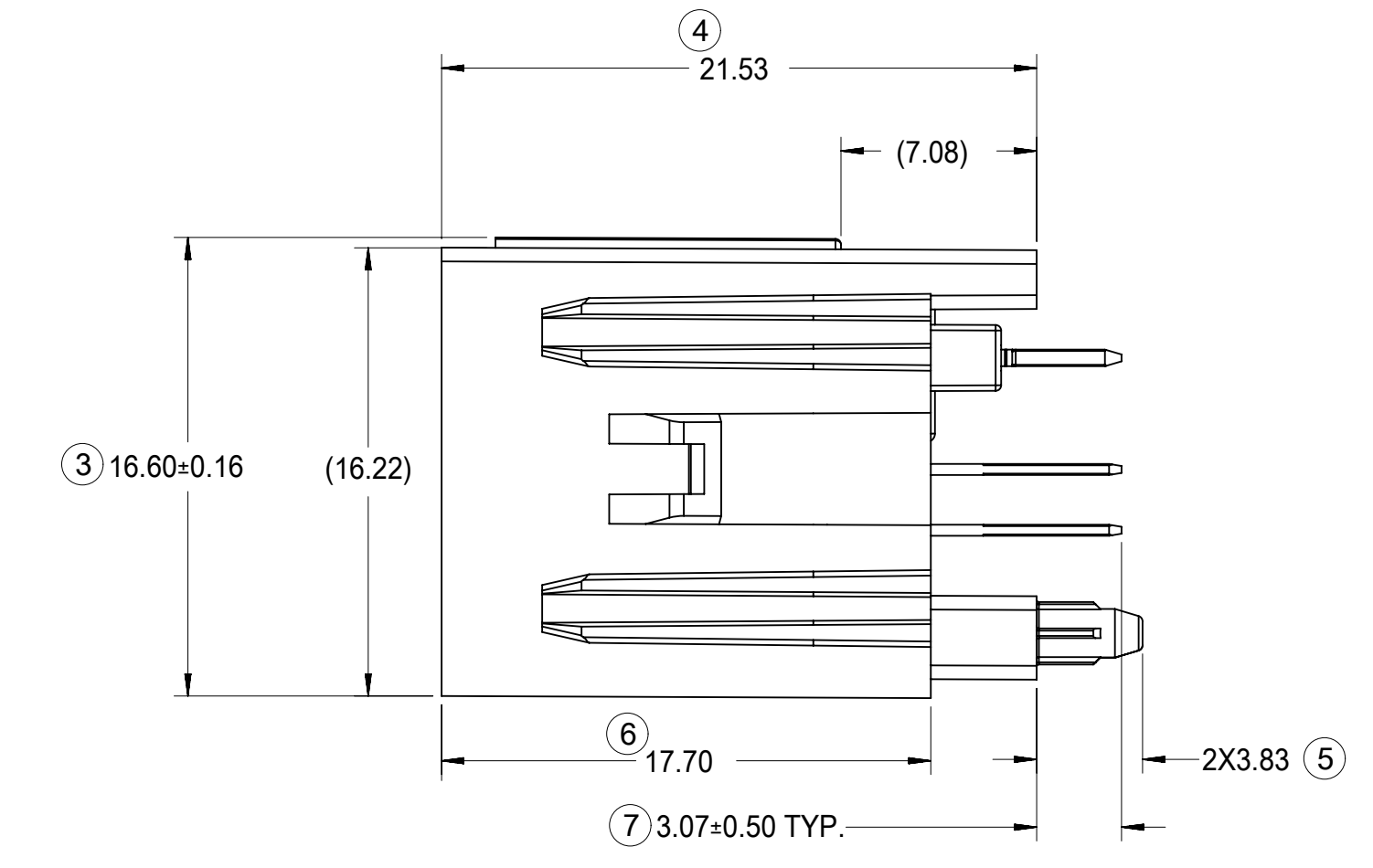
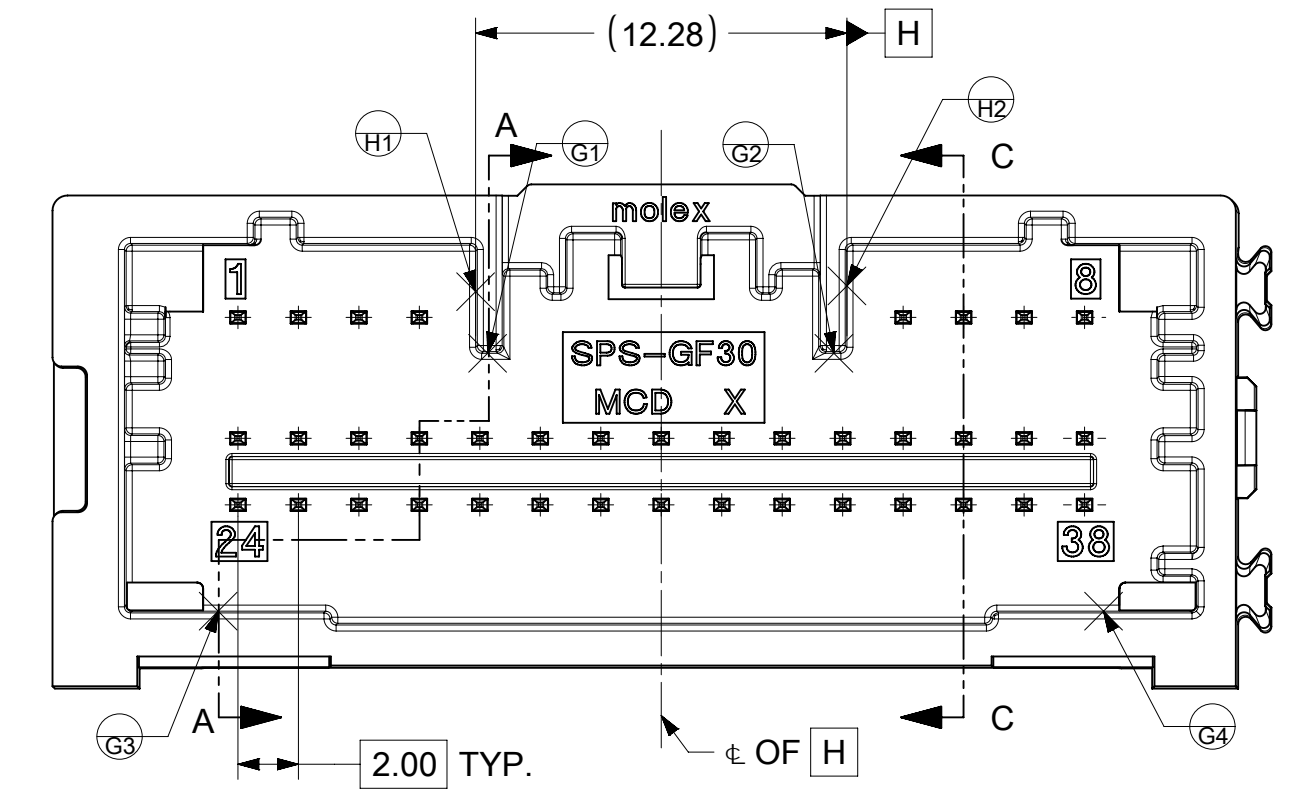
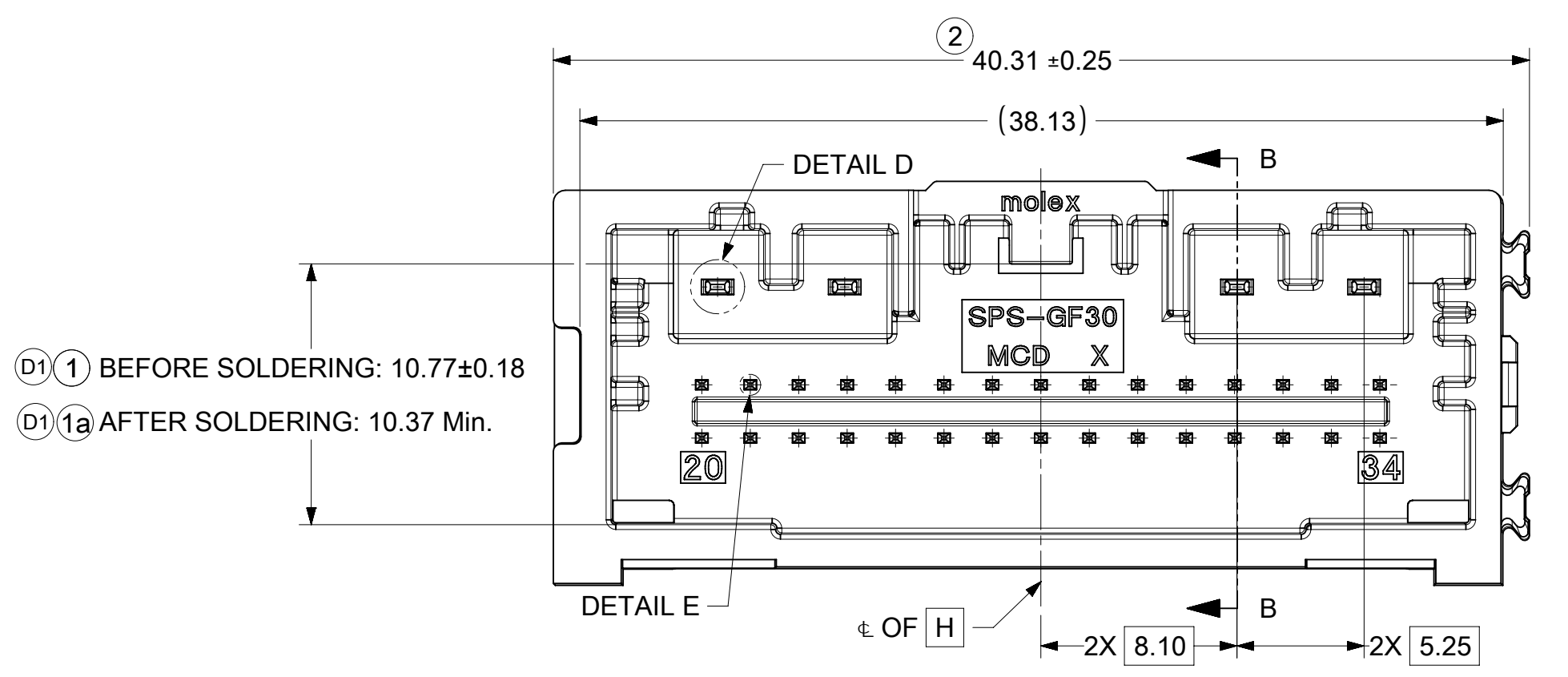


DEPRESSION FEATURE ADDED TO V0 PART TO DISTINGUISH FROM HB PART

V0 P/Ns: 213382XXXX  
APPLIES TO ALL CKT SIZES, USE 34CKT AS SHOWN

FUNCTIONAL SYMBOLS	THIS DRAWING CONTAINS INFORMATION THAT IS PROPRIETARY TO MOLEX ELECTRONIC TECHNOLOGIES, LLC AND SHOULD NOT BE USED WITHOUT WRITTEN PERMISSION		CURRENT REV DESC:				
	DIMENSION UNITS	SCALE					
$\nabla_A = 0$	mm	3:1	EC NO: 672161 DRWN: SWU31 2021/07/27 CHK'D: CDZHANG 2021/08/11 APPR: CDZHANG 2021/08/11 INITIAL REVISION: DRWN: JFISCHER01 2013/12/05 APPR: RBAUMAN 2014/02/19	34 & 38 CKT MINI50			
$\nabla_C = 0$	GENERAL TOLERANCES (UNLESS SPECIFIED)			VERTICAL HEADER ASSEMBLY SALES DRAWING			
$\nabla_P = 0$	ANGULAR TOL	± °		PRODUCT CUSTOMER DRAWING			
DIVISIONAL SYMBOLS	4 PLACES	±		DOCUMENT NUMBER	DOC TYPE	DOC PART	REVISION
	3 PLACES	±		SD-34958-300	PSD	001	D1
	2 PLACES	±	MATERIAL NUMBER	CUSTOMER	SHEET NUMBER		
	1 PLACE	±		GENERAL MARKET	2 OF 4		
	0 PLACES	±					
DRAFT WHERE APPLICABLE MUST REMAIN WITHIN DIMENSIONS			THIRD ANGLE PROJECTION	DRAWING	SERIES		
				D-SIZE	34958		

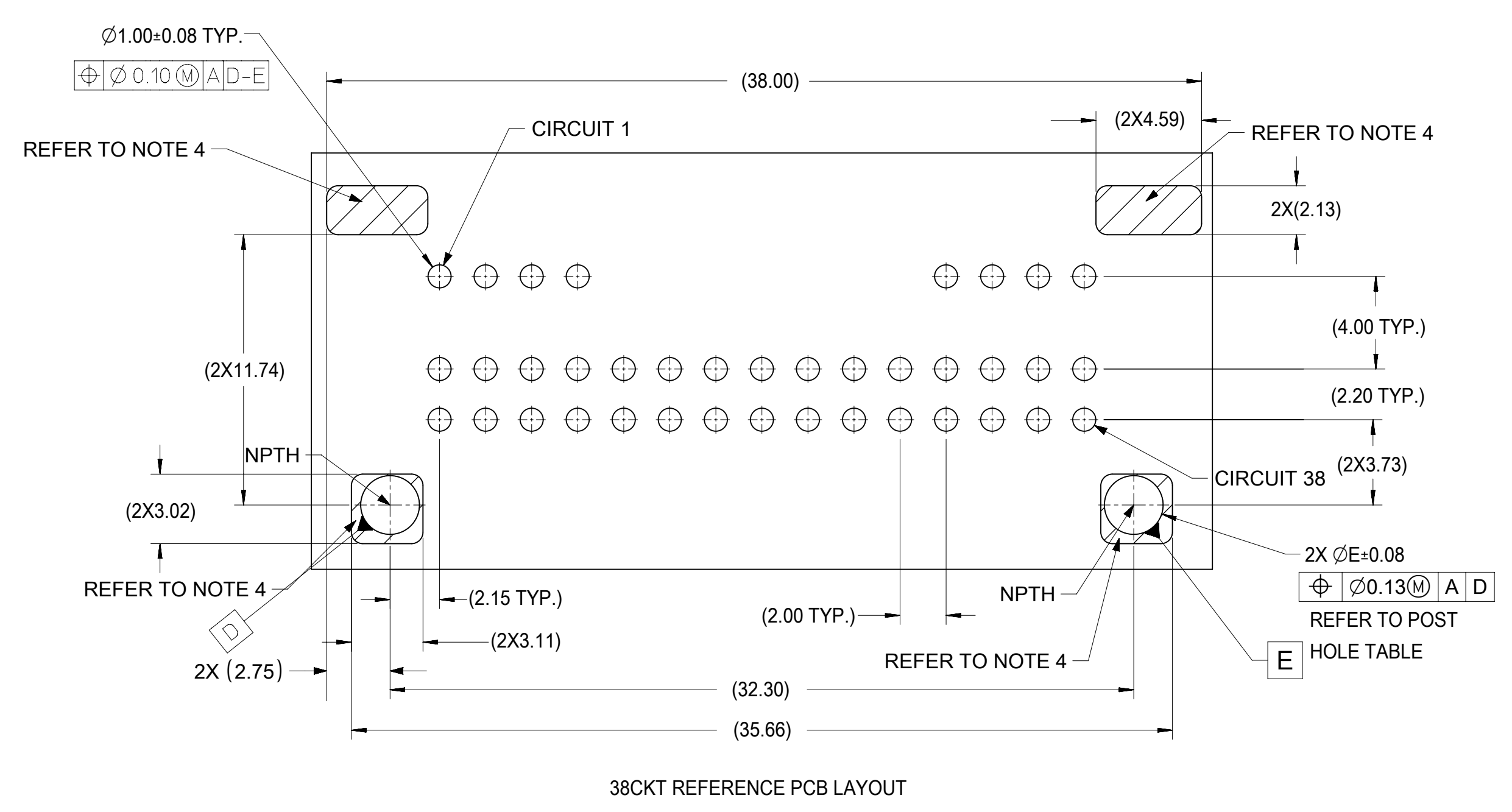
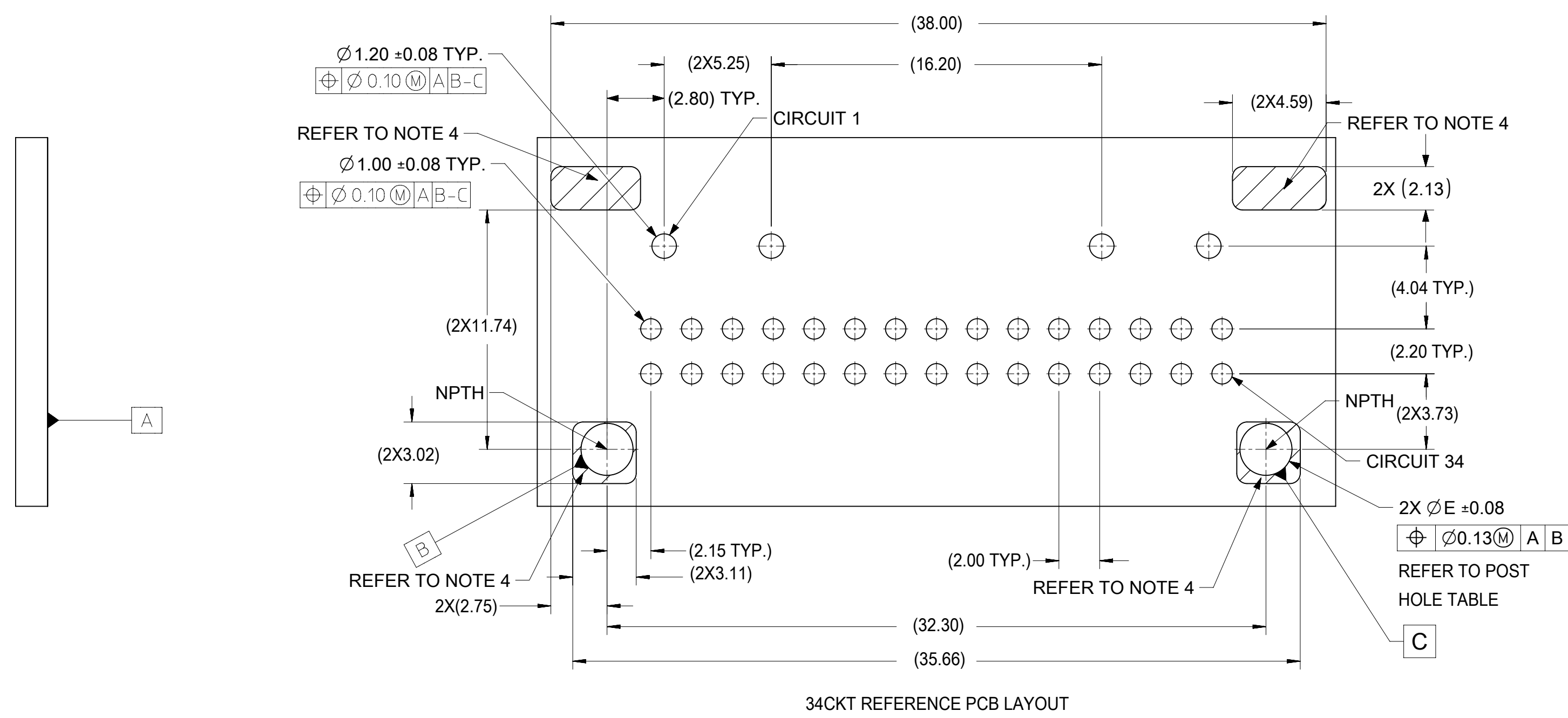
TABLE OF CONTENTS	
SHEET NO.	SHEET DESCRIPTION
3	DETAIL DIMENSION VIEW



FUNCTIONAL SYMBOLS	THIS DRAWING CONTAINS INFORMATION THAT IS PROPRIETARY TO MOLEX ELECTRONIC TECHNOLOGIES, LLC AND SHOULD NOT BE USED WITHOUT WRITTEN PERMISSION		CURRENT REV DESC:		
	FA = 0	mm	SCALE 4:1		
DIVISIONAL SYMBOLS	GENERAL TOLERANCES (UNLESS SPECIFIED)		EC NO: 672161		<b>34 &amp; 38 CKT MINI50 VERTICAL HEADER ASSEMBLY SALES DRAWING</b>
	FC = 0	ANGULAR TOL ± °		DRWN: SWU31 2021/07/27	
	FD = 0	4 PLACES ±	CHK'D: CDZHANG 2021/08/11		PRODUCT CUSTOMER DRAWING
	3 PLACES ±	APPR: CDZHANG 2021/08/11		INITIAL REVISION:	DOCUMENT NUMBER
	2 PLACES ±	DRWN: JFISCHER01 2013/12/05		DRWN: JFISCHER01 2014/02/19	SD-34958-300
1 PLACE ±	APPR: RBAUMAN		APPR: RBAUMAN	PSD 001 D1	
0 PLACES ±	DRAFT WHERE APPLICABLE MUST REMAIN WITHIN DIMENSIONS		THIRD ANGLE PROJECTION	DRAWING D-SIZE	SERIES 34958
MATERIAL NUMBER		CUSTOMER		SHEET NUMBER	
GENERAL MARKET		GENERAL MARKET		3 OF 4	

DOCUMENT STATUS	P1	RELEASE DATE	2021/08/11	04:03:04
-----------------	----	--------------	------------	----------

TABLE OF CONTENTS	
SHEET NO.	SHEET DESCRIPTION
4	REFERENCE PCB LAYOUT



POST HOLE TABLE:

FOR DIM E :	
PRESS FIT :	2.15
DROP IN :	2.55

<b>FUNCTIONAL SYMBOLS</b> $\nabla_A = 0$ $\nabla_C = 0$ $\nabla_D = 0$	THIS DRAWING CONTAINS INFORMATION THAT IS PROPRIETARY TO MOLEX ELECTRONIC TECHNOLOGIES, LLC AND SHOULD NOT BE USED WITHOUT WRITTEN PERMISSION		CURRENT REV DESC:			
	<b>DIMENSION UNITS</b> mm	<b>SCALE</b> 1:1	EC NO: 672161 DRWN: SWU31 CHK'D: CDZHANG APPR: CDZHANG			2021/07/27 2021/08/11 2021/08/11
	<b>GENERAL TOLERANCES (UNLESS SPECIFIED)</b> ANGULAR TOL $\pm$ °		INITIAL REVISION: DRWN: JFISCHER01 APPR: RBAUMAN			2013/12/05 2014/02/19
	<b>DIVISIONAL SYMBOLS</b> 4 PLACES $\pm$ 3 PLACES $\pm$ 2 PLACES $\pm$ 1 PLACE $\pm$ 0 PLACES $\pm$		DRAFT WHERE APPLICABLE MUST REMAIN WITHIN DIMENSIONS			THIRD ANGLE PROJECTION 
<b>DOCUMENT STATUS</b> P1 <b>RELEASE DATE</b> 2021/08/11 04:03:04		<b>DRAWING</b> D-SIZE <b>SERIES</b> 34958		<b>DOCUMENT NUMBER</b> SD-34958-300 <b>DOC TYPE</b> PSD <b>DOC PART</b> 001 <b>REVISION</b> D1		
<b>MATERIAL NUMBER</b>		<b>CUSTOMER</b> GENERAL MARKET		<b>SHEET NUMBER</b> 4 OF 4		