

MATERIAL NUMBER			CKT SIZE	DESCRIPTION	POL	COLOR
TRAY PACKAGING PK-31300-892	TUBE PACKAGING PK-31301-063	ALT TRAY PACK PK-31300-894				
34691-0200	34691-9200	34691-9204	20	STAC64 RIGHT ANGLE HEADER ASSEMBLY	A	BLACK
34691-0201	34691-9201	TBD	20	STAC64 RIGHT ANGLE HEADER ASSEMBLY	B	GREY
34691-0202	34691-9202	TBD	20	STAC64 RIGHT ANGLE HEADER ASSEMBLY	C	BROWN
34691-0203	34691-9203	TBD	20	STAC64 RIGHT ANGLE HEADER ASSEMBLY	D	GREEN
34691-0160	34691-9160	TBD	16	STAC64 RIGHT ANGLE HEADER ASSEMBLY	A	BLACK
34691-0161	34691-9161	TBD	16	STAC64 RIGHT ANGLE HEADER ASSEMBLY	B	GREY
34691-0162	34691-9162	TBD	16	STAC64 RIGHT ANGLE HEADER ASSEMBLY	C	BROWN
34691-0120	34691-9120	TBD	12	STAC64 RIGHT ANGLE HEADER ASSEMBLY	A	BLACK
34691-0121	34691-9121	TBD	12	STAC64 RIGHT ANGLE HEADER ASSEMBLY	B	GREY
34691-0122	34691-9122	TBD	12	STAC64 RIGHT ANGLE HEADER ASSEMBLY	C	BROWN
34691-0080	34691-9080	TBD	8	STAC64 RIGHT ANGLE HEADER ASSEMBLY	A	BLACK
34691-0081	34691-9081	TBD	8	STAC64 RIGHT ANGLE HEADER ASSEMBLY	B	GREY
34691-0082	34691-9082	TBD	8	STAC64 RIGHT ANGLE HEADER ASSEMBLY	C	BROWN

- NOTES: VALID UNLESS OTHERWISE SPECIFIED
- GENERAL:
 - CONNECTOR HEADER MUST BE VALIDATED TO THE FOLLOWING FUNCTIONAL REQUIREMENTS:
 - POLARIZATION FEATURE EFFECTIVENESS - SEE PRODUCT SPECIFICATION
 - PIN RETENTION - USCAR-2 REV 4
 - SOLDERABILITY - SMES-152
 - APPLICATION REQUIREMENTS (REFERENCE ONLY) FOR:
 - SEE APPLICATION SPECIFICATION - AS-34729-020/AS-31408-100
 - SEE PRODUCT SPECIFICATION - PS-34729-020/PS-31408-100
 - PACKAGING SPECIFICATION: SEE CHART
 - DESIGN: MATERIALS:
 - SHROUD (PLASTIC HOUSING):
 - RESIN - SPS 30%GF - 20% REGRIND MAX. BY WEIGHT
 - 0.64MM PINS:
 - BASE MATERIAL: C26000
 - PLATING TYPE: AS NOTED
 - PIN ALIGNMENT PLATE: NYLAR
 - PLATING REQUIREMENTS:
 - UNDERPLATING - OVERALL NICKEL
 - OVERPLATING - OVERALL TIN
 - INTERFACE: USCAR
 - 064-U-008-2-202
 - 064-U-012-2-203
 - 064-U-016-2-203
 - 064-U-020-2-202

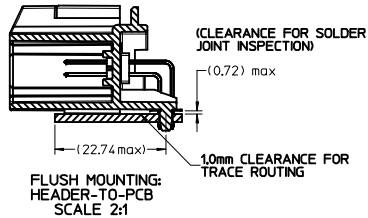
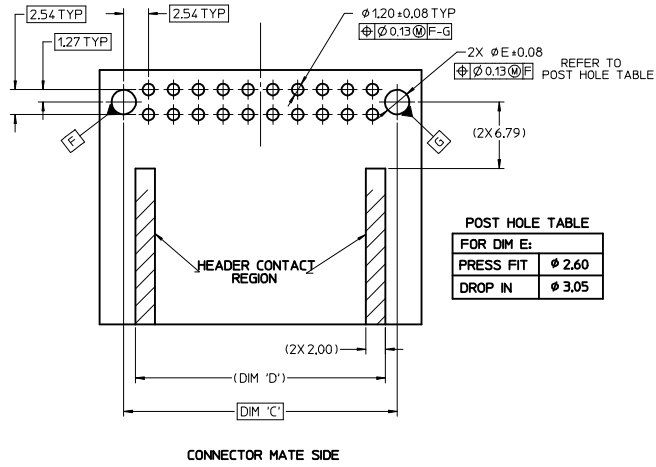
SOME CHAMBERS HAVE BEEN MODIFIED TO IMPROVE POLARIZATION EFFECTIVENESS. SEE AS-34729-002/AS-31408-100.

UPDATED DIMENSIONS EC NO: UAU2007-1044 DRAWN BY: FISCHER01 2017/05/11 CHKD: APPR:RB/MAJAN 2017/05/15 DESCRIPTION:	QUALITY SYMBOLS 	GENERAL TOLERANCES (UNLESS SPECIFIED) <table border="1"> <tr><th></th><th>mm</th><th>INCH</th></tr> <tr><td>4 PLACES</td><td>±.005</td><td>±.0005</td></tr> <tr><td>3 PLACES</td><td>±.008</td><td>±.0008</td></tr> <tr><td>2 PLACES</td><td>±.013</td><td>±.0013</td></tr> <tr><td>1 PLACE</td><td>±.025</td><td>±.0025</td></tr> </table>		mm	INCH	4 PLACES	±.005	±.0005	3 PLACES	±.008	±.0008	2 PLACES	±.013	±.0013	1 PLACE	±.025	±.0025	DIMENSION STYLE MM ONLY	SCALE 2:1	DESIGN UNITS METRIC	THIRD ANGLE PROJECTION
		mm	INCH																		
4 PLACES	±.005	±.0005																			
3 PLACES	±.008	±.0008																			
2 PLACES	±.013	±.0013																			
1 PLACE	±.025	±.0025																			
DRAWN BY: MBAILEY CHECKED BY: EDILLON APPROVED BY: SMARCEAU DATE: 10/02/06 DATE: 04/18/07 DATE: 2010/11/04	TITLE STAC64 SINGLE BAY RIGHT ANGLE ASSEMBLY SALES DRAWING	MATERIAL NO. SEE CHART	DOCUMENT NO. SD-34691-100	SHEET NO. 1 OF 2																	

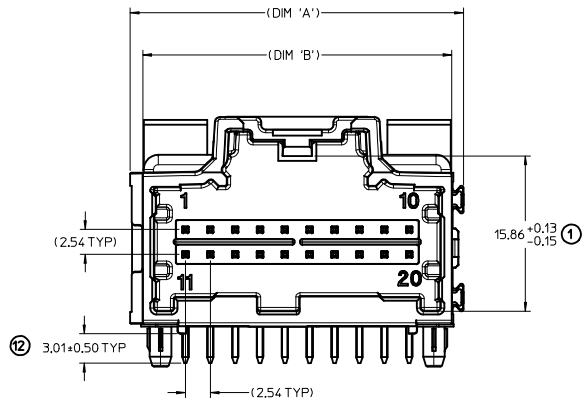
DRAFT WHERE APPLICABLE MUST REMAIN WITHIN DIMENSIONS
 THIS DRAWING CONTAINS INFORMATION THAT IS PROPRIETARY TO MOLEX INCORPORATED AND SHOULD NOT BE USED WITHOUT WRITTEN PERMISSION

CKT SIZE	DIM 'A'	DIM 'B'	DIM 'C'	DIM 'D'
20	34.04	31.57	27.94	25.54
16	28.96	26.49	22.86	20.46
12	23.88	21.41	17.78	15.38
8	18.80	16.53	12.70	10.30

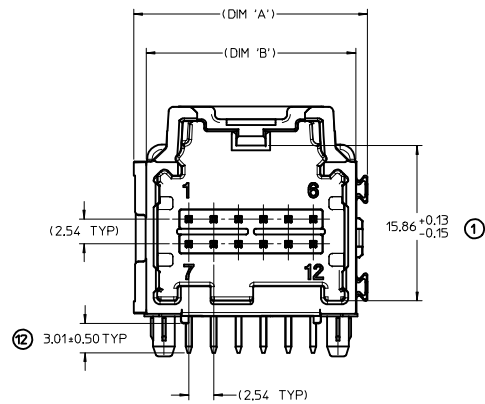
RECOMMENDED PCB LAYOUT



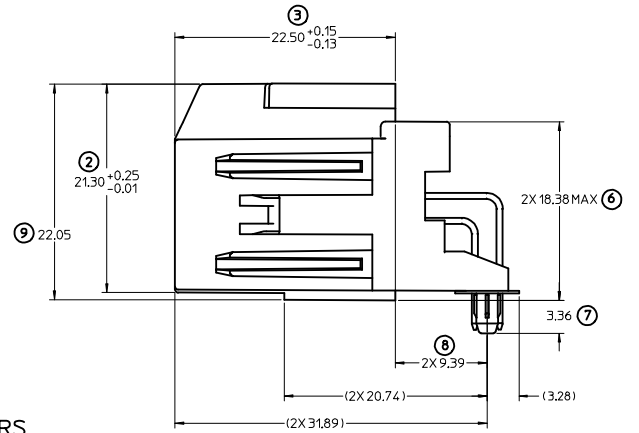
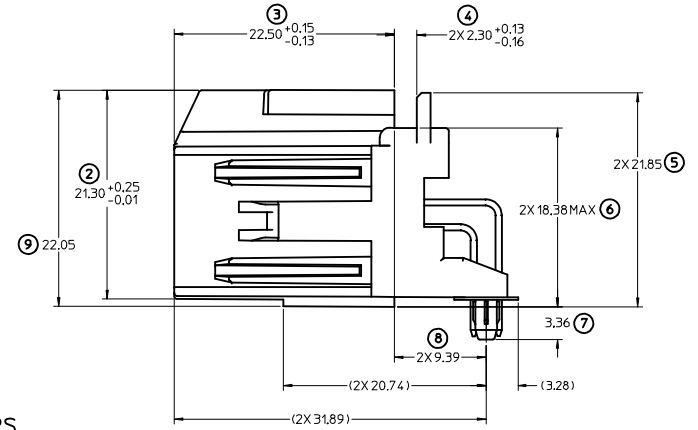
RECOMMENDED FOR WAVE SOLDER
FOR REFLOW CAPABLE PLASTIC PAP SEE:
SD-34691-600



LAYOUT FOR 16 & 20 CKT. HEADERS
(20 CKT. OPTION 'A' SHOWN)



LAYOUT FOR 8 & 12 CKT. HEADERS
(12 CKT. OPTION 'A' SHOWN)



UPDATED DIMENSIONS IEC NO. UAU2017-1044 DRAWN/FISCHER01 2017/05/11 CHKD: APPR:RAJMAN 2017/05/15 REV DESCRIPTION	QUALITY SYMBOLS ▽=0 ▽=0		GENERAL TOLERANCES (UNLESS SPECIFIED)		DIMENSION STYLE MM ONLY		SCALE 4:1	DESIGN UNITS METRIC	THIRD ANGLE PROJECTION
	4 PLACES	±	---	mm	---	---	DRAWN BY	DATE	TITLE
	3 PLACES	±	---	---	---	---	MBAILLEY	10/02/06	STAC64 SINGLE BAY RIGHT ANGLE ASSEMBLY SALES DRAWING
	2 PLACES	±	0.13	---	---	---	CILLON	04/18/07	
1 PLACE	±	0.25	---	---	---	APPROVED BY	DATE	MOLEX INCORPORATED MATERIAL NO. SD-34691-100 DOCUMENT NO.	
DRAFT WHERE APPLICABLE MUST REMAIN WITHIN DIMENSIONS			ANGULAR ± 3°		SEE CHART		SHEET NO. 2 OF 2		
THIS DRAWING CONTAINS INFORMATION THAT IS PROPRIETARY TO MOLEX INCORPORATED AND SHOULD NOT BE USED WITHOUT WRITTEN PERMISSION									