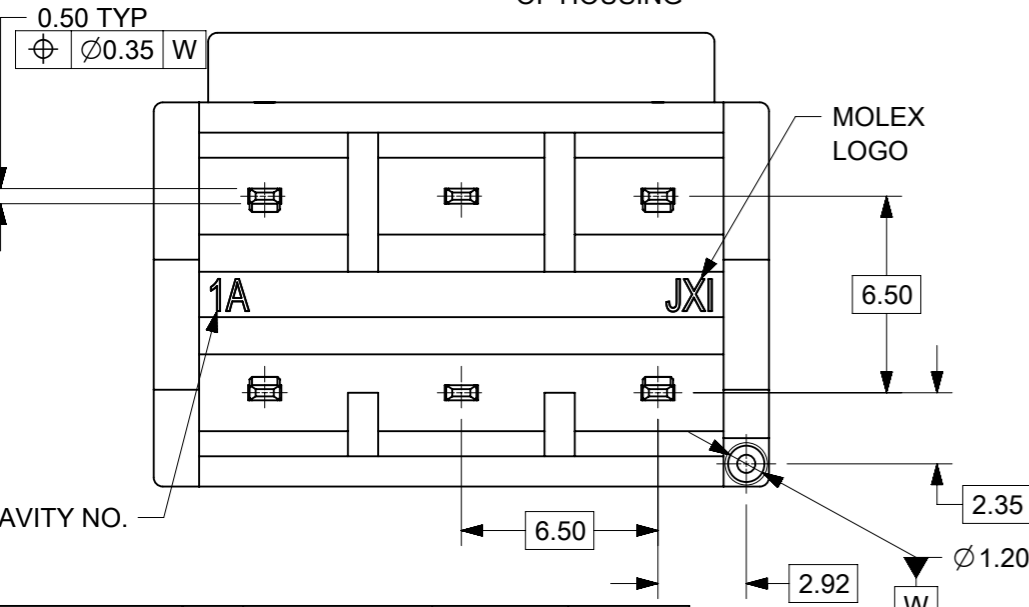
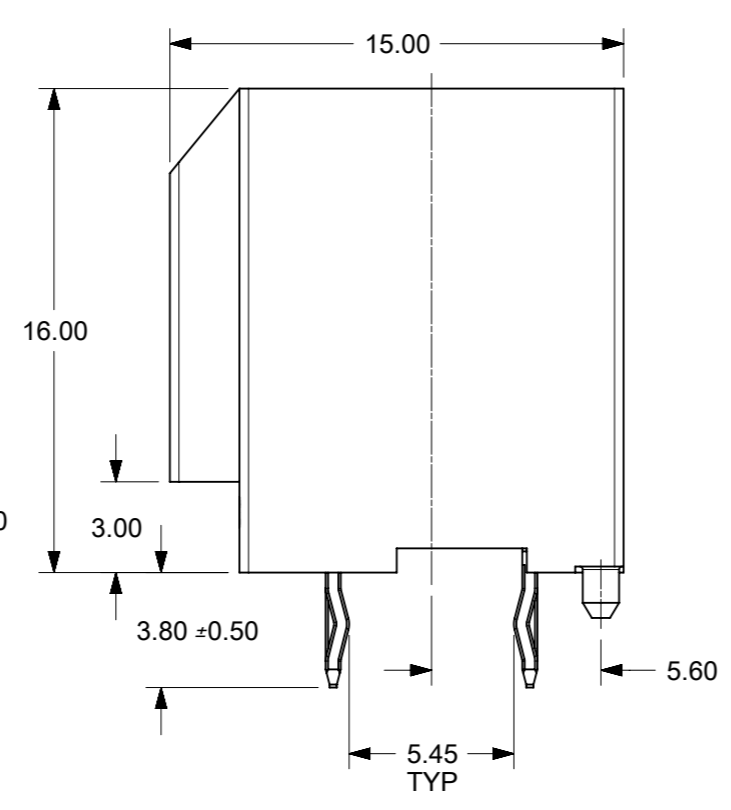
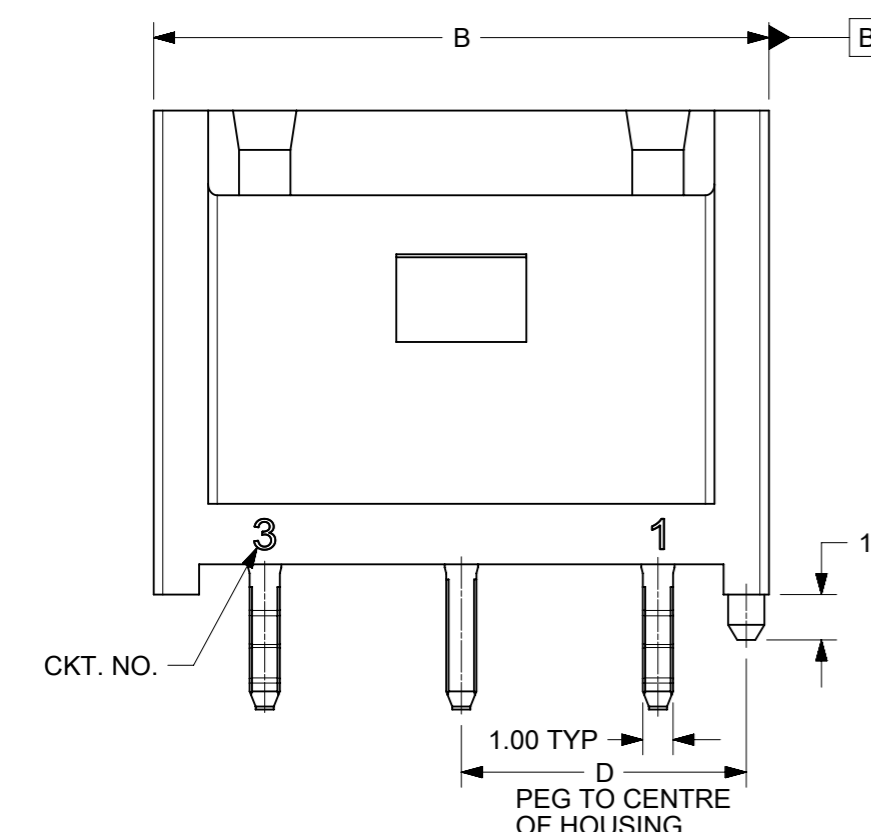


RECOMMENDED PCB BOARD HOLE DIMENSION  
(MOUNTING SIDE, THICKNESS: 1.60mm)

- NOTES:
- MATERIALS:  
HOUSING: POLYAMIDE(PA), GLASS FILLED, UL94-0  
TERMINAL: COPPER ALLOY
  - FINISHES:  
TERMINAL: 1.27µM MIN MATTE TIN OVER 1.27µM MIN NICKEL UNDERPLATE.
  - PRODUCT SPECIFICATION: PS-151048-0001
  - PACKAGING SPECIFICATION: REFER TO TABLE
  - REFER TO COSMETIC SPECIFICATION: PS-45499-002(CLASS B)
  - MATES WITH: 151049 SERIES



2	-	7.34	7.34	2.92	REFER TO PAGE 2
4	6.50	13.84	10.74	6.17	REFER TO PAGE 3
6	13.00	20.34	16.74	9.42	REFER TO PAGE 4
CKT. NO.	A	B	C	D	MATERIAL PART NO.

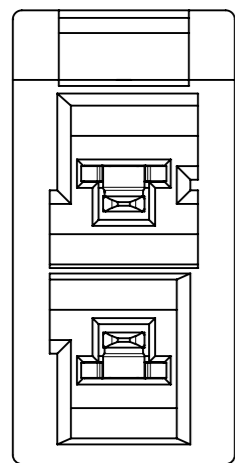
THIS DRAWING CONTAINS INFORMATION THAT IS PROPRIETARY TO MOLEX ELECTRONIC TECHNOLOGIES, LLC AND SHOULD NOT BE USED WITHOUT WRITTEN PERMISSION		CURRENT REV DESC: P/N ADDED		<b>molex</b>	
DIMENSION UNITS	SCALE	SALES DRAWING			
mm	4:1	6.5 HEADER ASSY WIRE TO BOARD CONNECTOR		PRODUCT CUSTOMER DRAWING	
GENERAL TOLERANCES (UNLESS SPECIFIED)		EC NO: 612829		DOCUMENT NUMBER	
ANGULAR TOL ± 3.0°		DRWN: SMAHAJANSHET 2019/02/27		SD-151048-0001	
4 PLACES ±		CHK'D: SMAHAJANSHET 2019/03/01		DOC TYPE	
3 PLACES ±		APPR: NCSR 2019/03/01		PSD	
2 PLACES ± 0.2		INITIAL REVISION:		DOC PART	
1 PLACE ±		DRWN: EANG 2014/03/13		001	
0 PLACES ±		APPR: KHLIM 2015/07/22		A2	
DRAFT WHERE APPLICABLE MUST REMAIN WITHIN DIMENSIONS		THIRD ANGLE PROJECTION	DRAWING	SERIES	MATERIAL NUMBER
			A3-SIZE	151048	SEE TABLE
		CUSTOMER	SHEET NUMBER		
		GENERAL MARKET	1 OF 4		

HEADER ASSY WITH POLARIZATION FEATURES AND COLORS 2CKTS

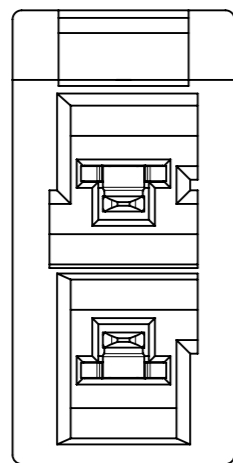
PART NO. LEGEND

151048- X X XX

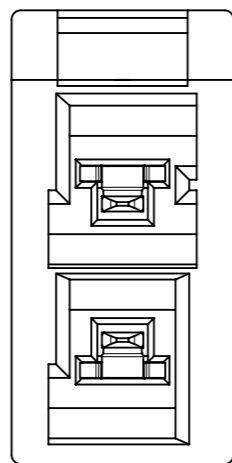
COLOR AND POLARIZATION  
CKT NO.  
PACKAGING (TRAY)  
AND OTHERS



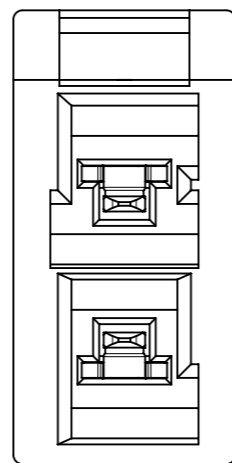
① 151048\*200  
ORANGE



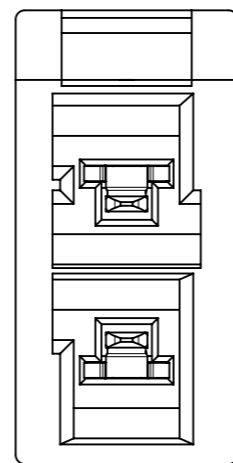
② 151048\*201  
BLUE



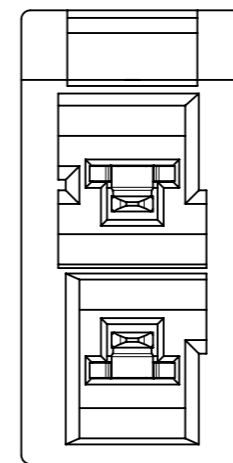
③ 151048\*202  
GREY



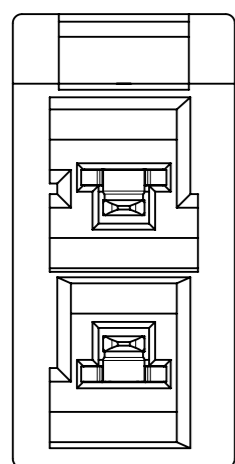
④ 151048\*203  
YELLOW



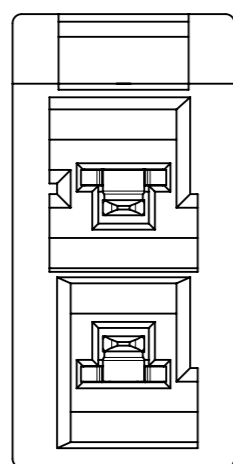
⑤ 151048\*204  
PURPLE



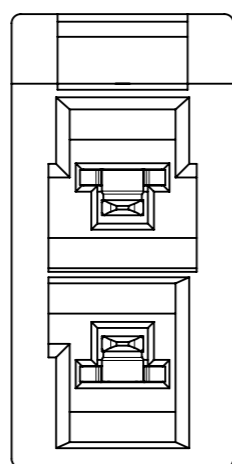
⑥ 151048\*205  
PINK



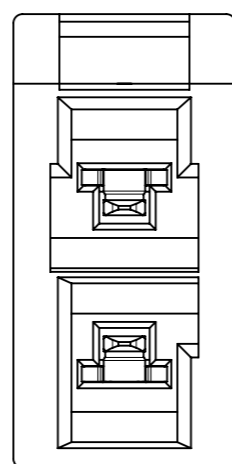
⑦ 151048\*206  
BLACK



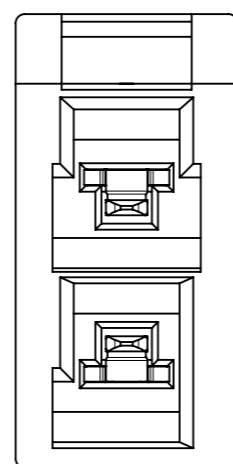
⑧ 151048\*207  
GREEN



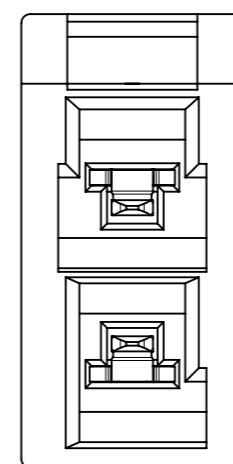
⑨ 151048\*208  
BROWN



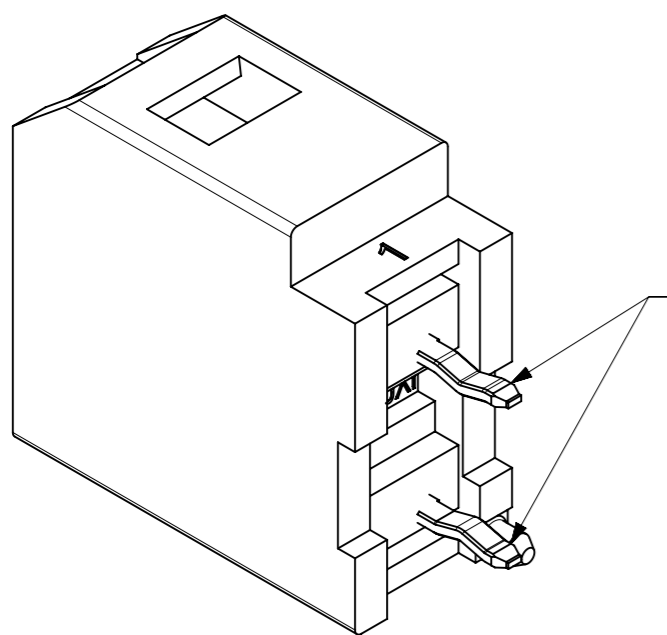
⑩ 151048\*209  
RED



⑪ 151048\*210  
MINT



⑫ 151048\*211  
NATURAL(WHITE)



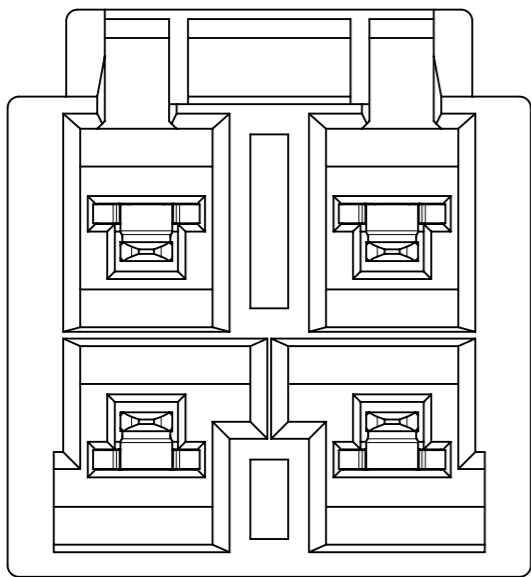
WITH KINK

CONFIG	ASSEMBLY	COLOR	STANDARD COLOR	CUSTOM COLOR	PACKAGING
1	1510482200	ORANGE	*		PK-151048-0001 (TUBE)
2	1510482201	BLUE	*		
3	1510482202	GREY		*	
4	1510482203	YELLOW	*		
5	1510482204	PURPLE		*	
6	1510482205	PINK		*	
7	1510482206	BLACK	*		
8	1510482207	GREEN		*	
9	1510482208	BROWN		*	
10	1510482209	RED	*		
11	1510482210	MINT		*	
12	1510482211	NATURAL (WHITE)	*		

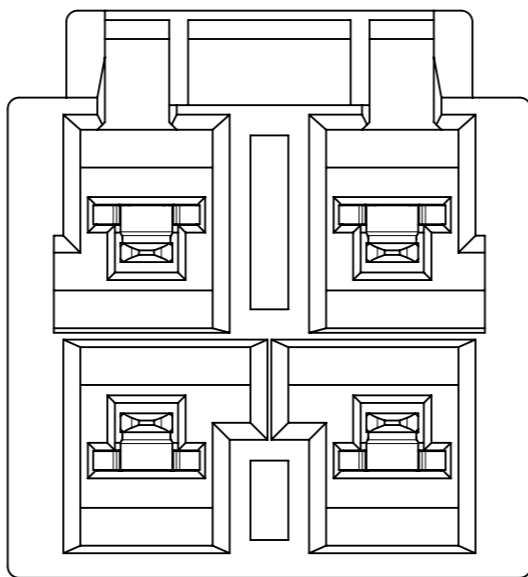
CONFIG	ASSEMBLY	COLOR	STANDARD COLOR	CUSTOM COLOR	PACKAGING
1	1510481200	ORANGE	*		PK-151048-0002 (TRAY)
2	1510481201	BLUE	*		
3	1510481202	GREY		*	
4	1510481203	YELLOW	*		
5	1510481204	PURPLE		*	
6	1510481205	PINK		*	
7	1510481206	BLACK	*		
8	1510481207	GREEN		*	
9	1510481208	BROWN		*	
10	1510481209	RED	*		
11	1510481210	MINT		*	
12	1510481211	NATURAL (WHITE)	*		

THIS DRAWING CONTAINS INFORMATION THAT IS PROPRIETARY TO MOLEX ELECTRONIC TECHNOLOGIES, LLC AND SHOULD NOT BE USED WITHOUT WRITTEN PERMISSION									
DIMENSION UNITS	SCALE	CURRENT REV DESC: P/N ADDED							
mm	4:1								
GENERAL TOLERANCES (UNLESS SPECIFIED)									
ANGULAR TOL	± 3.0°	SALES DRAWING							
4 PLACES	±	6.5 HEADER ASSY WIRE TO BOARD CONNECTOR							
3 PLACES	±	PRODUCT CUSTOMER DRAWING							
2 PLACES	± 0.2	DOCUMENT NUMBER							
1 PLACE	±	SD-151048-0001							
0 PLACES	±	DOC TYPE DOC PART REVISION							
DRAFT WHERE APPLICABLE MUST REMAIN WITHIN DIMENSIONS		THIRD ANGLE PROJECTION	DRAWING	SERIES	MATERIAL NUMBER	CUSTOMER	SHEET NUMBER		
			A3-SIZE	151048	SEE TABLE	GENERAL MARKET	2 OF 4		

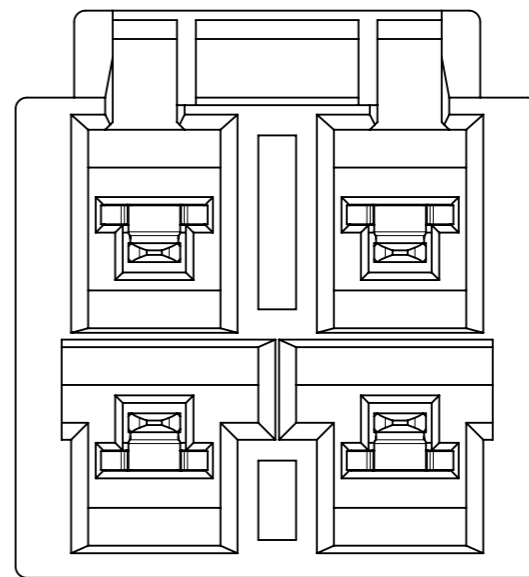
HEADER ASSY WITH POLARIZATION FEATURES AND COLORS 4CKTS



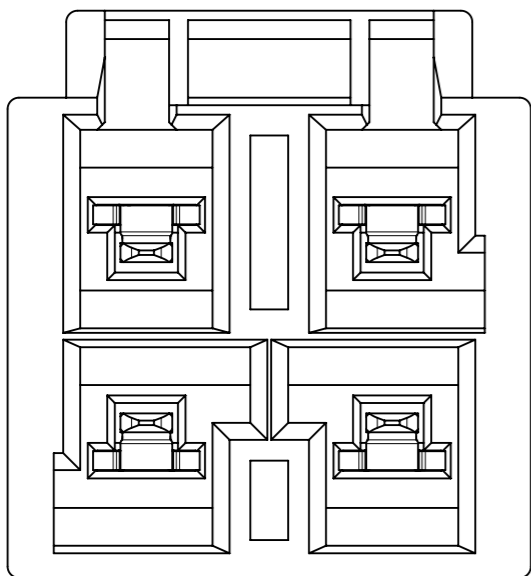
① 151048\*401  
BLUE



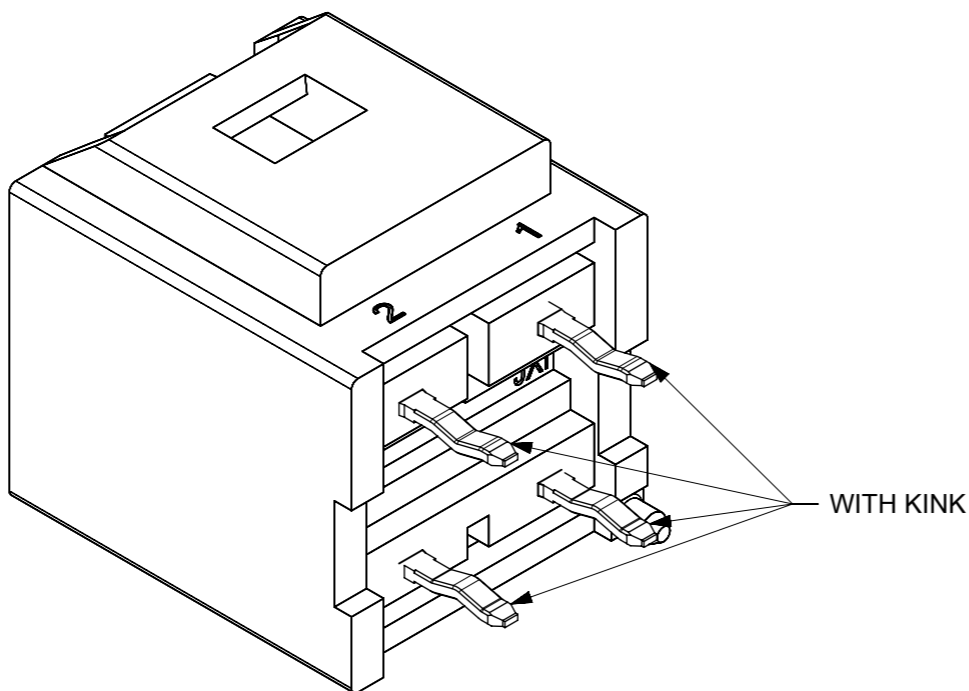
② 151048\*406  
BLACK



③ 151048\*411  
NATURAL(WHITE)



④ 151048\*409  
RED (A1)



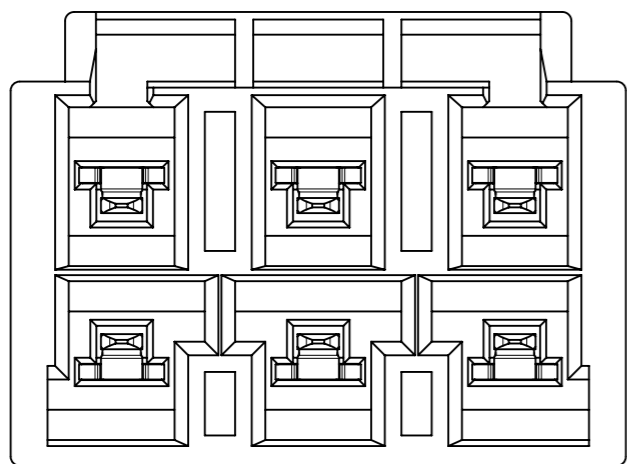
PART NO. LEGEND

151048- X X XX  
 └───┬───┬───  
 COLOR AND POLORIZARION  
 CKT NO.  
 PACKAGING (TRAY)  
 AND OTHERS

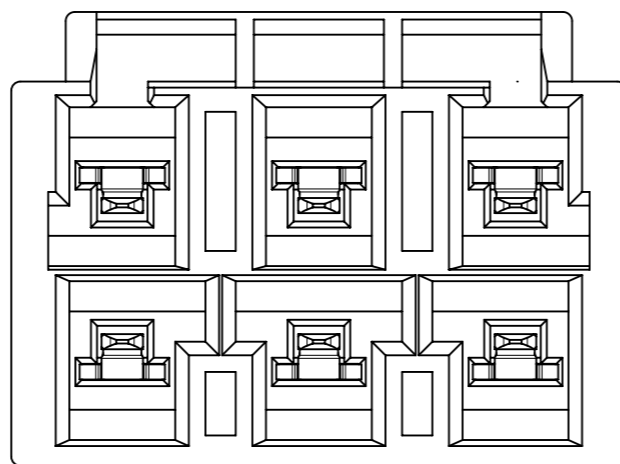
CONFIG	ASSEMBLY	COLOR	PACKAGING
1	1510481401	BLUE	PK-151048-0002
2	1510481406	BLACK	
3	1510481411	NATURAL (WHITE)	
4	1510481409	RED	

THIS DRAWING CONTAINS INFORMATION THAT IS PROPRIETARY TO MOLEX ELECTRONIC TECHNOLOGIES, LLC AND SHOULD NOT BE USED WITHOUT WRITTEN PERMISSION									
DIMENSION UNITS		SCALE		CURRENT REV DESC: P/N ADDED					
mm		5:1		<p>SALES DRAWING 6.5 HEADER ASSY WIRE TO BOARD CONNECTOR</p> <p>PRODUCT CUSTOMER DRAWING</p>					
GENERAL TOLERANCES (UNLESS SPECIFIED)									
ANGULAR TOL		± 3.0°		EC NO: 612829		2019/02/27		DOCUMENT NUMBER	
4 PLACES		±		DRWN: SMAHAJANSHET		2019/03/01		DOC TYPE	
3 PLACES		±		CHK'D: SMAHAJANSHET		2019/03/01		DOC PART	
2 PLACES		± 0.2		APPR: NCSR		2019/03/01		REVISION	
1 PLACE		±		INITIAL REVISION:				SD-151048-0001	
0 PLACES		±		DRWN: EANG		2014/03/13		PSD	
				APPR: KHLIM		2015/07/22		001	
DRAFT WHERE APPLICABLE MUST REMAIN WITHIN DIMENSIONS		THIRD ANGLE PROJECTION		DRAWING		SERIES		MATERIAL NUMBER	
				A3-SIZE		151048		CUSTOMER	
								GENERAL MARKET	
								SHEET NUMBER	
								3 OF 4	

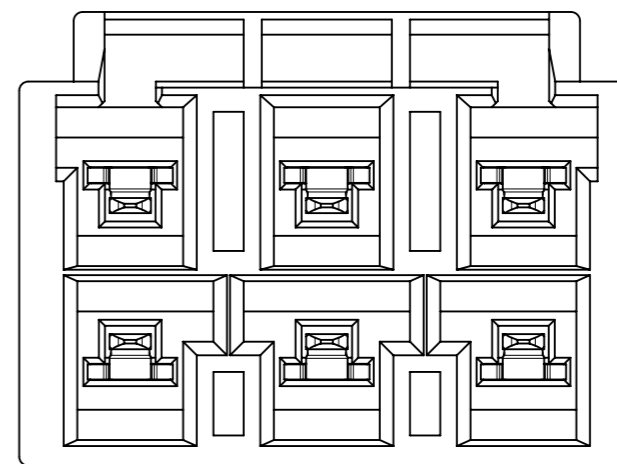
HEADER ASSY WITH POLARIZATION FEATURES AND COLORS 6CKTS



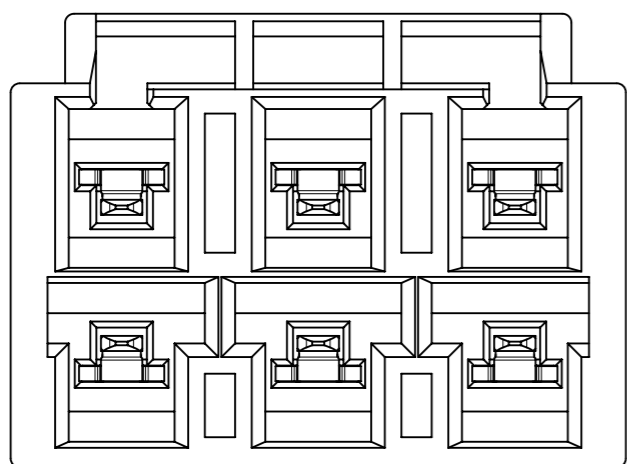
① 151048\*601  
BLUE



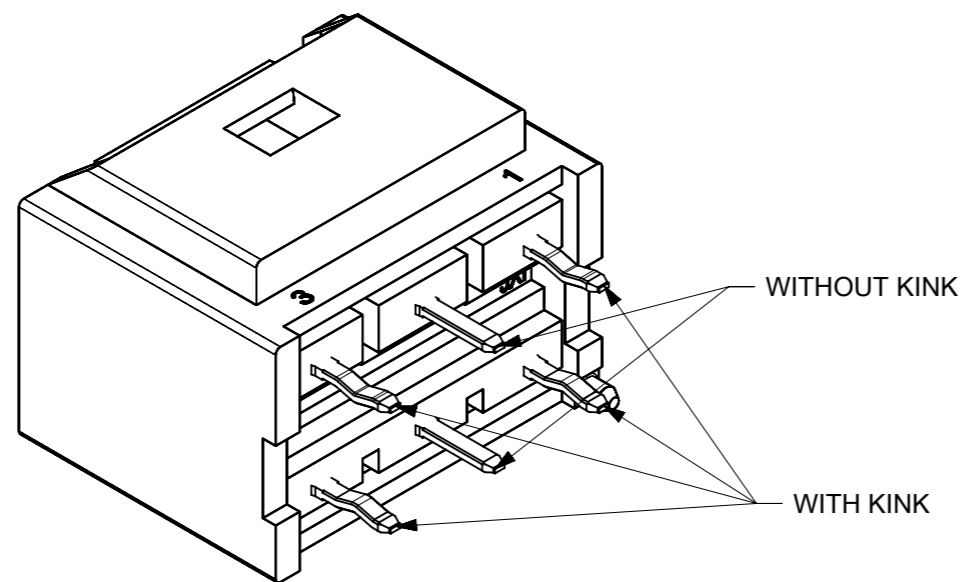
② 151048\*606  
BLACK



③ 151048\*609  
RED



④ 151048\*611  
NATURAL(WHITE)



PART NO. LEGEND

151048- X X XX

COLOR AND POLORIZARION  
CKT NO.  
PACKAGING (TRAY)  
AND OTHERS

CONFIG	ASSEMBLY	COLOR	PACKAGING
1	1510481601	BLUE	PK-151048-0002
2	1510481606	BLACK	
3	1510481609	RED	
4	1510481611	NATURAL (WHITE)	

THIS DRAWING CONTAINS INFORMATION THAT IS PROPRIETARY TO MOLEX ELECTRONIC TECHNOLOGIES, LLC AND SHOULD NOT BE USED WITHOUT WRITTEN PERMISSION									
DIMENSION UNITS <b>mm</b>		SCALE <b>4:1</b>		CURRENT REV DESC: P/N ADDED					
GENERAL TOLERANCES (UNLESS SPECIFIED)				<p><b>molex</b></p> <p>SALES DRAWING 6.5 HEADER ASSY WIRE TO BOARD CONNECTOR</p> <p>PRODUCT CUSTOMER DRAWING</p>					
ANGULAR TOL ± 3.0°		4 PLACES ±							
3 PLACES ±		2 PLACES ± 0.2		CHK'D: SMAHAJANSHET		2019/03/01		APPR: NCSR	
1 PLACE ±		0 PLACES ±		INITIAL REVISION:		2014/03/13		DRWN: EANG	
DRAFT WHERE APPLICABLE MUST REMAIN WITHIN DIMENSIONS		THIRD ANGLE PROJECTION		DRAWING		SERIES		MATERIAL NUMBER	
P1		RELEASE DATE		2019/03/01		06:57:11		DATE: 2018/01/11	
A3-SIZE		151048		SEE TABLE		GENERAL MARKET		4 OF 4	