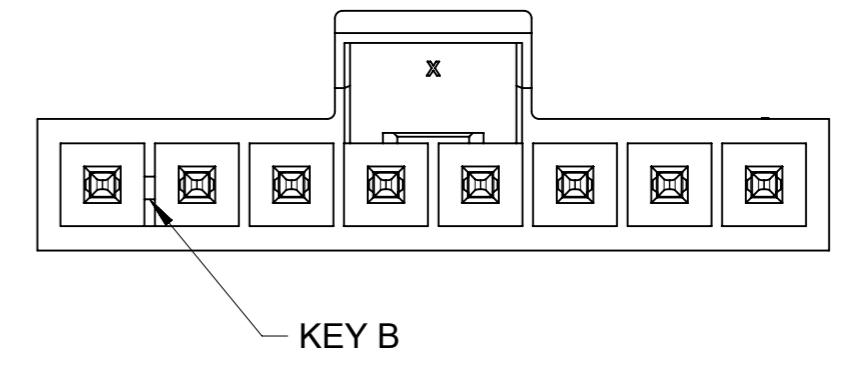
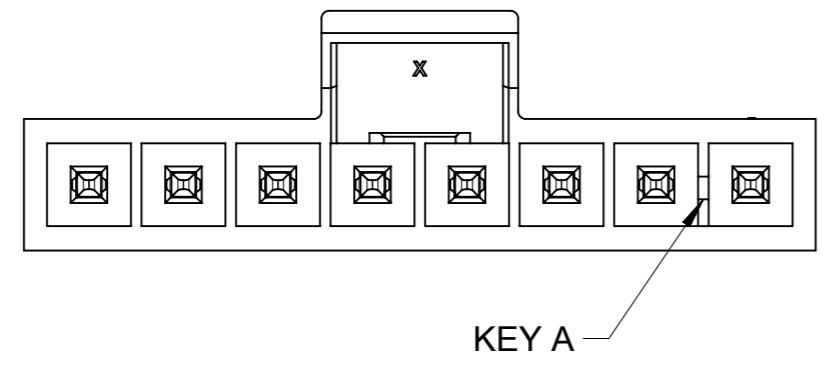
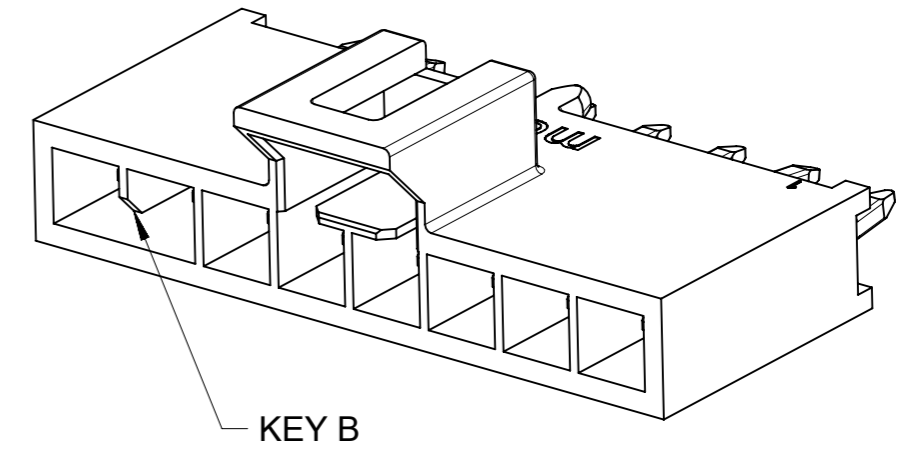
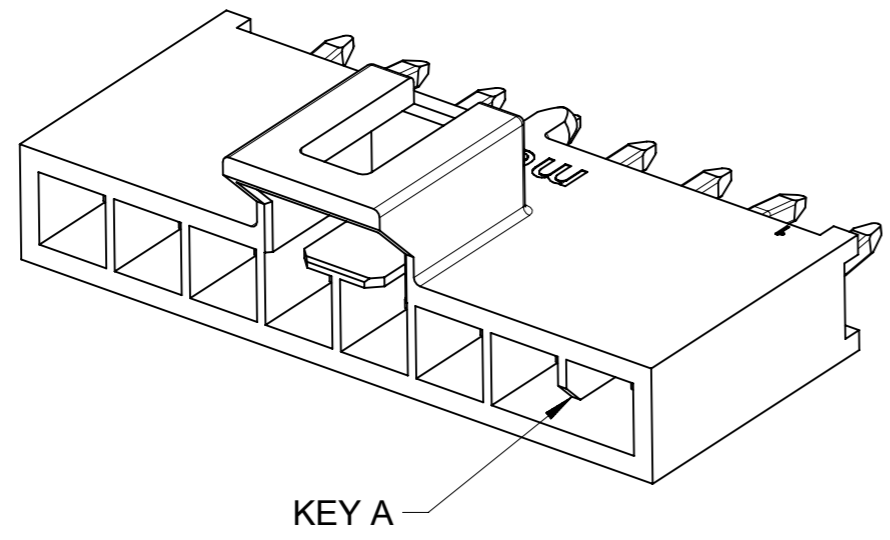


ONLY FOR CKT 3, 5, 7
OTHER DIMENSIONS REFER TO LEFT VIEWS.

RECOMMENDED PCB(CONNECTOR SIDE VIEW)
THICKNESS= 1.6 TO 2.4 MM.

QUALITY SYMBOLS FA = 0 FE = 0 FB = 0 ▼ = 0 C = 0 ⊗ = 0 ■ = 0 ∇ = 0	THIS DRAWING CONTAINS INFORMATION THAT IS PROPRIETARY TO MOLEX ELECTRONIC TECHNOLOGIES, LLC AND SHOULD NOT BE USED WITHOUT WRITTEN PERMISSION										
	EC NO: 648137	2020/11/02	GENERAL TOLERANCES (UNLESS SPECIFIED)		DIMENSION UNITS	SCALE					
	DRWN: GLLI	2020/11/09	ANGULAR TOL ± 3.0 °		mm	5:1					
	CHK'D: YXZHENG	2020/11/09	4 PLACES	±	DRWN BY	DATE	HEADER OF NANO-FIT, S/R, VERTICAL, KINK POWER CONNECTOR				
	APPR: YXZHENG		3 PLACES	± 0.1	GLLI	2014/07/14					
			2 PLACES	± 0.2	CHK'D BY	DATE	PRODUCT CUSTOMER DRAWING				
			1 PLACE	± 0.3	AYIN	2015/04/08					
			0 PLACES	±	APPR BY	DATE	SERIES	MATERIAL NUMBER	CUSTOMER		
			DRAFT WHERE APPLICABLE MUST REMAIN WITHIN DIMENSIONS		DRAWING SIZE	THIRD ANGLE PROJECTION	105309	SEE SHEET 2	GENERAL MARKET		
					A3		DOCUMENT NUMBER		DOC TYPE	DOC PART	SHEET NUMBER
						SD-105309-100	PSD	000	1 OF 5		



BLACK

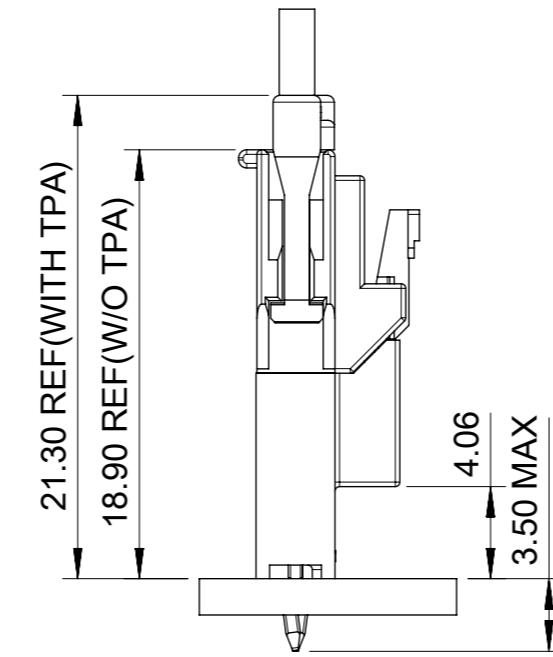
NATURAL

COLOR OPTION

THIS DRAWING CONTAINS INFORMATION THAT IS PROPRIETARY TO MOLEX ELECTRONIC TECHNOLOGIES, LLC AND SHOULD NOT BE USED WITHOUT WRITTEN PERMISSION									
SYMBOLS	DIMENSION UNITS	SCALE	CURRENT REV DESC:				molex		
	$\nabla = 0$	mm							
$\nabla = 0$	GENERAL TOLERANCES (UNLESS SPECIFIED)		EC NO: 648137				HEADER OF NANO-FIT, S/R, VERTICAL, KINK POWER CONNECTOR		
$\nabla = 0$	ANGULAR TOL $\pm 3.0^\circ$		DRWN: GLLI 2020/11/02				PRODUCT CUSTOMER DRAWING		
$\nabla = 0$	4 PLACES \pm		CHK'D: YXZHENG 2020/11/09				DOCUMENT NUMBER		
$\nabla = 0$	3 PLACES ± 0.1		APPR: YXZHENG 2020/11/09				SD-105309-100		
$\nabla = 0$	2 PLACES ± 0.2		INITIAL REVISION:				DOC TYPE		
$\nabla = 0$	1 PLACE ± 0.3		DRWN: GLLI 2015/05/28				DOC PART		
$\nabla = 0$	0 PLACES \pm		APPR: AYIN 2016/04/27				REVISION		
$\square = 0$	DRAFT WHERE APPLICABLE MUST REMAIN WITHIN DIMENSIONS		THIRD ANGLE PROJECTION		DRAWING	SERIES	MATERIAL NUMBER	CUSTOMER	SHEET NUMBER
$\nabla = 0$					A3-SIZE	105309		GENERAL MARKET	2 OF 5

PART NUMBER	DIM 'A'	DIM 'B'	CKT SIZE	PLATING	LUBE
105309-1102	5.94	2.50	2	TIN	
105309-1103	8.44	5.00	3		
105309-1104	10.94	7.50	4		
105309-1105	13.44	10.00	5		
105309-1106	15.94	12.50	6		
105309-1107	18.44	15.00	7		
105309-1108	20.94	17.50	8		
105309-1202	5.94	2.50	2		
105309-1203	8.44	5.00	3		
105309-1204	10.94	7.50	4		
105309-1205	13.44	10.00	5		
105309-1206	15.94	12.50	6		
105309-1207	18.44	15.00	7		
105309-1208	20.94	17.50	8		
105309-1302	5.94	2.50	2	GOLD 0.76	
105309-1303	8.44	5.00	3		
105309-1304	10.94	7.50	4		
105309-1305	13.44	10.00	5		
105309-1306	15.94	12.50	6		
105309-1307	18.44	15.00	7		
105309-1308	20.94	17.50	8		
105309-1402	5.94	2.50	2		
105309-1403	8.44	5.00	3		
105309-1404	10.94	7.50	4		
105309-1405	13.44	10.00	5		
105309-1406	15.94	12.50	6		
105309-1407	18.44	15.00	7		
105309-1408	20.94	17.50	8		

COLOR: BLACK

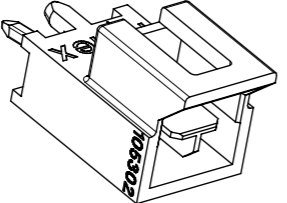
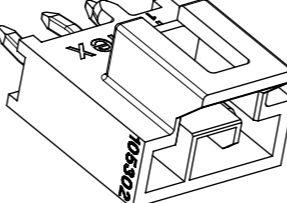
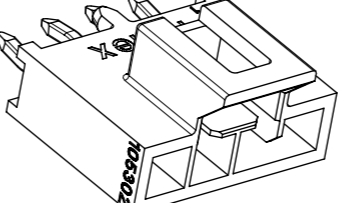
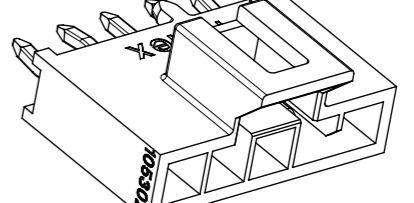
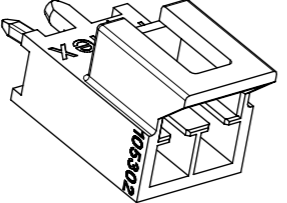
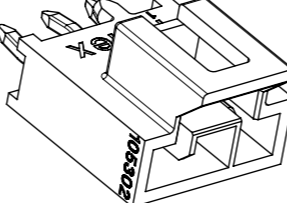
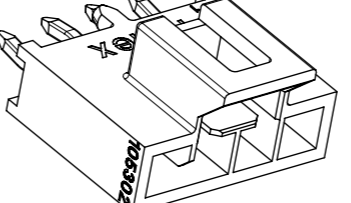
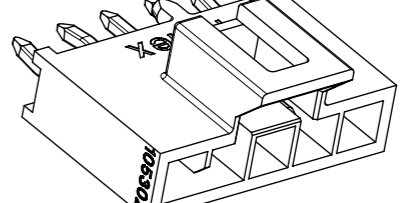
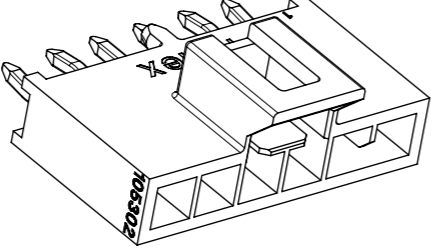
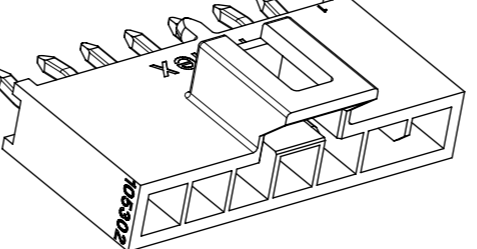
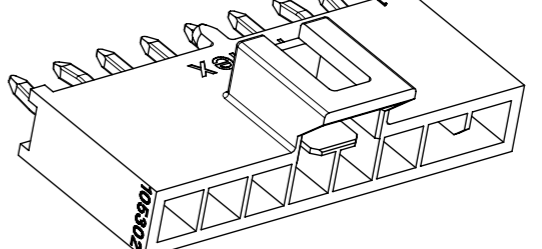
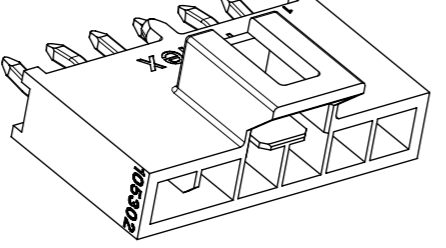
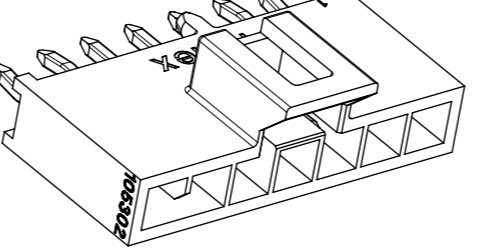
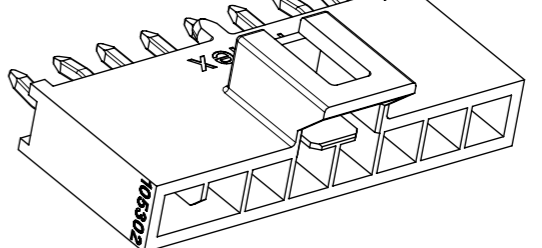


105309- * * * *
 * CIRCUIT SIZE
 * PLATING OPTION
 1 - TIN
 2 - GOLD 0.38
 3 - GOLD 0.76
 4 - GOLD AND LUBE
 * COLOR OPTION
 1 - BLACK
 2 - NATURAL

PART NUMBER	DIM 'A'	DIM 'B'	CKT SIZE	PLATING	LUBE
105309-2102	5.94	2.50	2	TIN	
105309-2103	8.44	5.00	3		
105309-2104	10.94	7.50	4		
105309-2105	13.44	10.00	5		
105309-2106	15.94	12.50	6		
105309-2107	18.44	15.00	7		
105309-2108	20.94	17.50	8		
105309-2202	5.94	2.50	2		
105309-2203	8.44	5.00	3		
105309-2204	10.94	7.50	4		
105309-2205	13.44	10.00	5		
105309-2206	15.94	12.50	6		
105309-2207	18.44	15.00	7		
105309-2208	20.94	17.50	8		
105309-2302	5.94	2.50	2	GOLD 0.76	
105309-2303	8.44	5.00	3		
105309-2304	10.94	7.50	4		
105309-2305	13.44	10.00	5		
105309-2306	15.94	12.50	6		
105309-2307	18.44	15.00	7		
105309-2308	20.94	17.50	8		
105309-2402	5.94	2.50	2		
105309-2403	8.44	5.00	3		
105309-2404	10.94	7.50	4		
105309-2405	13.44	10.00	5		
105309-2406	15.94	12.50	6		
105309-2407	18.44	15.00	7		
105309-2408	20.94	17.50	8		

COLOR: NATURAL

THIS DRAWING CONTAINS INFORMATION THAT IS PROPRIETARY TO MOLEX ELECTRONIC TECHNOLOGIES, LLC AND SHOULD NOT BE USED WITHOUT WRITTEN PERMISSION													
QUALITY SYMBOLS 	EC NO: 648137 DRWN: GLLI CHK'D: YXZHENG APPR: YXZHENG	GENERAL TOLERANCES (UNLESS SPECIFIED) ANGULAR TOL ± 3.0 ° 4 PLACES ± 3 PLACES ± 0.1 2 PLACES ± 0.2 1 PLACE ± 0.3 0 PLACES ±		DIMENSION UNITS mm	SCALE 3:1								
		DRAFT WHERE APPLICABLE MUST REMAIN WITHIN DIMENSIONS		DRAWING SIZE A3	THIRD ANGLE PROJECTION 							HEADER OF NANO-FIT, S/R, VERTICAL, KINK POWER CONNECTOR	
		PRODUCT CUSTOMER DRAWING						SERIES 105309	MATERIAL NUMBER SEE CHART	CUSTOMER GENERAL MARKET			
		RELEASE STATUS: P1 RELEASE DATE: 2020/11/09 01:28:35						DOCUMENT NUMBER SD-105309-100	DOC TYPE PSD	DOC PART 000	SHEET NUMBER 3 OF 5		

		2 CKT	3 CKT	4 CKT	5 CKT
E	BLACK				
D	NATURAL				
		6 CKT	7 CKT	8 CKT	
C	BLACK				
B	NATURAL				

THIS DRAWING CONTAINS INFORMATION THAT IS PROPRIETARY TO MOLEX ELECTRONIC TECHNOLOGIES, LLC AND SHOULD NOT BE USED WITHOUT WRITTEN PERMISSION													
QUALITY SYMBOLS = 0 = 0 = 0 = 0 = 0 = 0 = 0 = 0		EC NO: 648137 DRWN: GLLI CHK'D: YXZHENG APPR: YXZHENG		2020/11/02 2020/11/09 2020/11/09		GENERAL TOLERANCES (UNLESS SPECIFIED) ANGULAR TOL ± 3.0 ° 4 PLACES ± 3 PLACES ± 0.1 2 PLACES ± 0.2 1 PLACE ± 0.3 0 PLACES ±		DRAFT WHERE APPLICABLE MUST REMAIN WITHIN DIMENSIONS		DIMENSION UNITS: mm SCALE: 3:1 DRWN BY: GLLI DATE: 2014/07/14 CHK'D BY: DATE: APPR BY: AYIN DATE: 2015/04/08 DRAWING SIZE: A3 THIRD ANGLE PROJECTION:		 HEADER OF NANO-FIT, S/R, VERTICAL, KINK POWER CONNECTOR PRODUCT CUSTOMER DRAWING	
RELEASE STATUS: P1 RELEASE DATE: 2020/11/09 01:28:35		SERIES: 105309 MATERIAL NUMBER: SEE SHEET 2 CUSTOMER: GENERAL MARKET		DOCUMENT NUMBER: SD-105309-100 DOC TYPE: PSD DOC PART: 000 SHEET NUMBER: 4 OF 5									

NOTES FOR ALL PARTS

1> MATERIAL:
HOUSING: LCP 30% GF, UL 94V-0; TERMINAL: BRASS.

2> PLATING FINISHED:
TERMINAL:
CONTACT AREA: a. REFLOWED MATTE TIN 1.5MICRONS MIN;
b. GOLD 0.38 MICRONS MIN;
c. GOLD 0.76 MICRONS MIN.
SOLDER AREA: TIN 1.5 MICRONS MIN, UNDER PLATING NICKEL 1.25 MICRONS MIN.
SOLDER CLIP: TIN 2.5 MICRONS MIN, UNDER PLATING NICKEL 1.25 MICRONS MIN.

3> PRODUCT SPECIFICATION: PS-105300-100.

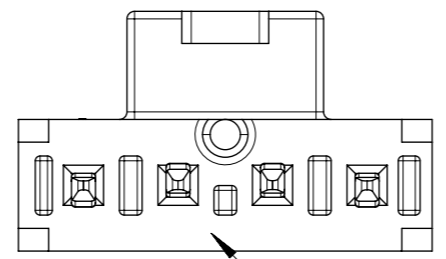
4> PACKAGE: TRAY, PK-105309-300.

5> ALL COMPONENTS AND PRODUCT COMPLIANT TO RoHS DIRECTIVE 2011/65/EU AND ELV DIRECTIVE 2000/53/EC.

6> PRODUCT MATE WITH SERIES OF 105307(RECEPTACLE), 105300(CRIMP TERMINAL).

7> PARTS CONFORM TO CLASS 'B'REQUIREMENTS OF COSMETIC SPECIFICATION PS-45499-002.

8> DISCOLORATION IN THE BANDOLIER PIN CARRIER AREA OF THE PIN IS INHERENT TO THE PLATING PROCESS AND IS DUE TO THE MASKING DEFECT OF THE CARRIER, THIS DISCOLORATION IS IN A NON-FUNCTION AREA OF THE PIN AND WILL NOT AFFECT THE PERFORMANCE OF THE HEADER ASSEMBLY.



IF ANY NUMBER MARK APPEARS ON THIS SURFACE, PLEASE DISREGARD IT, IT IS NO ANY FUCTION AND NO ANY RELATION TO PIN NUMBER, IT IS JUST FOR MOLDING IDENDIFICATION.

THIS DRAWING CONTAINS INFORMATION THAT IS PROPRIETARY TO MOLEX ELECTRONIC TECHNOLOGIES, LLC AND SHOULD NOT BE USED WITHOUT WRITTEN PERMISSION													
QUALITY SYMBOLS ▽A = 0 ▽E = 0 ▽F = 0 ▼ = 0 ▽C = 0 ⊗ = 0 ■ = 0 ▽ = 0	EC NO: 648137 DRWN: GLLI CHK'D: YXZHENG APPR: YXZHENG	2020/11/02 2020/11/09 2020/11/09	GENERAL TOLERANCES (UNLESS SPECIFIED)		DIMENSION UNITS	SCALE							
			ANGULAR TOL ± 3.0 °		mm								
			4 PLACES ±	DRWN BY		DATE		HEADER OF NANO-FIT, S/R, VERTICAL, KINK POWER CONNECTOR					
			3 PLACES ± 0.1	GLLI		2015/05/28							
			2 PLACES ± 0.2	CHK'D BY		DATE		PRODUCT CUSTOMER DRAWING					
			1 PLACE ± 0.3	AYIN		2016/04/27							
			0 PLACES ±	APPR BY		DATE		SERIES	MATERIAL NUMBER	CUSTOMER			
			DRAFT WHERE APPLICABLE MUST REMAIN WITHIN DIMENSIONS	DRAWING SIZE		THIRD ANGLE PROJECTION		105309	SEE SHEET 2	GENERAL MARKET			
				A3				DOCUMENT NUMBER	DOC TYPE	DOC PART	SHEET NUMBER		
				H				SD-105309-100	PSD	000	5 OF 5		