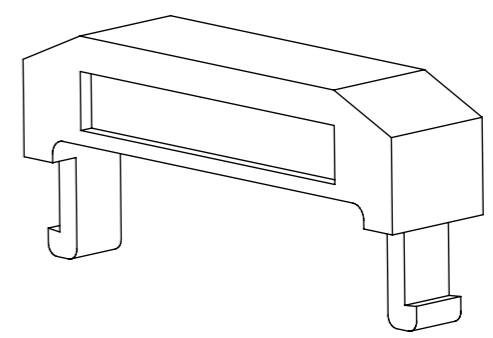
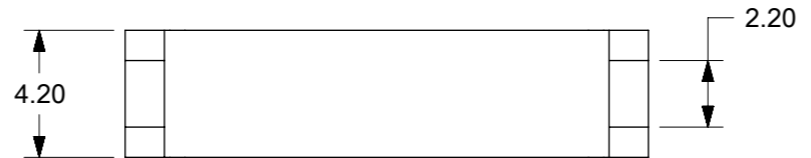
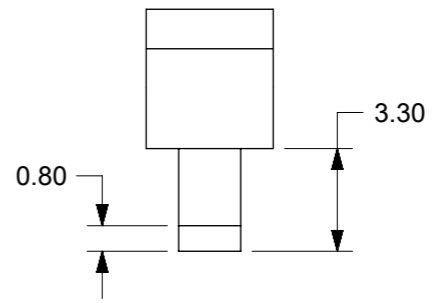
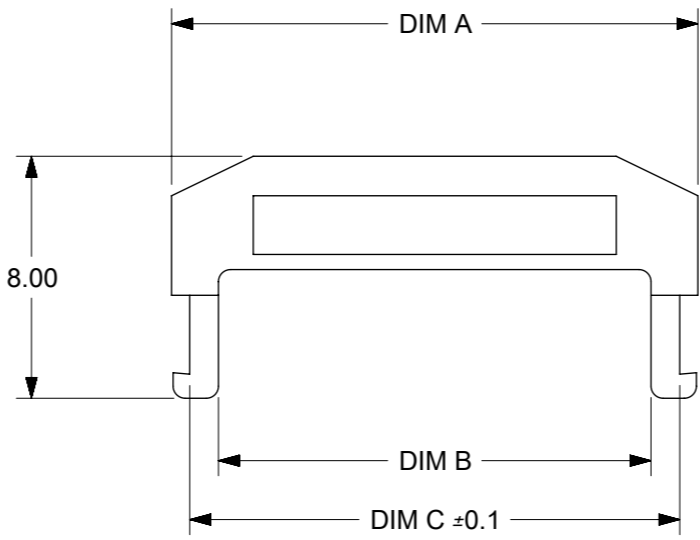


ENGINEERING NUMBER	CKT SIZE	A	B	C
87569-1010	10	15.40	12.20	14.25
87569-1012	12	17.40	14.20	16.25
87569-1014	14	19.40	16.20	18.25
87569-1016	16	21.40	18.20	20.25
87569-1020	20	25.40	22.20	24.25
87569-1022	22	27.40	24.20	26.25
87569-1024	24	29.40	26.20	28.25
87569-1026	26	31.40	28.20	30.25
87569-1030	30	35.40	32.20	34.25
87569-1032	32	37.40	34.20	36.25
87569-1034	34	39.40	36.20	38.25
87569-1040	40	45.40	42.20	44.25
87569-1044	44	49.40	46.20	48.25
87569-1050	50	55.40	52.20	54.25



87569 - 1 0 * *
 CKT SIZE

NOTES:
 1. MATERIAL: THERMOPLASTIC, UL94V-0 BLACK
 2. FOR ILLUSTRATION PURPOSES A 12 CIRCUIT SIZE PART IS SHOWN.
 3. FOR ALL OTHER CIRCUIT SIZES CONTACT FACTORY.

THIS DRAWING CONTAINS INFORMATION THAT IS PROPRIETARY TO MOLEX ELECTRONIC TECHNOLOGIES, LLC AND SHOULD NOT BE USED WITHOUT WRITTEN PERMISSION																				
QUALITY SYMBOLS		MIGRATED TO ECTR			GENERAL TOLERANCES (UNLESS SPECIFIED)		DIMENSION UNITS		SCALE											
▽A = 0	▽B = 0	▽C = 0	▽D = 0	▽E = 0	▽F = 0	MM	INCH	MM	NTS											
▽G = 0	▽H = 0	▽I = 0	▽J = 0	▽K = 0	▽L = 0	4 PLACES ±	±	DRWN BY	DATE	MGRID, 2MM DUAL ROW IDT										
▽M = 0	▽N = 0	▽O = 0	▽P = 0	▽Q = 0	▽R = 0	3 PLACES ±	±	MSAKTHI	1999/02/25											
▽S = 0	▽T = 0	▽U = 0	▽V = 0	▽W = 0	▽X = 0	2 PLACES ± 0.2	±	CHK'D BY	DATE	PRODUCT CUSTOMER DRAWING										
▽Y = 0	▽Z = 0	▽AA = 0	▽AB = 0	▽AC = 0	▽AD = 0	1 PLACES ±	±	JSGOH	1999/07/19											
▽AE = 0	▽AF = 0	▽AG = 0	▽AH = 0	▽AI = 0	▽AJ = 0	0 PLACES ±	±	APPR BY	DATE	<table border="1"> <tr> <td>SERIES</td> <td>MATERIAL NUMBER</td> <td>CUSTOMER</td> </tr> <tr> <td>87569</td> <td>SEE TABLE</td> <td>GENERAL MARKET</td> </tr> </table>			SERIES	MATERIAL NUMBER	CUSTOMER	87569	SEE TABLE	GENERAL MARKET		
SERIES	MATERIAL NUMBER	CUSTOMER																		
87569	SEE TABLE	GENERAL MARKET																		
▽AK = 0	▽AL = 0	▽AM = 0	▽AN = 0	▽AO = 0	▽AP = 0	ANGULAR TOL = 3.0		MLONG	2009/11/13	<table border="1"> <tr> <td>DOCUMENT NUMBER</td> <td>DOC TYPE</td> <td>DOC PART</td> <td>SHEET NUMBER</td> </tr> <tr> <td>SD-87569-008</td> <td>PSD</td> <td>001</td> <td>1 OF 1</td> </tr> </table>			DOCUMENT NUMBER	DOC TYPE	DOC PART	SHEET NUMBER	SD-87569-008	PSD	001	1 OF 1
DOCUMENT NUMBER	DOC TYPE	DOC PART	SHEET NUMBER																	
SD-87569-008	PSD	001	1 OF 1																	
▽AQ = 0	▽AR = 0	▽AS = 0	▽AT = 0	▽AU = 0	▽AV = 0	DRAFT WHERE APPLICABLE MUST REMAIN WITHIN DIMENSIONS		DRAWING SIZE	THIRD ANGLE PROJECTION	<table border="1"> <tr> <td>RELEASE STATUS</td> <td>P1</td> <td>RELEASE DATE</td> <td>2018/02/13 08:38:39</td> </tr> </table>			RELEASE STATUS	P1	RELEASE DATE	2018/02/13 08:38:39				
RELEASE STATUS	P1	RELEASE DATE	2018/02/13 08:38:39																	
▽AW = 0	▽AX = 0	▽AY = 0	▽AZ = 0	▽BA = 0	▽BB = 0			A3												