

CIRCUIT SIZE	MATERIAL NUMBER	DIM "A"	DIM "B"
4	44133-0400	$\frac{24.6}{.97}$	$\frac{3.00}{.118}$
6	44133-0600	$\frac{27.7}{1.09}$	$\frac{6.00}{.236}$
8	44133-0800	$\frac{30.7}{1.21}$	$\frac{9.00}{.354}$
10	44133-1000	$\frac{33.8}{1.33}$	$\frac{12.00}{.472}$
12	44133-1200	$\frac{36.8}{1.45}$	$\frac{15.00}{.591}$
14	44133-1400	$\frac{39.8}{1.57}$	$\frac{18.00}{.709}$
16	44133-1600	$\frac{42.8}{1.69}$	$\frac{21.00}{.827}$
18	44133-1800	$\frac{45.8}{1.80}$	$\frac{24.00}{.945}$
20	44133-2000	$\frac{48.8}{1.92}$	$\frac{27.00}{1.063}$
22	44133-2200	$\frac{51.8}{2.04}$	$\frac{30.00}{1.181}$
24	44133-2400	$\frac{54.8}{2.16}$	$\frac{33.00}{1.299}$

- NOTES:
1. MATERIAL: UNFILLED POLYESTER (PBT), UL94V-0, COLOR: BLACK
 2. FINISH: N/A
 3. PRODUCT SPECIFICATION: PS-44300-001
 4. PACKAGING SPECIFICATION: TRAY PACKED PER PK-44133-002
 5. THIS RECEPTACLE MATES WITH MOLEX BMI PLUG 44300, MOLEX BMI VERTICAL PCB HEADER 44432, MOLEX BMI RIGHT ANGLE PCB HEADER 44428, & MOLEX BMI CPI VERTICAL PCB HEADER 45280. (MOLEX DRAWINGS SD-44300-001, SD-44428-001, SD-44432-001, & SD-45280-001)
 6. THIS RECEPTACLE TO BE USED WITH MOLEX FEMALE CRIMP TERMINALS ONLY (SERIES 43030, 45773, OR 46235). SEE APPLICATION SPECIFICATION AS-44133-001 FOR TERMINAL ORIENTATION IN HOUSING.
 7. THIS RECEPTACLE IS DESIGNED FOR USE WITH 1.57/.062 MAX. TO 1.27/.050 MINIMUM THICK PANELS.
 8. DIMENSIONS GIVEN ACROSS CENTERLINES ARE SYMMETRICAL ABOUT THOSE CENTERLINES WITHIN THE TOTAL TOLERANCE.
 9. WHEN MATING WITH 44300 SERIES, THE PANEL CUT-OUT CENTERLINES OF DIM "H" AND 9.78/.385 MUST ALIGN WITH POINT "M" DEFINED BY MOLEX DRAWING SD-44300-001.
 10. MOLEX RECOMMENDS THE USE OF MICRO-FIT TEST PLUG (SERIES 44242) WHENEVER CONTINUITY TESTING IS PERFORMED. TEST PLUGS MUST NOT BE USED TO MAKE OR BREAK UNDER LOAD. MOLEX DOES NOT RECOMMEND USING STANDARD MATING COMPONENTS (SERIES 44428, 44432, 44300 OR 45280) FOR HARNESS TESTING PURPOSES.
 11. PART CONFORMS TO CLASS 'B' REQUIREMENTS OF COSMETIC SPECIFICATION PS-45499-002. SOME HOUSINGS MAY HAVE A SMALL GATE BLEMISH NEAR THE GATE LOCATION THAT DOES NOT AFFECT FUNCTIONALITY. HOUSINGS MAY EXHIBIT A SURFACE IMPERFECTION KNOW AS "SINK MARKS" UP TO 0.60/.024 MAX. THIS IS A COSMETIC DEFECT AND DOES NOT EFFECT FUNCTION OF THE CONNECTOR.
 12. THE WIDTH OF THE NARROW SLOTS SHOULD BE 2.90-3.28/.114-.129 (MIN-MAX) IF KEYING OF THE CONNECTOR TO THE CUT-OUT IS DESIRED.

FUNCTIONAL SYMBOLS	THIS DRAWING CONTAINS INFORMATION THAT IS PROPRIETARY TO MOLEX ELECTRONIC TECHNOLOGIES, LLC AND SHOULD NOT BE USED WITHOUT WRITTEN PERMISSION			CURRENT REV DESC: ADD KEEPOUT, 6.67 DIM IN PANEL		
	DIMENSION UNITS	SCALE				
$\frac{F}{A} = 0$	MM/INCH	NTS				
$\frac{F}{C} = 0$	GENERAL TOLERANCES (UNLESS SPECIFIED)					
$\frac{F}{P} = 0$		MM	INCH			
DIVISIONAL SYMBOLS	4 PLACES	±	±	EC NO: 660931		
	3 PLACES	±	± 0.01	DRWN: MKIPPER 2020/12/03		
	2 PLACES	± 0.25	± 0.014	CHK'D: JEHRISMAN 2021/07/16		
	1 PLACE	± 0.35	±	APPR: FSMITH 2021/07/19		
	0 PLACES	±	±	INITIAL REVISION:		
	ANGULAR TOL	± 0.5 °		DRWN: ESOMMER 1998/09/30		
	DRAFT WHERE APPLICABLE MUST REMAIN WITHIN DIMENSIONS			APPR: REDGLEY 2000/07/31		
				THIRD ANGLE PROJECTION	DRAWING	SERIES
					C-SIZE	44133

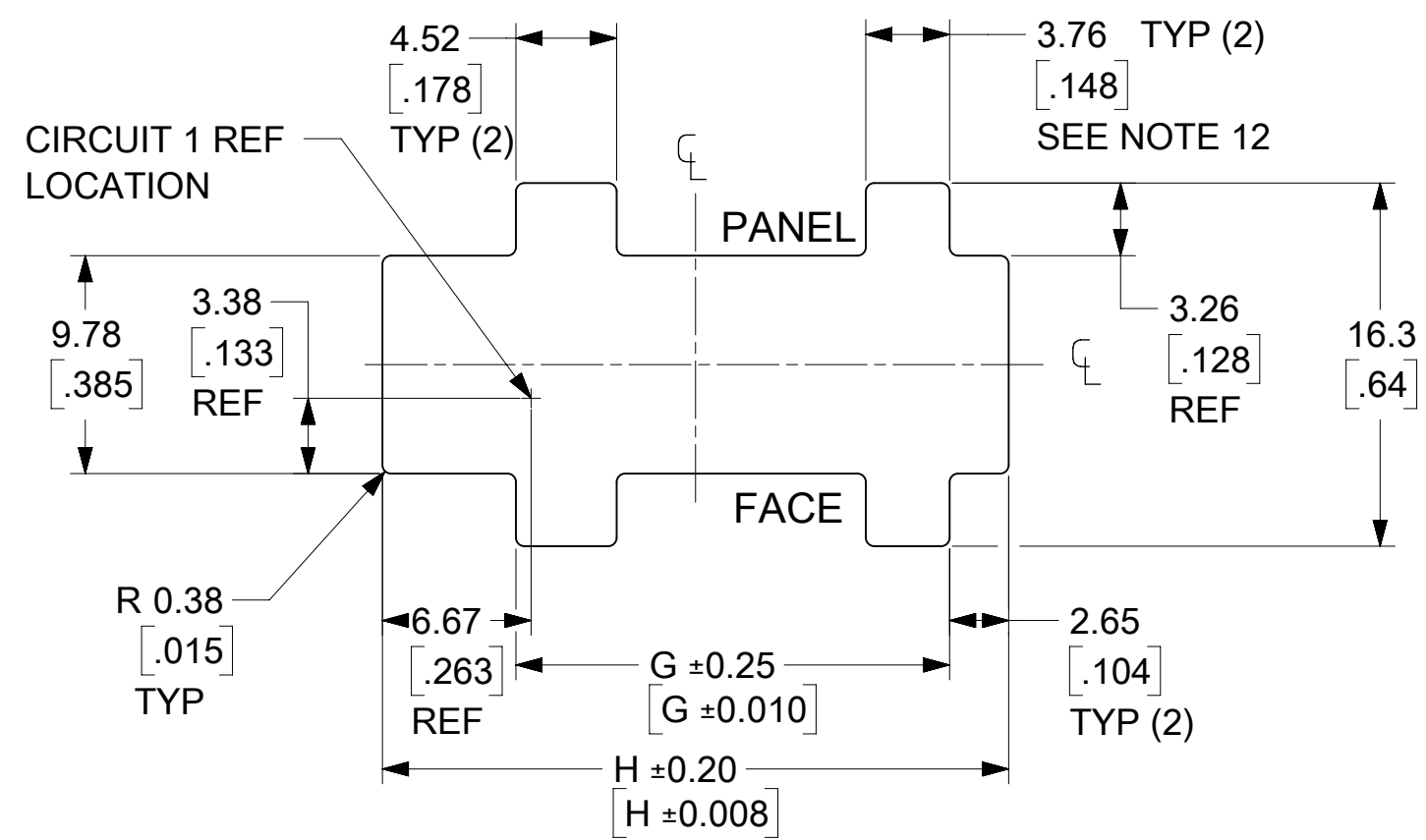
MOLEX

MICRO-FIT (3.0)
BMI FLOATING PANEL RECEPTACLE, 4-24 CIRCUIT

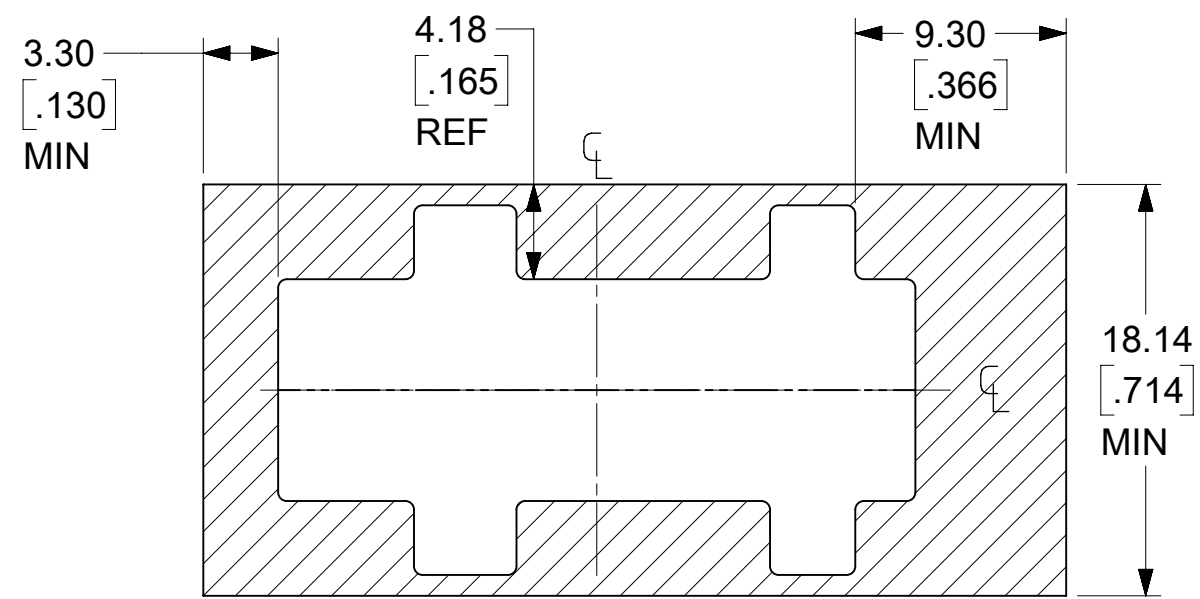
PRODUCT CUSTOMER DRAWING

DOCUMENT NUMBER: **SD-44133-001** DOC TYPE: PSD DOC PART: 001 REVISION: L6

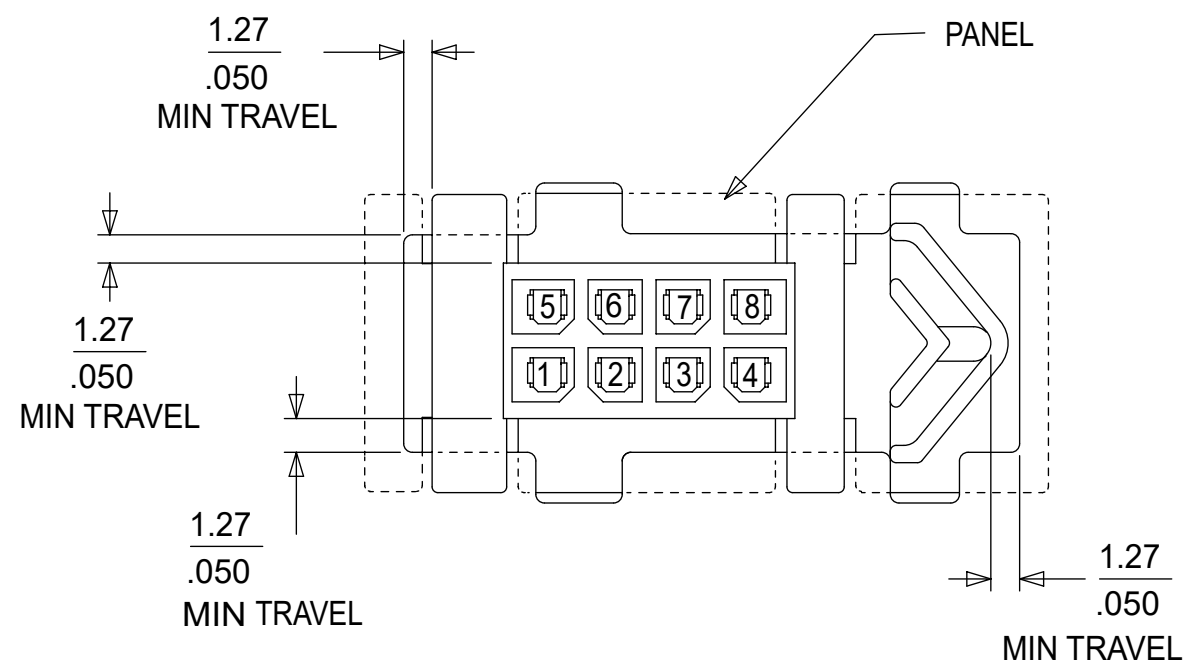
MATERIAL NUMBER: GENERAL MARKET SHEET NUMBER: 1 OF 2



RECOMMENDED PANEL CUTOUT
(SEE NOTES 7, 9, AND 12)



KEEPOUT AREA



RECEPTACLE SHOWN MOUNTED IN PANEL

CIRCUIT SIZE	DIM "G"	DIM "H"
4	$\frac{13.46}{.530}$	$\frac{22.10}{.870}$
6	$\frac{16.46}{.648}$	$\frac{25.10}{.988}$
8	$\frac{19.46}{.766}$	$\frac{28.10}{1.106}$
10	$\frac{22.46}{.884}$	$\frac{31.10}{1.224}$
12	$\frac{25.46}{1.002}$	$\frac{34.10}{1.343}$
14	$\frac{28.46}{1.120}$	$\frac{37.10}{1.461}$
16	$\frac{31.46}{1.239}$	$\frac{40.10}{1.579}$
18	$\frac{34.46}{1.357}$	$\frac{43.10}{1.697}$
20	$\frac{37.46}{1.475}$	$\frac{46.10}{1.815}$
22	$\frac{40.46}{1.593}$	$\frac{49.10}{1.933}$
24	$\frac{43.46}{1.711}$	$\frac{52.10}{2.051}$

FUNCTIONAL SYMBOLS	THIS DRAWING CONTAINS INFORMATION THAT IS PROPRIETARY TO MOLEX ELECTRONIC TECHNOLOGIES, LLC AND SHOULD NOT BE USED WITHOUT WRITTEN PERMISSION					
	DIMENSION UNITS		SCALE		CURRENT REV DESC: ADD KEEPOUT, 6.67 DIM IN PANEL	
$\frac{F}{A} = 0$	MM/INCH		NTS		MICRO-FIT (3.0) BMI FLOATING PANEL RECEPTACLE, 4-24 CIRCUIT	
$\frac{F}{C} = 0$	GENERAL TOLERANCES (UNLESS SPECIFIED)					
$\frac{F}{P} = 0$	4 PLACES ±		±			
	3 PLACES ±		± 0.01			
DIVISIONAL SYMBOLS	2 PLACES ±		± 0.25 ± 0.014		EC NO: 660931	
	1 PLACE ±		± 0.35 ±		DRWN: MKIPPER 2020/12/03	
	0 PLACES ±		±		CHK'D: JEHRISMAN 2021/07/16	
	ANGULAR TOL ±		± 0.5 °		APPR: FSMITH 2021/07/19	
DRAFT WHERE APPLICABLE MUST REMAIN WITHIN DIMENSIONS			THIRD ANGLE PROJECTION		INITIAL REVISION:	
					DRWN: ESOMMER 1998/09/30	
			DRAWING		APPR: REDGLEY 2000/07/31	
			C-SIZE		SERIES	
DOCUMENT STATUS			P1		RELEASE DATE	
2021/07/19			04:24:13		SD-44133-001	
DOCUMENT NUMBER			DOC TYPE		DOC PART	
SD-44133-001			PSD		001	
MATERIAL NUMBER			CUSTOMER		REVISION	
GENERAL MARKET			L6		SHEET NUMBER	
2 OF 2						