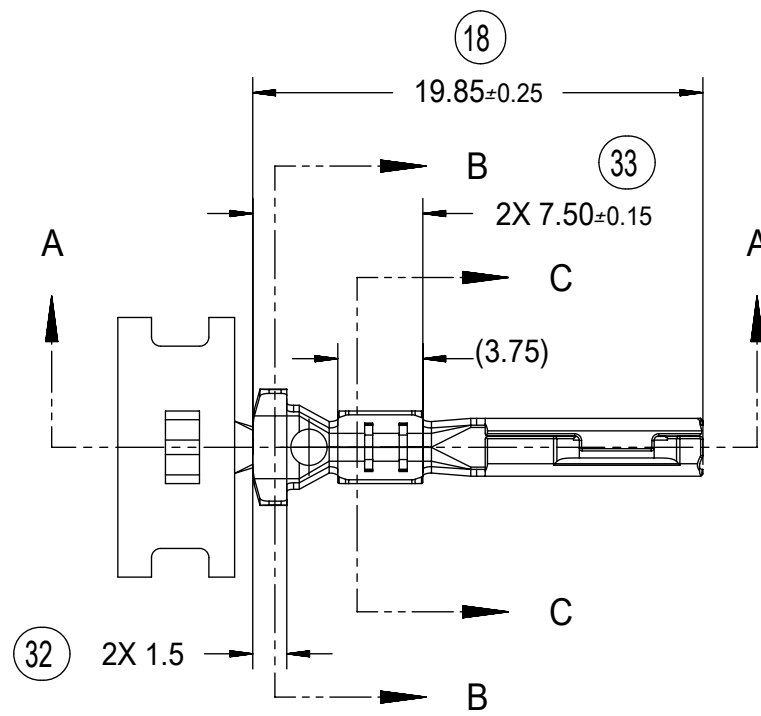
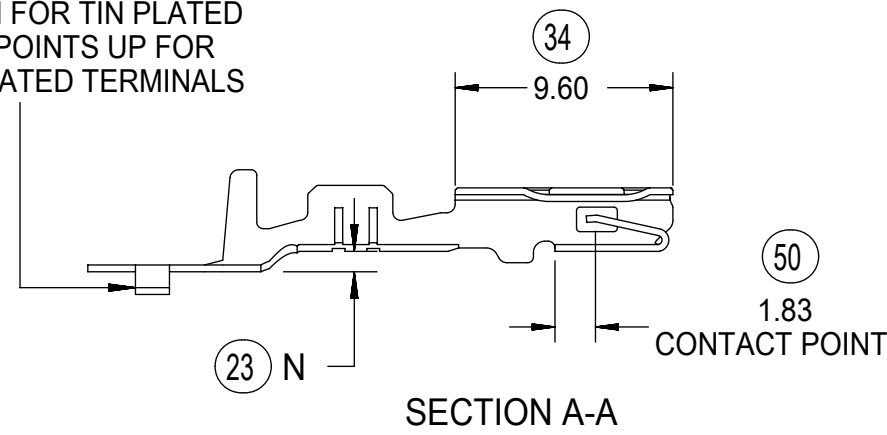
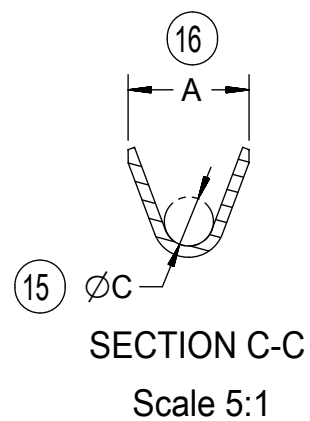
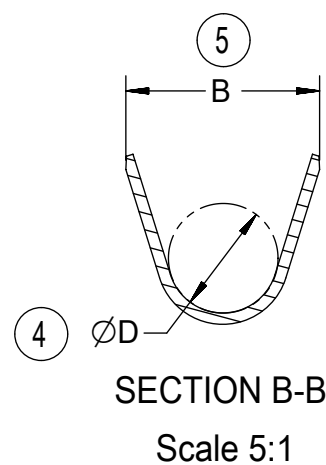
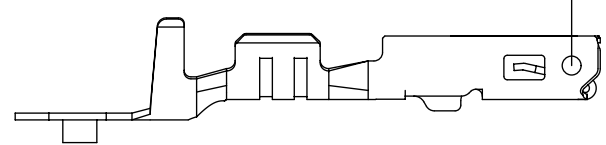


CARRIER BUMP DIRECTION
POINTS DOWN FOR TIN PLATED
TERMINALS, POINTS UP FOR
PRECIOUS PLATED TERMINALS



STAMP PLATING TYPE (Au-GOLD),
(Sn-TIN) OR (Ag-SILVER) IN THIS AREA



(11.43)
PROGRESSION

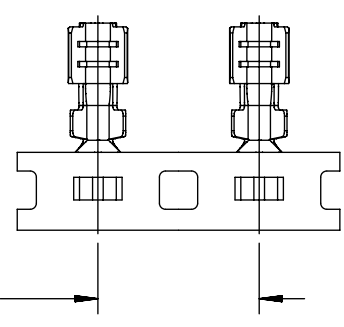
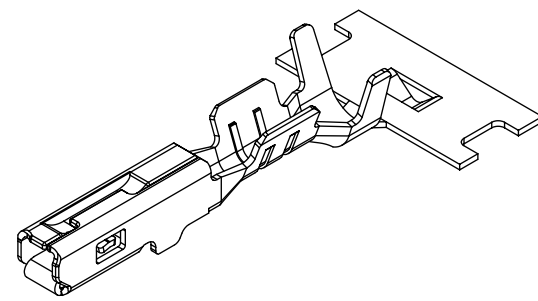


TABLE 1 - TERMINAL PART NUMBER AND DIMENSION REFERENCE

| FAMILY | GENDER | SEALING | PLATING | PART NUMBER | PAYOFF DIRECTION | GRIP CODE | WIRE SIZES* | A ±0.3 | B ±0.20 | C ±0.3 | D ±0.15 | N ±0.10 | SPECIAL CHARACTERISTICS |
|--------|------------|-----------|---------|--------------------------|------------------|-----------|--------------------------|--------|---------|---------------------|---------|---------|-------------------------|
| MX150 | RECEPTACLE | WIRE SEAL | Sn | 34083-2003 | RIGHT (B) | 22 | 22AWG | 2.5 | 4.85 | 0.9 | 2.90 | 0.55 | HIGH PERFORMANCE Sn |
| | | | | 34083-3003 | LEFT (D) | | 0.35-0.50mm ² | | | | | | |
| | | | | 34083-2002 | RIGHT (B) | 18 | 20/18AWG | 3.3 | 5.00 | 1.3 | 2.90 | 0.70 | |
| | | | | 34083-3002 | LEFT (D) | | 0.75-1.00mm ² | | | | | | |
| | | | | 34083-2001 | RIGHT (B) | 14 | 16/14AWG | 3.6 | 5.00 | 1.7 | 2.90 | 0.90 | |
| | | | | 34083-3001 | LEFT (D) | | 1.50-2.00mm ² | | | | | | |
| | | | Au | 34081-2005 | RIGHT (B) | 22 | 22AWG | 2.5 | 4.85 | 0.9 | 2.90 | 0.55 | HIGH PERFORMANCE Au |
| | | | | 34081-3005 | LEFT (D) | | 0.35-0.50mm ² | | | | | | |
| | | | | 34081-2004 | RIGHT (B) | 18 | 20/18AWG | 3.3 | 5.00 | 1.3 | 2.90 | 0.70 | |
| | | | | 34081-3004 | LEFT (D) | | 0.75-1.00mm ² | | | | | | |
| | | | | 34081-2003 | RIGHT (B) | 14 | 16/14AWG | 3.6 | 5.00 | 1.7 | 2.90 | 0.90 | |
| | | | | 34081-3003 | LEFT (D) | | 1.50-2.00mm ² | | | | | | |
| Ag | 34081-4003 | RIGHT (B) | 22 | 22AWG | 2.5 | 4.85 | 0.9 | 2.90 | 0.55 | HIGH PERFORMANCE Ag | | | |
| | 34081-5003 | LEFT (D) | | 0.35-0.50mm ² | | | | | | | | | |
| | 34081-4002 | RIGHT (B) | 18 | 20/18AWG | 3.3 | 5.00 | 1.3 | 2.90 | 0.70 | | | | |
| | 34081-5002 | LEFT (D) | | 0.75-1.00mm ² | | | | | | | | | |
| | 34081-4001 | RIGHT (B) | 14 | 16/14AWG | 3.6 | 5.00 | 1.7 | 2.90 | 0.90 | | | | |
| | 34081-5001 | LEFT (D) | | 1.50-2.00mm ² | | | | | | | | | |

* SEE AS-34083-002 FOR SPECIFIC WIRE TYPES



NOTES: (UNLESS OTHERWISE SPECIFIED)

- MATING TERMINAL SHOWN ON DRAWING SD-34080-001
- MATERIAL: ASTM B422, UNS C19025, HR04
THICKNESS: 0.30 mm ±0.01
TEMPER: FULL HARD (REF)
TENSILE: 496 MIN MPA
- TIN PLATED TERMINAL FINISH
OVERALL UNDERPLATE ELECTRODEPOSITED NICKEL
OVERALL ELECTRODEPOSITED REFLOW TIN
- GOLD PLATED TERMINAL FINISH
OVERALL UNDERPLATE ELECTRODEPOSITED DUCTILE SULFAMATE NICKEL
CONTACT AREA - ELECTRODEPOSITED GOLD
GRIP AREA - ELECTRODEPOSITED 100% TIN MATTE FINISH
- SILVER PLATED TERMINAL FINISH
OVERALL UNDERPLATE ELECTRODEPOSITED DUCTILE SULFAMATE NICKEL
CONTACT AREA - ELECTRODEPOSITED PURE SILVER (0.5% MAX IMPURITIES) SEMI-BRIGHT FINISH
- SILVER ANTI-TARNISH : EVABRITE
GRIP AREA - ELECTRODEPOSITED 100% TIN MATTE FINISH
- MEETS PERFORMANCE SPECIFICATION FOR CABLE TO TERMINAL ELECTRICAL CRIMPS PER SAE/USCAR-21 (5/2002)
- MEETS PERFORMANCE STANDARD FOR AUTOMOTIVE ELECTRICAL CONNECTOR SYSTEMS FOR SAE/USCAR-2 REV. 4 (TEMP CLASS 3) (5/2004)
- MEETS ELECTRICAL CONNECTION SYSTEM DESIGN SPECIFICATION (SDS) REV.11 (5/2002)
- MEETS FIELD CORRELATED LIFE TEST (FCLT) PER SAE/USCAR-20 (6/2004)
- INSERTION FORCE WITH INLINE BLADE TERMINAL:
AVG. FORCE 3.1 N TIN (REFERENCE)
2.7 N GOLD (REFERENCE)
2.9 N SILVER (REFERENCE)
- REFERENCE FORD CAVITY SPECIFICATION 97BG-14474-ADA
- REFERENCE AS-34083-002 FOR CRIMP INFORMATION
- REFERENCE PK-31300-516 FOR REEL DIRECTION
- REFERENCE PS-34083-002 FOR PRODUCT SPECIFICATION

| | | | | |
|---------|---|-------|-------------------------------|--------------------------|
| SYMBOLS | THIS DRAWING CONTAINS INFORMATION THAT IS PROPRIETARY TO MOLEX ELECTRONIC TECHNOLOGIES, LLC AND SHOULD NOT BE USED WITHOUT WRITTEN PERMISSION | | CURRENT REV DESC: | molex |
| | DIMENSION UNITS | SCALE | | |
| ▽ = 0 | mm | 3:1 | DRWN: NVENKATESHSH 2019/05/11 | PRODUCT CUSTOMER DRAWING |
| ▽ = 0 | GENERAL TOLERANCES (UNLESS SPECIFIED) | | CHK'D: TOMSMITH 2019/12/23 | |
| ▽ = 0 | ANGULAR TOL ± 3.0° | | APPR: TOMSMITH 2019/12/23 | DOCUMENT NUMBER |
| ▽ = 0 | 4 PLACES ± | | INITIAL REVISION: | SD-34083-002 |
| ▽ = 0 | 3 PLACES ± | | DRWN: KFERGUSON 2009/04/14 | DOC TYPE |
| ▽ = 0 | 2 PLACES ± 0.10 | | APPR: BMOSEY 2009/04/14 | DOC PART |
| ▽ = 0 | 1 PLACE ± 0.3 | | | REVISION |
| ▽ = 0 | 0 PLACES ± | | | B2 |
| ⊠ = 0 | DRAFT WHERE APPLICABLE MUST REMAIN WITHIN DIMENSIONS | | THIRD ANGLE PROJECTION | MATERIAL NUMBER |
| ⊠ = 0 | | | DRAWING | CUSTOMER |
| | | | SERIES | SHEET NUMBER |
| | | | C-SIZE | SEE TABLE |
| | | | 34083 | GENERAL MARKET |
| | | | | 1 OF 1 |