

ROHS

MATERIAL LIST

TEL: 0769-82001899

VER	DESCRIBE	NATE	DRAWN
A0	新图框编制	2022/08/29	姜光鸿

NO.	PART	MATERIAL	COATING/COLOR	QTY
1	HOUSING	PA6T UL94V-0	BLACK	1
2	TERMINALS	BRASS	PLATING GOLD	N

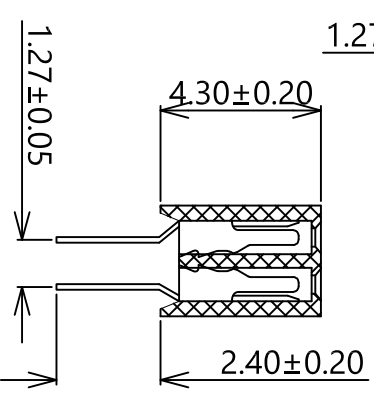
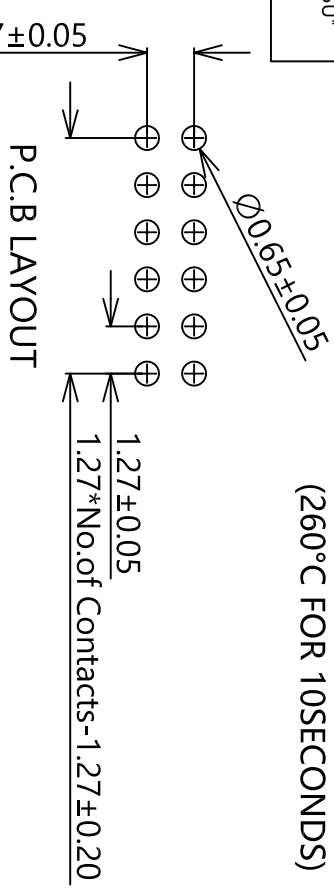
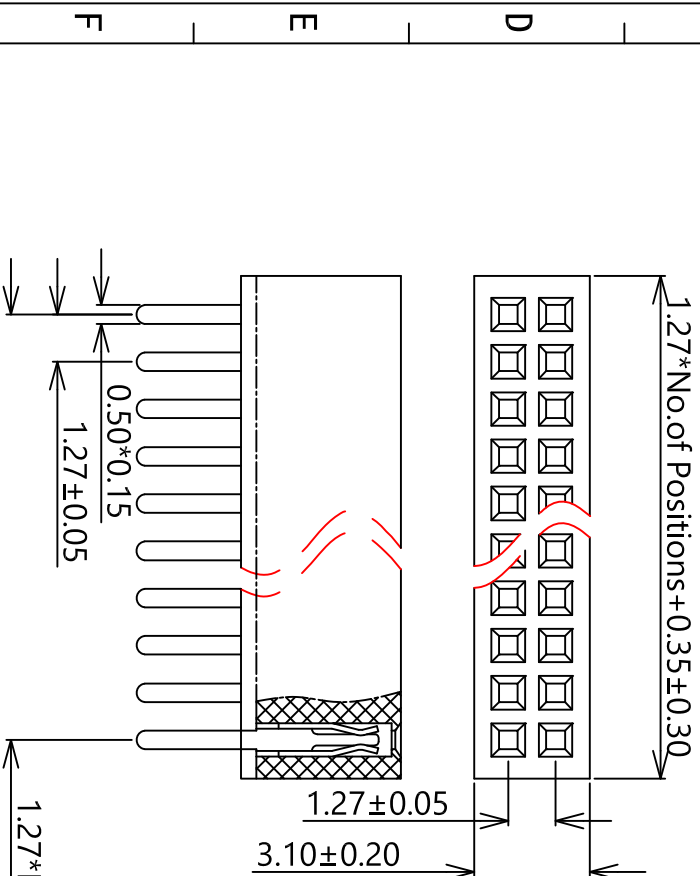
料号释义:

PM	127	V	12	XX	XXX	X	X	X
PM=排母	127=1.27间距 100=1.00间距 200=2.00间距 254=2.54间距	焊接角度: V:直插 R:弯插 VS:立贴 RS:卧贴	11=单塑单排 12=单塑双排	XX=Pin位	塑胶高度: routine=4.30 H20=2.00 H355=3.55 H43=4.30 H50=5.00 H71=7.10 H85=8.50	材 质: routine=PA6T 6=PA6T P=PBT 9=PA9T L=LCP	焊脚长度: routine=2.40 A=1.70 B=2.40	镀 层: routine=G/F 0=G/F 2=Au2U" 3=Au3U" 5=Au5U"

NOTE:

1 TECHNICAL PARAMETER:

- 1.1 RATINGS: 1A/250V (DC AC)
- 1.2 CONTACT RESISTANCE: 20MΩ MAX.
- 1.3 INSULATION RESISTANCE: 1000MΩ MIN
- 1.4 WITHSTAND VOLTAGE: 300V AC/MINUTE
- 1.5 WORKING TEMPERATURE: -40°C TO +105°C
- 1.6 MAX.PROCESSING TEMP:240°C FOR 30-60SECONDS
(260°C FOR 10SECONDS)



Product specification:2~50PIN

TOLERANCE UNLESS OTHERWISE

X. ±0.30	X° ±5°
.X ±0.20	.X° ±2°
.XX ±0.08	.XX° ±1°
.XXX ±0.03	.XXX° ±0.5°

UNIT	mm
VIEW	
SCALE	1:1
NUMBER	XF-PM001

XF 兴飞连接器有限公司
FCN CONNECTORS CO., LTD.

DRAWN 姜光鸿

TYPE	PART.NO.	DATE
1.27mm Female Header Connectors	PM127V-12-XX-H43	2022/08/29

CHKD APPD DATE