

THIS DRAWING IS UNPUBLISHED.

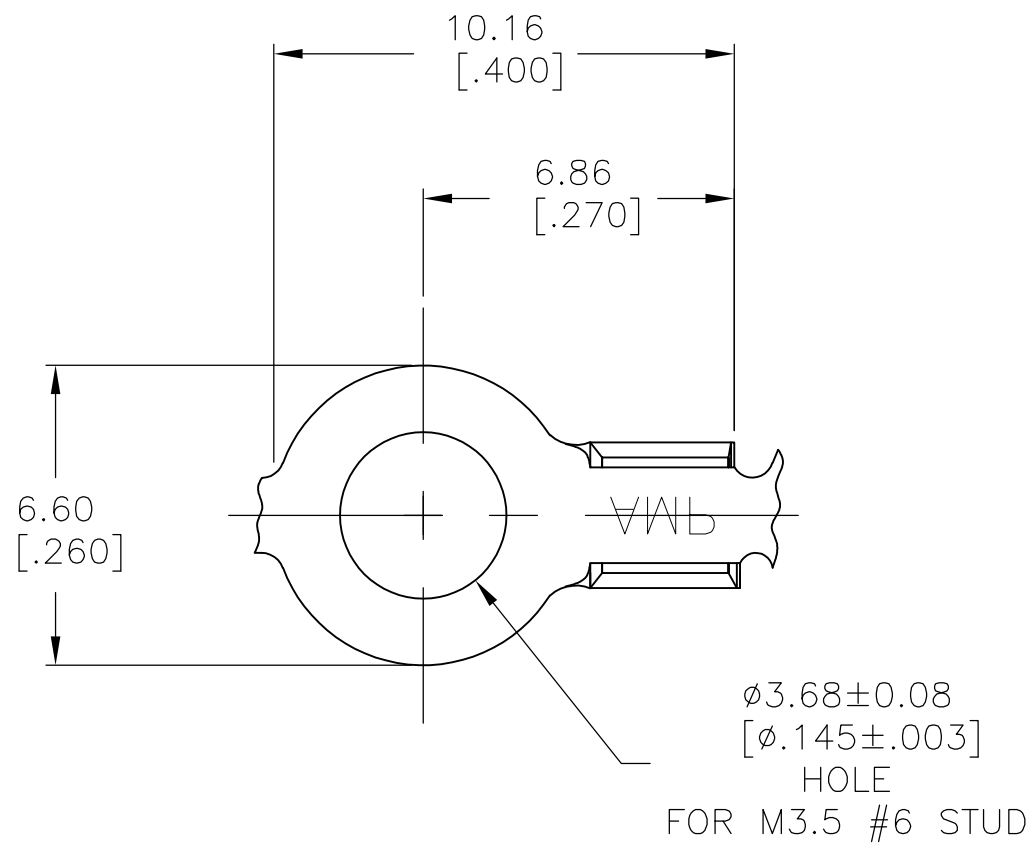
RELEASED FOR PUBLICATION

REVISIONS

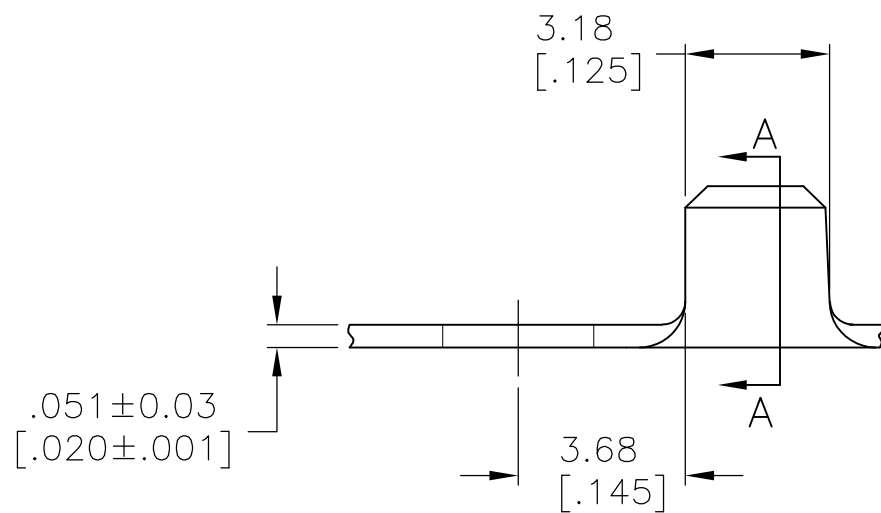
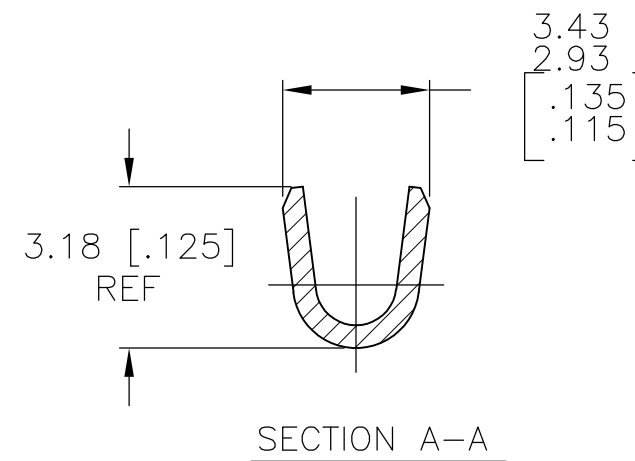
© COPYRIGHT - By -

ALL RIGHTS RESERVED.

| P | LTR | DESCRIPTION               | DATE      | DWN | APVD |
|---|-----|---------------------------|-----------|-----|------|
|   | D2  | REVISED PER ECR-16-016667 | 28NOV2016 | JJ  | TD   |



- 1 CONTINUOUS STRIP ON REELS
- △ PRELIMINARY-NOT FOR PRODUCTION.



|                 |                                  |           |
|-----------------|----------------------------------|-----------|
| STAINLESS STEEL | 0.5-1.4mm <sup>2</sup> [#20-#16] | △ 40811-2 |
| T3 STEEL        | 0.5-1.4mm <sup>2</sup> [#20-#16] | 40811-1   |
| BRASS           | 0.5-1.4mm <sup>2</sup> [#20-#16] | 40811     |
| MATERIAL        | WIRE RANGE                       | PART NO   |

|  |  |                               |                            |                 |            |
|--|--|-------------------------------|----------------------------|-----------------|------------|
| THIS DRAWING IS A CONTROLLED DOCUMENT. |  | DWN<br>RAGHAVENDRA<br>23FEB09 | <b>STE</b> TE Connectivity |                 |            |
| DIMENSIONS:<br>mm [INCHES]             |  | CHK<br>JEFF RUTH<br>23FEB09   |                            |                 |            |
| TOLERANCES UNLESS OTHERWISE SPECIFIED: |  | APVD<br>DON DECKER<br>23FEB09 | NAME                       |                 |            |
| 0 PLC ± -                              |  | PRODUCT SPEC                  | RING                       |                 |            |
| 1 PLC ± -                              |  | APPLICATION SPEC              | RESTRICTED TO              |                 |            |
| 2 PLC ± -                              |  | —                             | SIZE                       | CAGE CODE       | DRAWING NO |
| 3 PLC ± 0.38 [.015]                    |  | —                             | —                          | —               | —          |
| 4 PLC ± -                              |  | —                             | WEIGHT                     | A300779 C-40811 |            |
| ANGLES ± -                             |  | —                             | CUSTOMER DRAWING           |                 |            |
| FINISH                                 |  | —                             | SCALE                      | SHEET           | REV        |
| SEE TABLE                              |  | TIN                           | 6:1                        | 1 OF 1          | D2         |