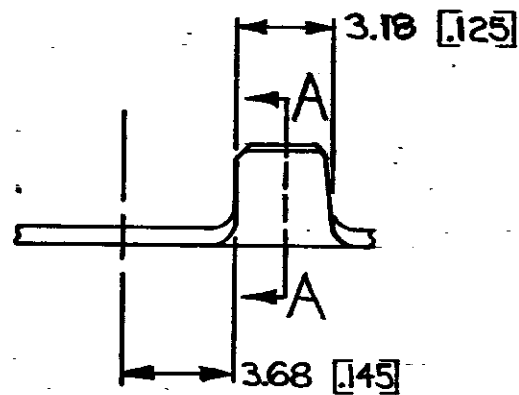
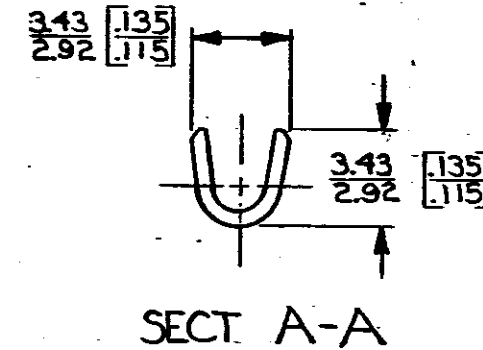
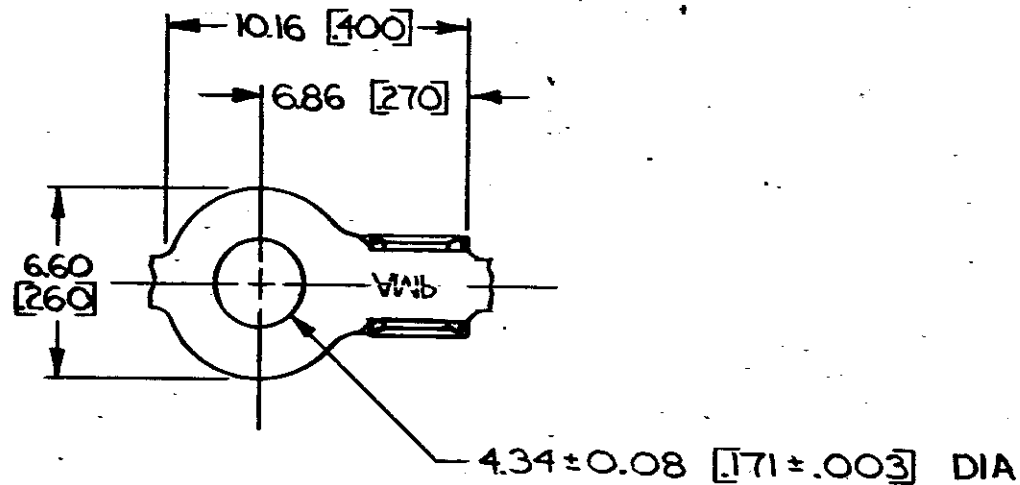


© COPYRIGHT 1969 BY AMP INCORPORATED, HARRISBURG, PA.
 ALL INTERNATIONAL RIGHTS RESERVED. AMP INCORPORATED PRODUCTS
 COVERED BY U. S. AND FOREIGN PATENTS AND/OR PATENTS PENDING.


1 LOC AF DIST 50

REVISIONS						
P	F	ZONE	LTR	DESCRIPTION	DATE	APPROVED
✓	✓		A	REDRAWN & REVISED 4-3943	2/26/78	SS/
✓	✓		B	REVISED PER A-6127	9/19/83	SS/94
✓	✓		C	REVISED AF1947	5/19/86	SS/94



- 1. CONTINUOUS STRIP ON REELS.
- 2. DIMENSIONS IN BRACKETS ARE IN INCHES.

METRIC

M 4 * 8	0.5-1.4 mm ² [20-16]	NONE	0.51 [0.020] BRASS	40749
STUD SIZE	WIRE RANGE	FINISH	MATERIAL	PART NO
UNLESS OTHERWISE SPECIFIED DIMENSIONS ARE IN mm		CONTRACT NO		 AMP INCORPORATED Harrisburg, Pa.
TOLERANCES ON: DECIMALS ± 0.38 [0.15] ANGLES ± 1°		DR <i>L. Magano</i> 4/26/78	NAME	
MATERIAL	SEE TABLE	CHK <i>L. Hoffmann</i> 7/22/78	RING	
FINISH	SEE TABLE	APPD <i>R.P. Frantz</i> 8-1-78	SIZE	CODE IDENT NO
		APPD <i>Co. 7/1/78</i> 8-1-78	B	00779
		DSGN APPD	DRAWING NO	40749
		OTHER APPD	SCALE	SHEET