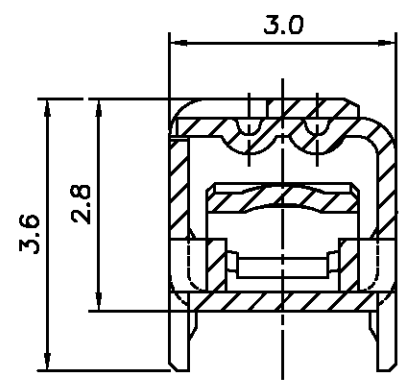


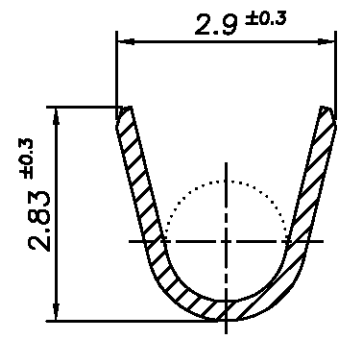
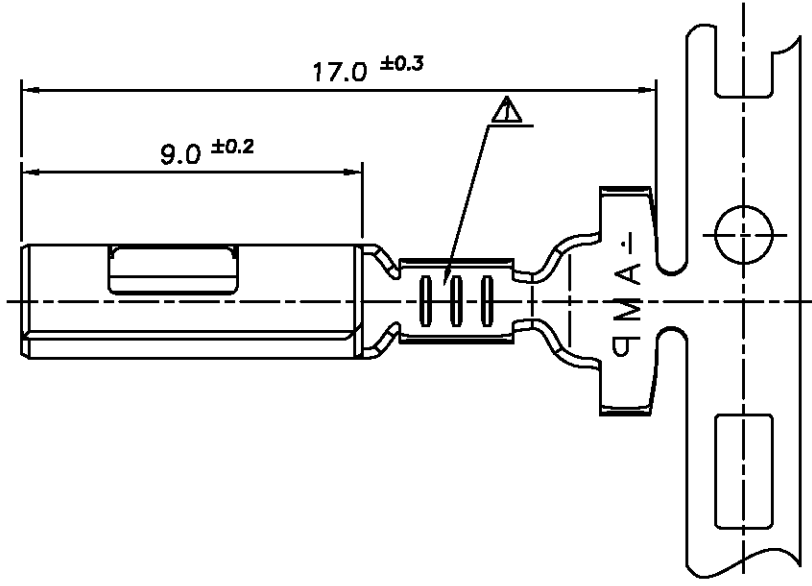
THIS DRAWING IS UNPUBLISHED. RELEASED FOR PUBLICATION 1998 .
 © COPYRIGHT 1998 BY AMP KOREA. ALL RIGHTS RESERVED.

LOC		DIST		REVISIONS			
P	LTR	DESCRIPTION		DATE	DWN	APVD	
	0	RELEASED	PER ECN FC00-0107-98	30.NOV'98	YM	CS	

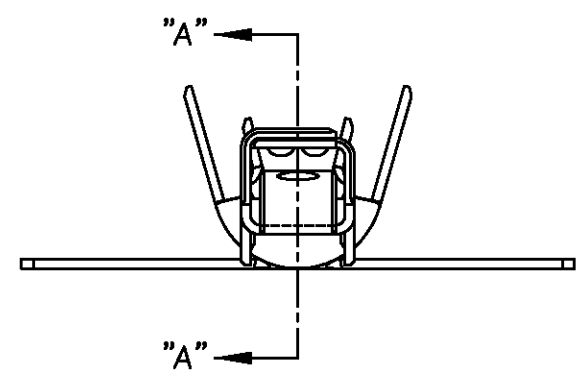
D
C
B
A



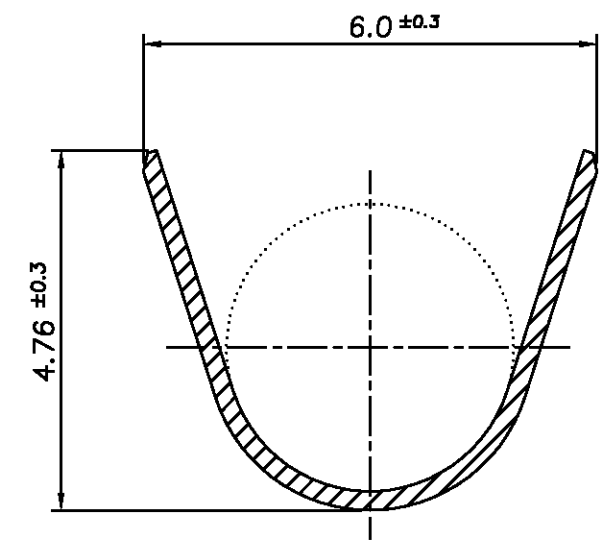
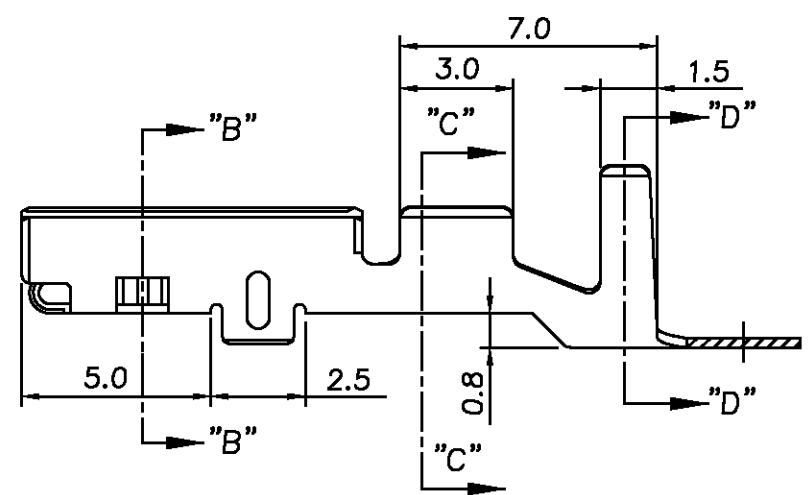
SECTION "B-B"
scale 10/1



SECTION "C-C"
scale 10/1



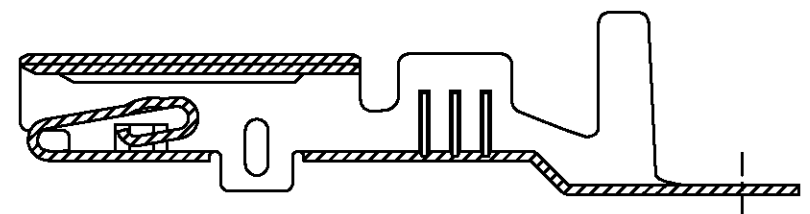
SECTION "A-A"



SECTION "D-D"
scale 10/1

* NOTES

△ THREE SERRATIONS CENTERED IN WIRE BARREL.
 2 WIRE SIZE EQUIV AVSS 0.85 ~ AVS 1.25sqmm.



THIS DRAWING IS CONTROLLED DOCUMENT FOR AMP KOREA. IT IS SUBJECT TO CHANGE AND THE CONTROLLING ENGINEERING ORGANIZATION SHOULD BE CONTACTED FOR THE LATEST REVISION.		DWN	YM CHOI	30.NOV'98	AMP AMP KOREA. kyungsan, korea		
DIMENSIONS: MM		CHK	BM JANG	30.NOV'98			
TOLERANCES UNLESS OTHERWISE SPECIFIED: 0 <XX<10 ± 0.2 10<XX<30 ± 0.25 ANGLES ± 3°		APVD	CS LEE	30.NOV'98	NAME .090 II SEALED RECEPTACLE		
MATERIAL BRASS STRIP 0.25THK.		PRODUCT SPEC	108-61034		SIZE	CAGE CODE	DRAWING NO
FINISH PRE-TINNED		APPLICATION SPEC	114-		A3	00779	©- 3 6 8 2 8 8
		WEIGHT	0.43gf		SCALE	5/1	SHEET 1 OF 1 REV 0