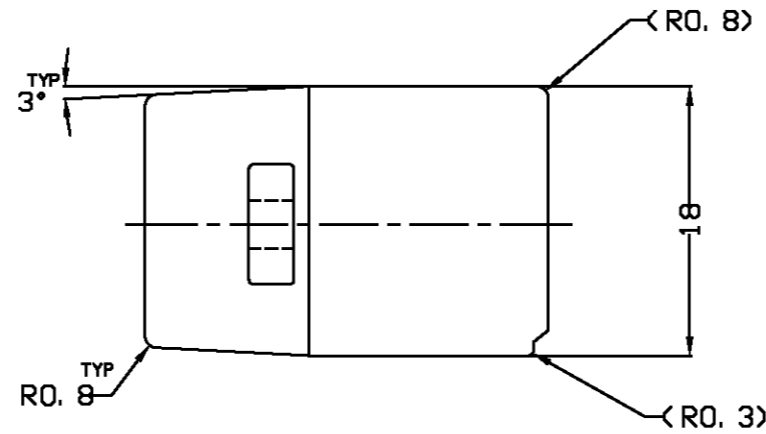
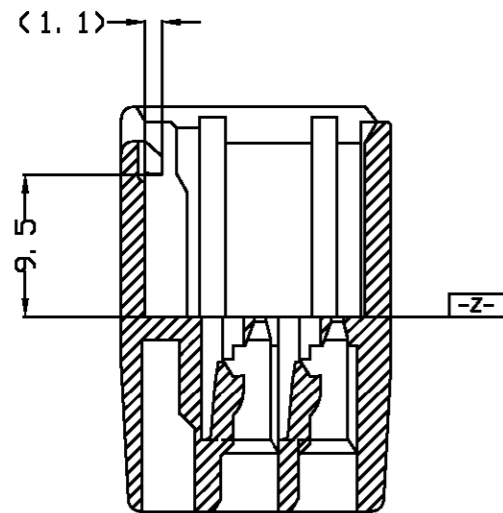
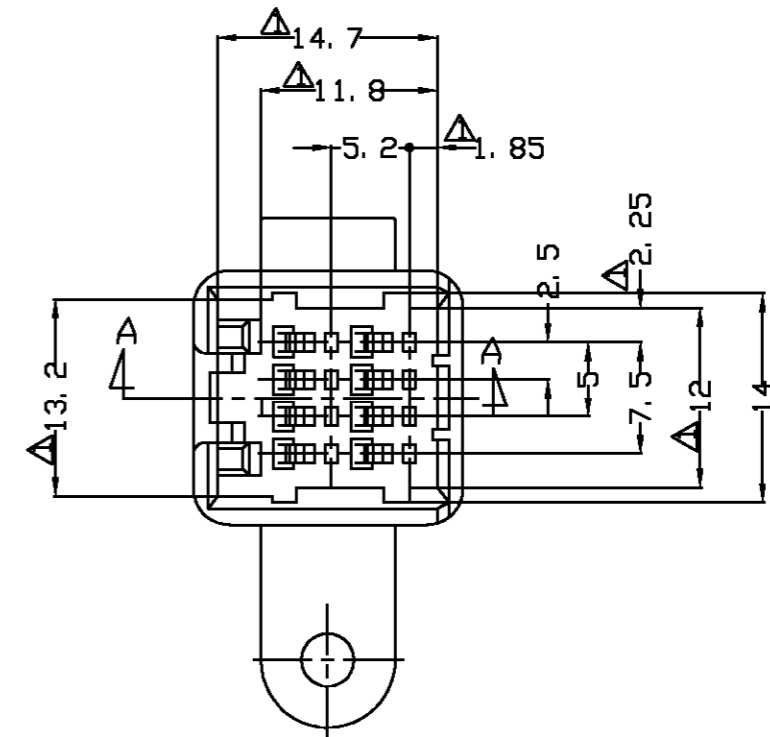
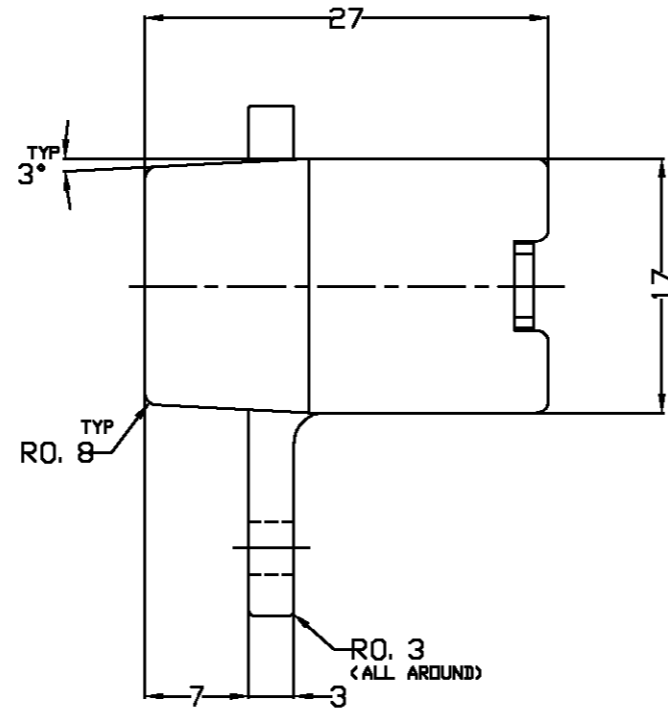
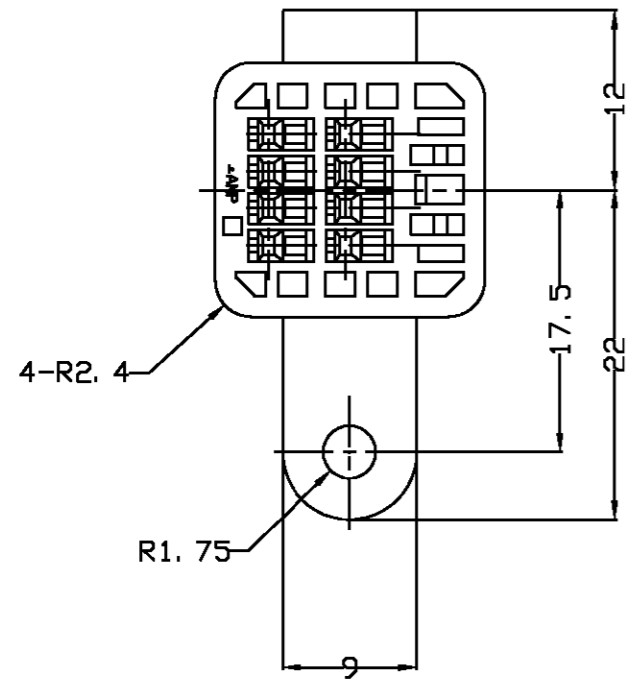


CUSTOMER DRAWING



- ⚠ TO BE MEASURED WITHIN 2mm FORM [-Z-]
- 2. THE MATING PLUG HOUSING PART NUMBER: 174044
- 3. APPLICABLE CONTACT PART NUMBER: 173682

368191-2	BLACK
PART NO	COLOR

PRINT DIST.

					© 1997 AMP KOREA ALL RIGHT RESERVED AMP PRODUCTS COVERED BY PATENTS AND DR PATENTS PENDING		<b>AMP</b> AMP KOREA			
					WIRE RANGE	INSULATION DIA	NAME 8 POS. CAP HOUSING .040 SERIES MULTI-LOCK CONNECTOR (HMC)			
					MATERIAL PBT	FINISH/COLOR SEE TABLE	TOLERANCES	SIZE	LOC	NUMBER
					DR	APP	0<XX<10 ±0.2 10<XX<30 ±0.25 30<XX<100±0.3 ANGLES ±3°	A3	DS	3 6 8 1 9 1
LTR REVISION RECORD					DR	CHK	SCALE	REV	SHEET	
							3/1			