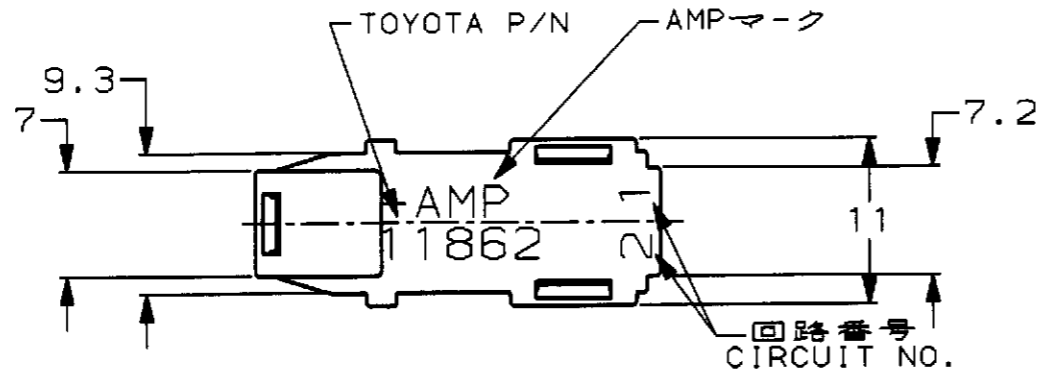
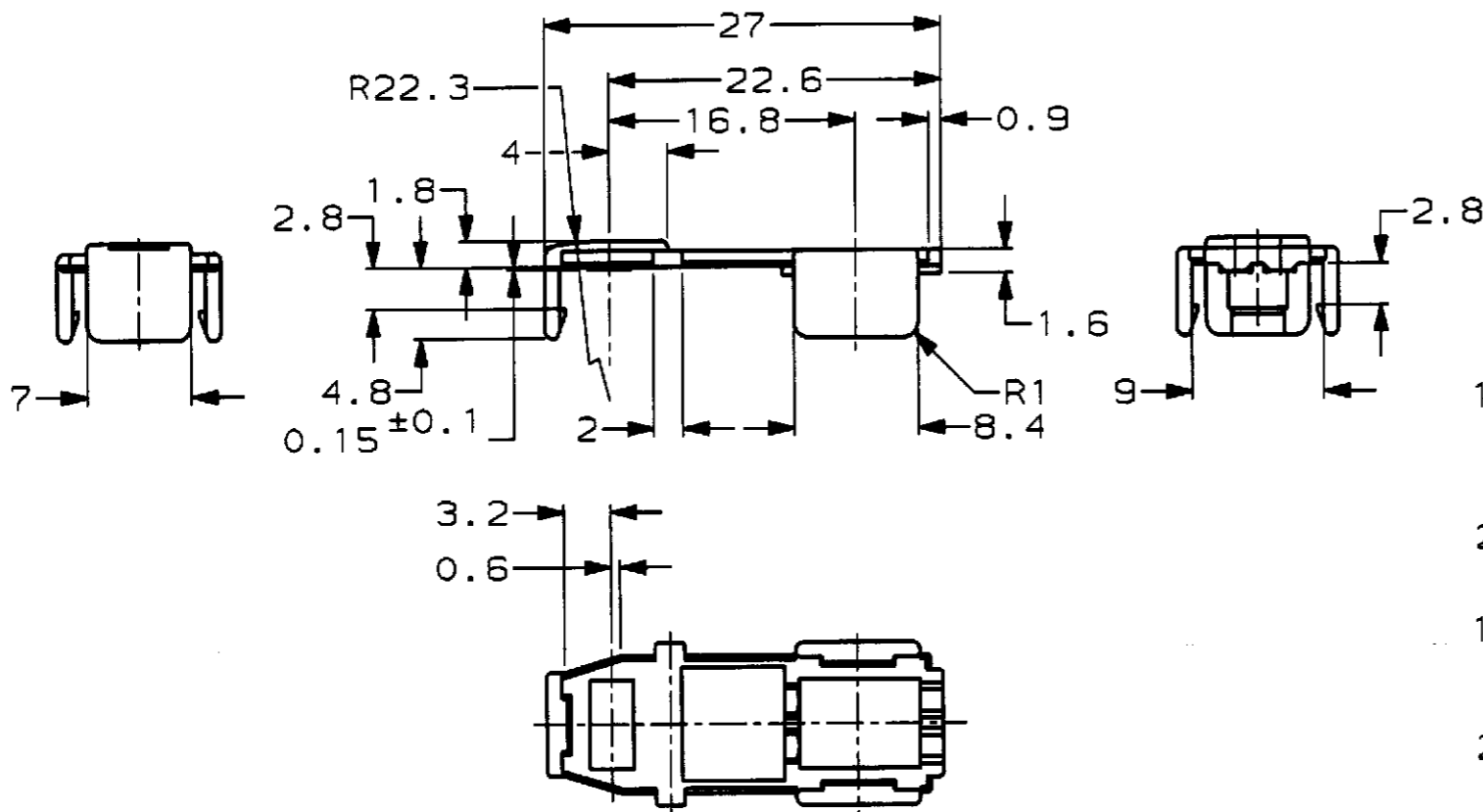


LOC J

REVISIONS					
P	LTR	DESCRIPTION	ECN	DATE	DWN APVD
	0	DRAWN	FJ00-5610-96	10/24'96	TH SI
	A	REVISED	FJ00-0254-97	2/20'97	TH KY
	B	REVISED	FJ00-1630-98	27AUG98	TH KY
	C	REVISED	FJ00-1795-98	17SEP98	TH KY



-7: AS SHOWN  
 -7: 本 ☒



- 1 本品は  
スクイブ コネクタ ハウジング(メイン)(P/N 353377)  
スクイブ コネクタ フェライト(P/N 353379)  
と組立てられる
  - 2 取扱説明書: 411-5785
- 
- 1 TO BE ASSEMBLED WITH  
SQUIB CONNECTOR HOUSING(MAIN) (P/N 353377)  
SQUIB CONNECTOR FERRITE (P/N 353379)
  - 2 INSTRUCTION SHEET: 411-5785

<small>THIS DRAWING IS A CONTROLLED DOCUMENT FOR AMP INCORPORATED. IT IS SUBJECT TO CHANGE AND THE CONTROLLING ENGINEERING ORGANIZATION SHOULD BE CONTACTED FOR THE LATEST REVISION.</small>		DWN 10/25'96 <b>T. HIBINO</b>	WIRE RANGE <small>包含電線断面積</small>	INSULATION DIA <small>被覆外径</small>
DIMENSIONS <small>単位: ㎜</small> mm		CHK 10/25'96 <b>Y. OKADA</b>	<b>AMP</b> <small>アールピーエム</small> Kawasaki, Japan	
TOLERANCES UNLESS OTHERWISE SPECIFIED 一般公差 10% : ±0.2 30% : ±0.25 100% : ±0.3 ANGLE : ±0.3°		APVD 10/28'96 <b>S. ISOHATA</b>		
MATERIAL 材料 <b>PBT</b>		PRODUCT SPEC <b>108-5572</b>	NAME <b>SQUIB CONNECTOR HOUSING (LID)</b> スクイブ コネクタ ハウジング(リッド)	
FINISH 仕上		APPLICATION SPEC <b>114-5234</b>	SIZE <b>A3</b>	CAGE CODE <b>00779</b>
WEIGHT <b>0.44g</b>		DRAWING NO. <b>353378</b>		SCALE 尺度 <b>2-1</b>
CUSTOMER DRAWING		SHEET 1 OF 1		REV <b>C</b>