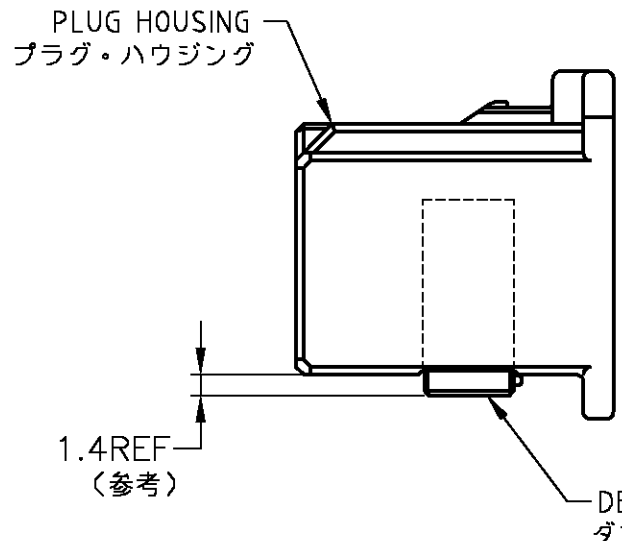
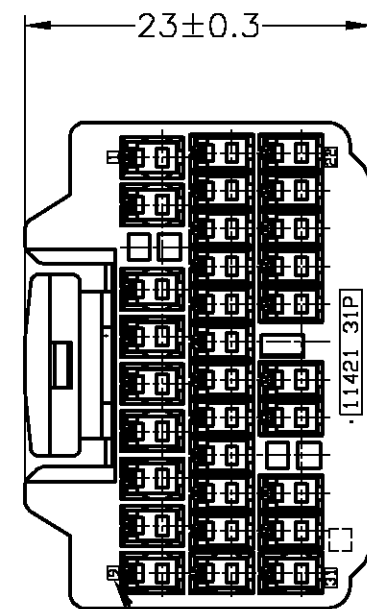
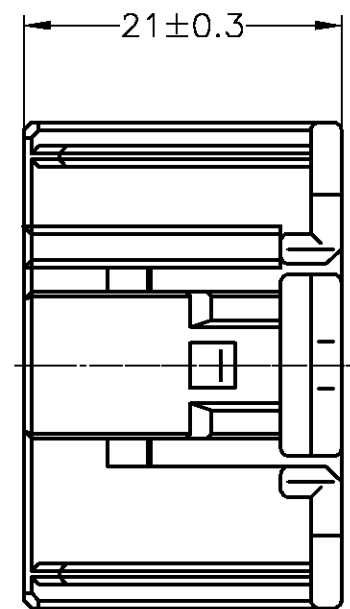
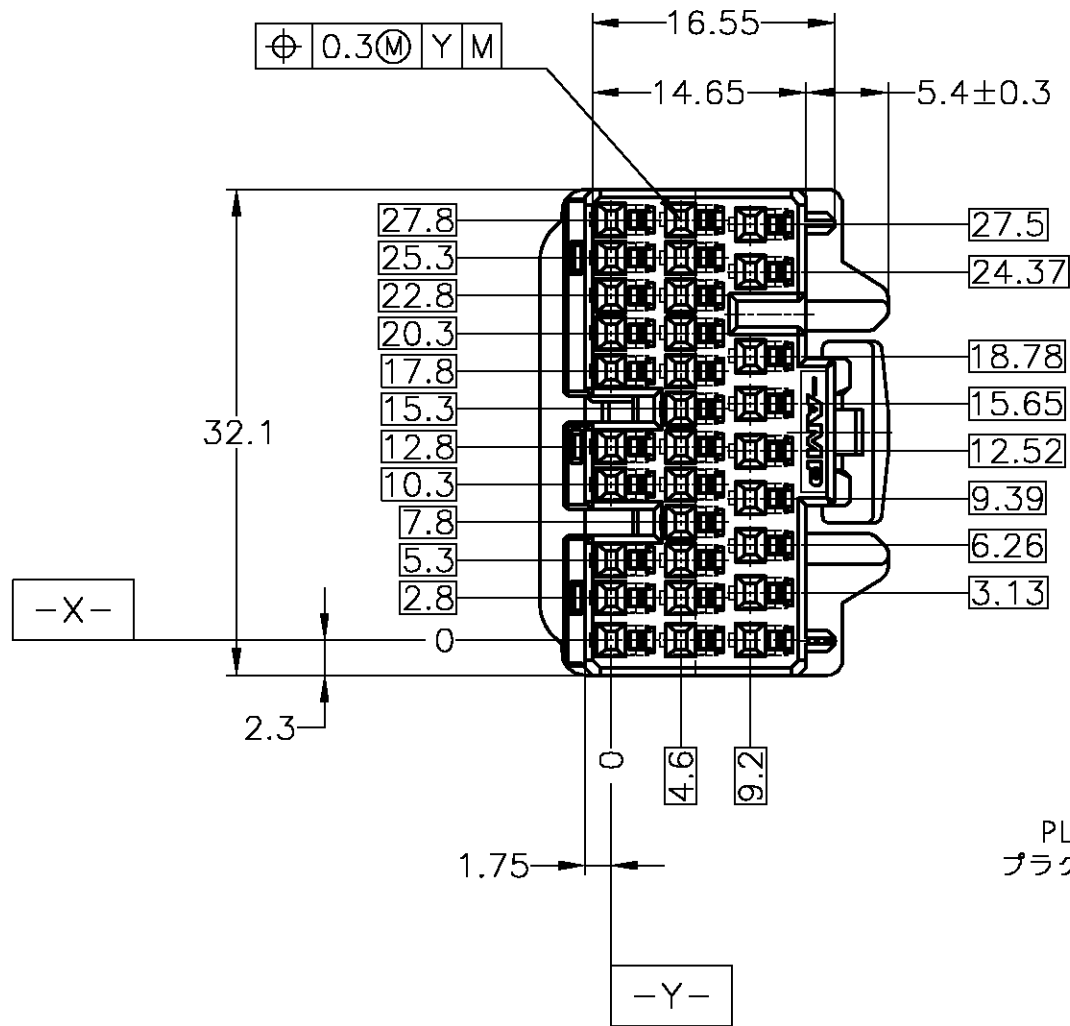


THIS DRAWING IS UNPUBLISHED. RELEASED FOR PUBLICATION
 © COPYRIGHT BY TYCO ELECTRONICS CORPORATION. ALL RIGHTS RESERVED.

LOC	DIST	REVISIONS					
		P	LTR	DESCRIPTION	DATE	DWN	APVD
J	—	B1		REDRAWN W/CHANGE	03JUL07	TS	KB
				ECR-07-015761			



CIRCUIT NUMBER
回路番号

- 1. PART NUMBER OF CAP HOUSING TO BE MATED; 353015, 353016
- 2. DETAILS OF CAVITIES; SEE TABLE-1

- 1. 嵌合相手ハウジング型番：353015, 353016
- 2. キャビティ構成は、TABLE-1 参照

TABLE-1

CAVITY キャビティ	POS. 極数	CIRCUIT NO 回路番号	APPLIED CONTACT P/N 適用端子型番	APPLICABLE WIRE RANGE 適用電線
	20	10-20 22-30	316836, 316837	AVSS/CAVS 0.3-0.5mm ² CAVUS 0.3-0.5mm ²
	11	1-9 21 31	316836, 316837 316838	AVS 0.5mm ² AVSS/CAVS 0.85-1.25mm ² CAVUS 1.25mm ²

TOLERANCES UNLESS OTHERWISE SPECIFIED: 一般公差

10 _μ	±0.2
30 _μ	±0.25
100 _μ	±0.3
ANGLE	±3°

THIS DRAWING IS A CONTROLLED DOCUMENT.

DIMENSIONS: 単位：mm	TOLERANCES UNLESS OTHERWISE SPECIFIED: 一般公差
	0 PLC ± 1 PLC ± 2 PLC ± 3 PLC ± 4 PLC ± ANGLES ±
MATERIAL 材料	FINISH 仕上
PBT	-

DWN	T.SHINOHARA	03JUL07
CHK	K.BETSUI	03JUL07
APVD	K.BETSUI	03JUL07
PRODUCT SPEC	製品規格	108-5529
APPLICATION SPEC	取付適用規格	114-5217
WEIGHT	6.91g	

ORANGE	353031-3		
BLACK	353031-2		
NATURAL	353031-1		
COLOR	PART NUMBER		
Tyco Electronics AMP K.K. Kawasaki, Japan			
NAME 名称 040III HIGH DENSITY CONNECTOR 31 POSITION PLUG HOUSING ASSEMBLY			
SIZE	CAGE CODE	DRAWING NO 番号	RESTRICTED TO
A3	00779	C-353031	-
SCALE 尺度		SHEET	REV
2:1		1 OF 1	B1