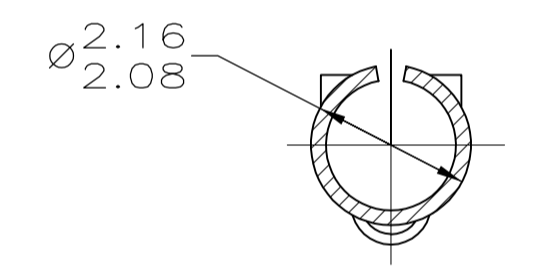
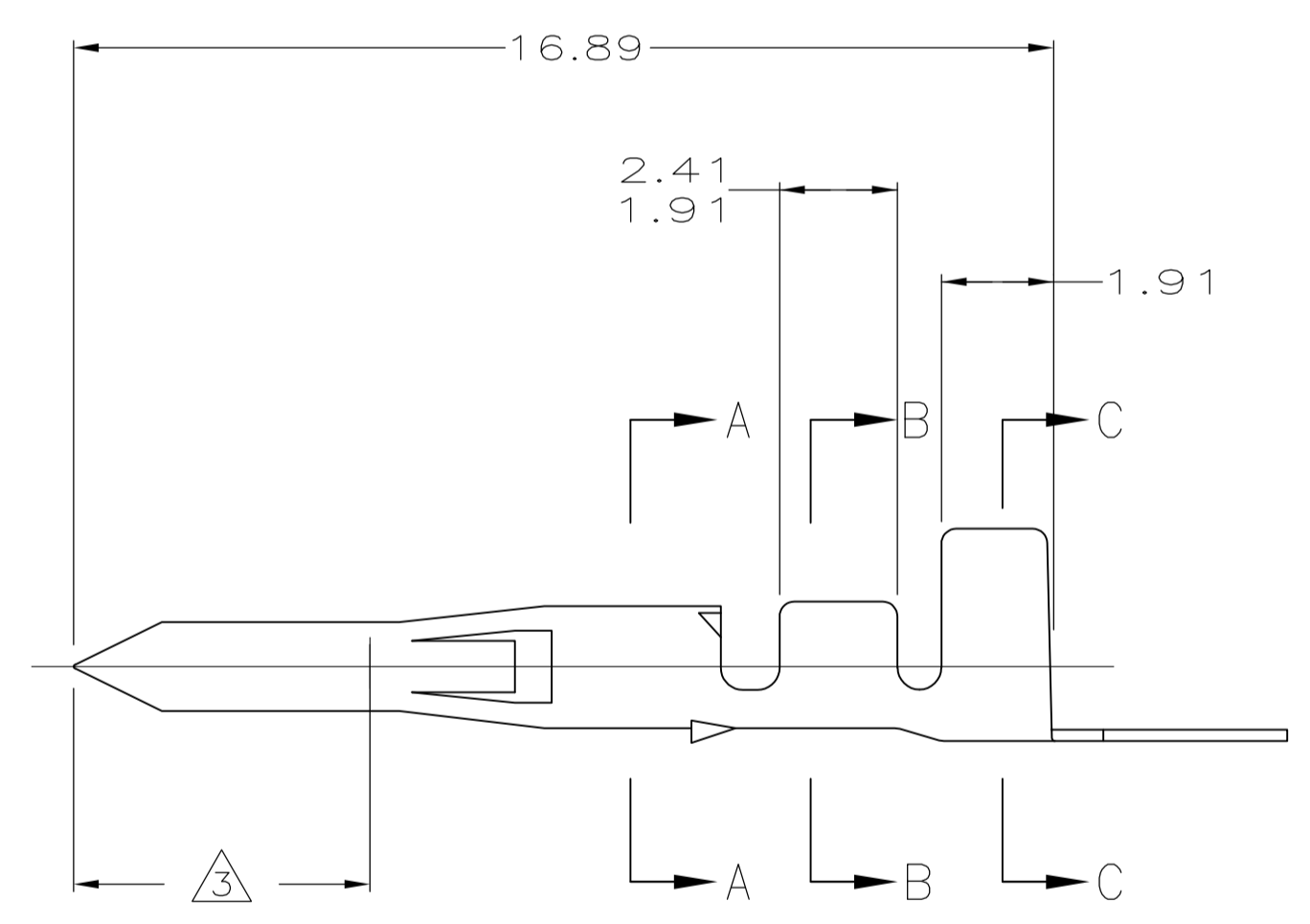
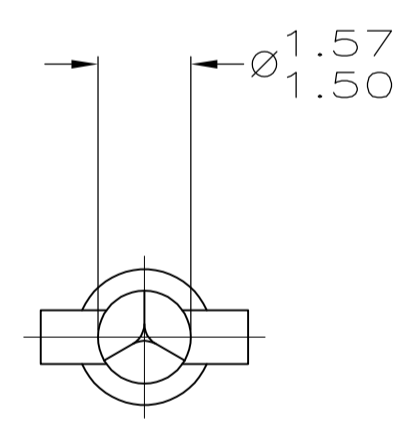
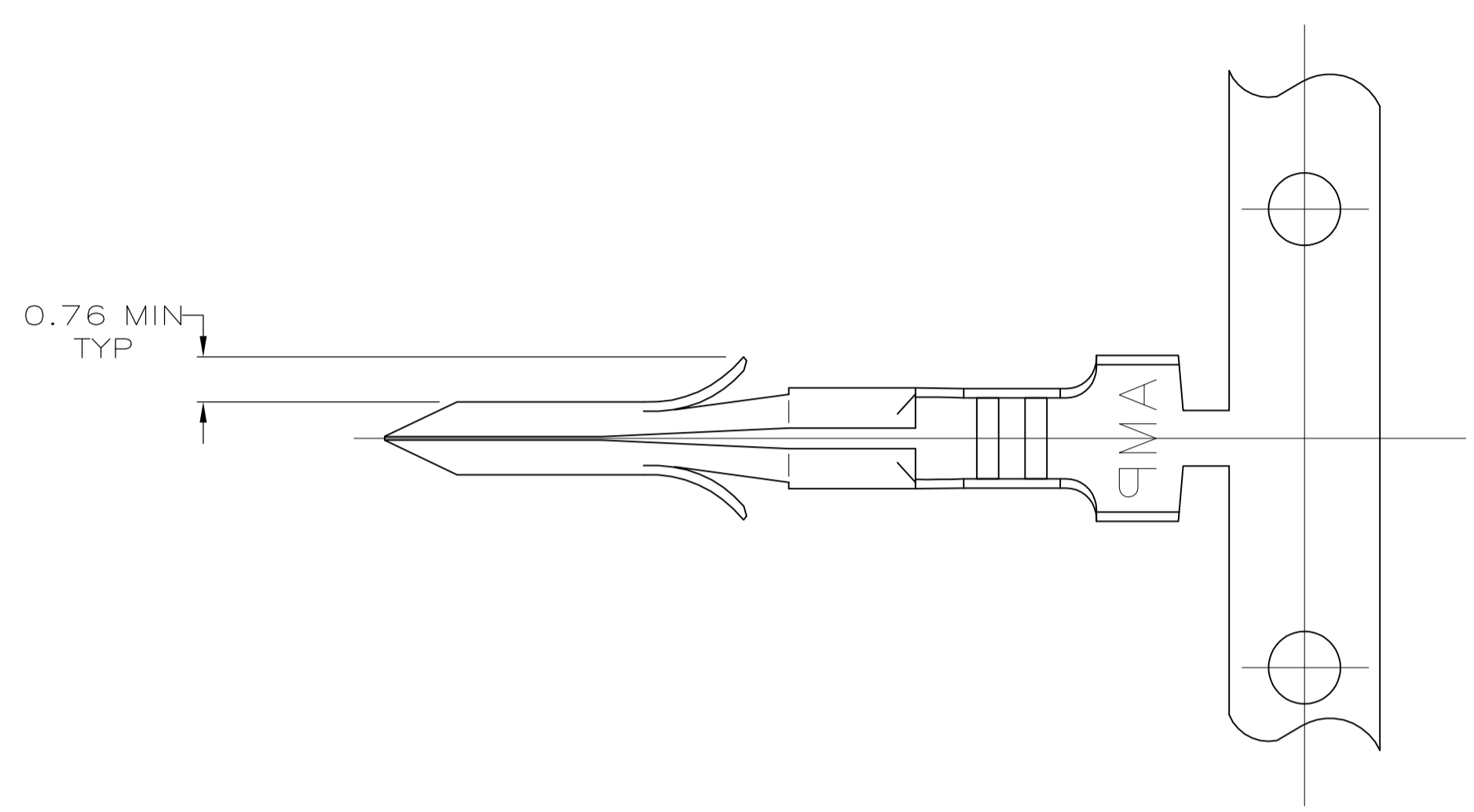
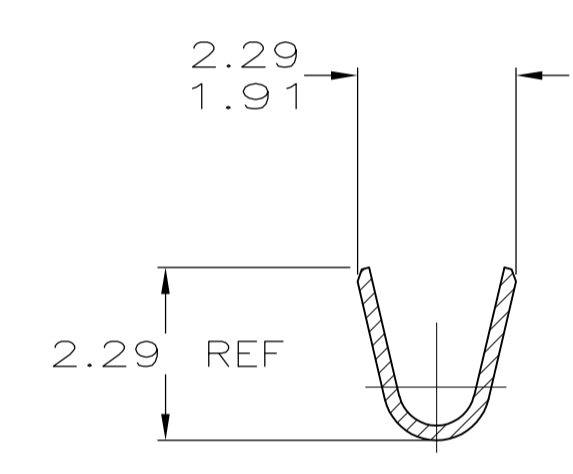


LOC		DIST		REVISIONS			
CM	53	P	LTR	DESCRIPTION	DATE	DMN	APVD
U1		REVISED PER	ECO-11-004917		11MAR11	RK	HMR

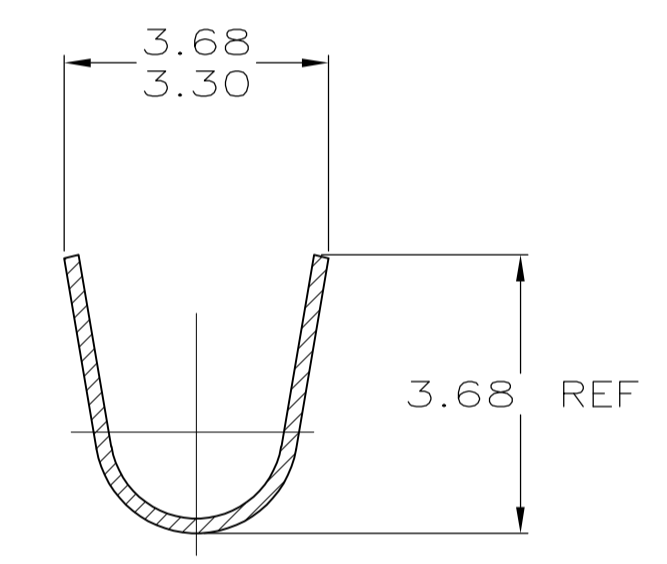
△ NICKEL OVER ENTIRE TERMINAL WITH 0.00076 THICK GOLD OVER 5.08 LENGTH.



SECTION A-A
SCALE 10:1



SECTION B-B
SCALE 10:1



SECTION C-C
SCALE 10:1

1.50	.059	2.41	.095	-	-
1.27	.050	2.29	.090	16.89	.665
0.76	.030	2.16	.085	5.08	.200
0.20	.008	2.08	.082	3.68	.145
0.13	.005	1.91	.075	3.30	.130
0.00076	0.00030	1.57	.062	2.79	.110
MM	IN	MM	IN	MM	IN

CONVERSION TABLE

PRE-TIN	0.20 PH BRZ	1.27 - 2.79	0.2 - 0.9 mm ² (24-18 AWG)	350629-8
△	0.20 BRASS	1.27 - 2.79	0.2 - 0.9 mm ² (24-18 AWG)	350629-5
PRE-TIN	0.20 BRASS	1.27 - 2.79	0.2 - 0.9 mm ² (24-18 AWG)	350629-1
FINISH	MATERIAL	INSULATION DIAMETER	WIRE RANGE	PART NO

THIS DRAWING IS A CONTROLLED DOCUMENT.

APPROVED: R. LEWIS (9-12-90), R. SWING (9-13-90), C. CASH (9-27-90)

NAME: .062 PIN, COMMERCIAL PIN AND SOCKET

SIZE: A1, CASE CODE: 00779, DRAWING NO: 350629

SCALE: 8:1, SHEET: 1 OF 1, REV: U1

CUSTOMER DRAWING