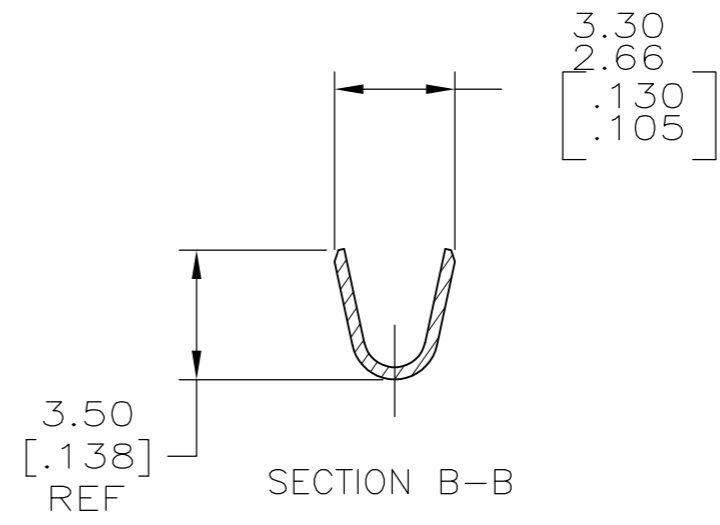
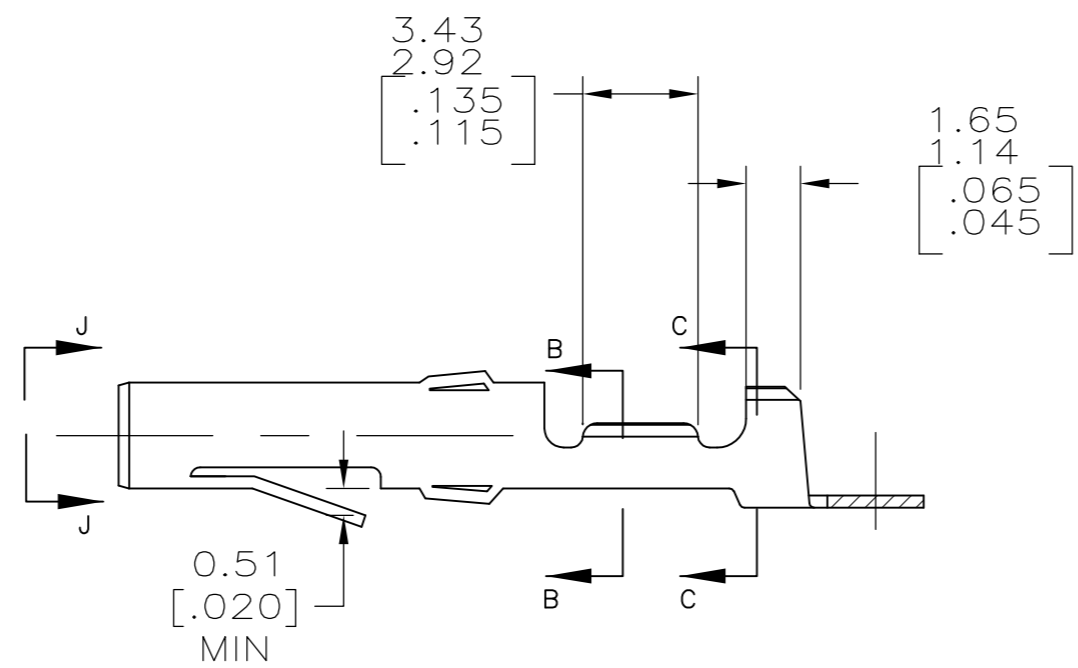
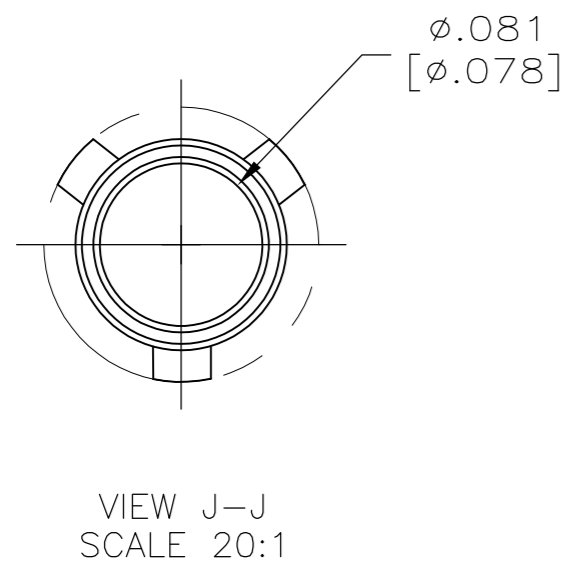
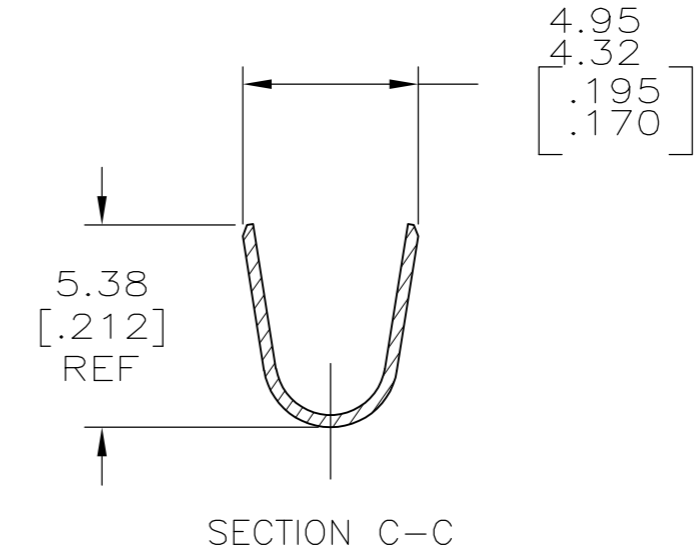
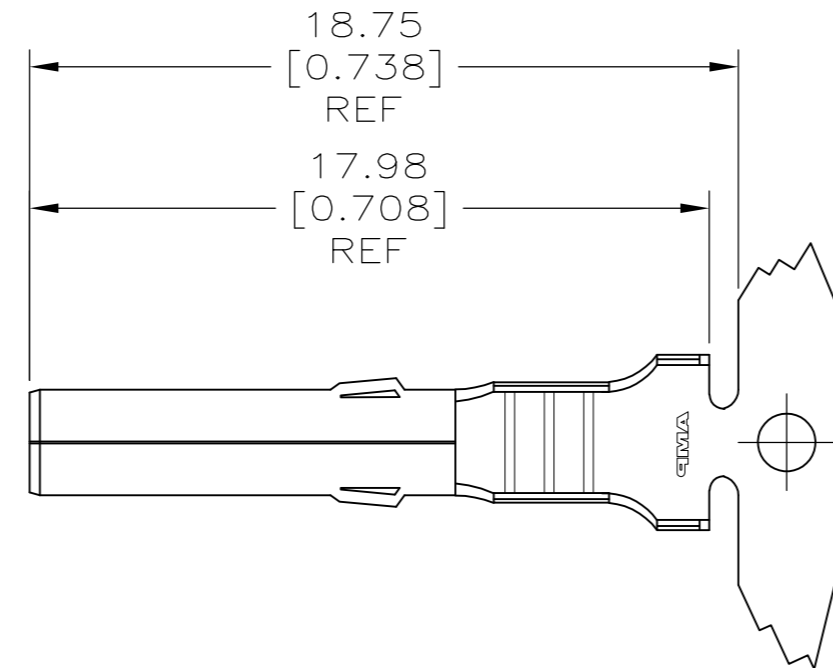


THIS DRAWING IS UNPUBLISHED. RELEASED FOR PUBLICATION  
 © COPYRIGHT - By - ALL RIGHTS RESERVED.

LOC		DIST		REVISIONS			
P	LTR	DESCRIPTION		DATE	DWN	APVD	
CM	00	H		REVISED PER ECR-12-001565	31JAN12	KH	TM

- 1 WIRE RANGE: 2 WIRES OF 0.8 – 0.9 mm<sup>2</sup> [18 AWG] OR 1 WIRE OF 0.8 – 0.9 mm<sup>2</sup> [18 AWG] AND 1 WIRE OF 1.25 – 1.4 mm<sup>2</sup> [16 AWG].
- 2 INSULATION RANGE: 2 WIRES OF 2.92 [.115] MAX DIA EACH, STACKED.
- 3 DIMENSIONS IN BRACKETS ARE IN INCHES.



PRE-TIN	PH.BRONZE	350557-4
PRE-TIN	BRASS	350557-1
FINISH	MATERIAL	PART NO

THIS DRAWING IS A CONTROLLED DOCUMENT.		DWN	RAGHAVENDRA	23OCT2008	 TE Connectivity	
DIMENSIONS:		CHK	CASH CHRIS	23OCT2008		
mm [INCHES]		APVD	CASH CHRIS	23OCT2008		
TOLERANCES UNLESS OTHERWISE SPECIFIED:		PRODUCT SPEC		NAME		
0 PLC ± - 1 PLC ± - 2 PLC ± - 3 PLC ± 0.01 4 PLC ± - ANGLES ± 1°		APPLICATION SPEC		SIZE	A2	
MATERIAL		FINISH		WEIGHT	-	
SEE TABLE		SEE TABLE		CUSTOMER DRAWING	SCALE	5:1
				CAGE CODE	00779	
				DRAWING NO	C=350557	
				RESTRICTED TO	-	
				SHEET	1 of 1	
				REV	H	