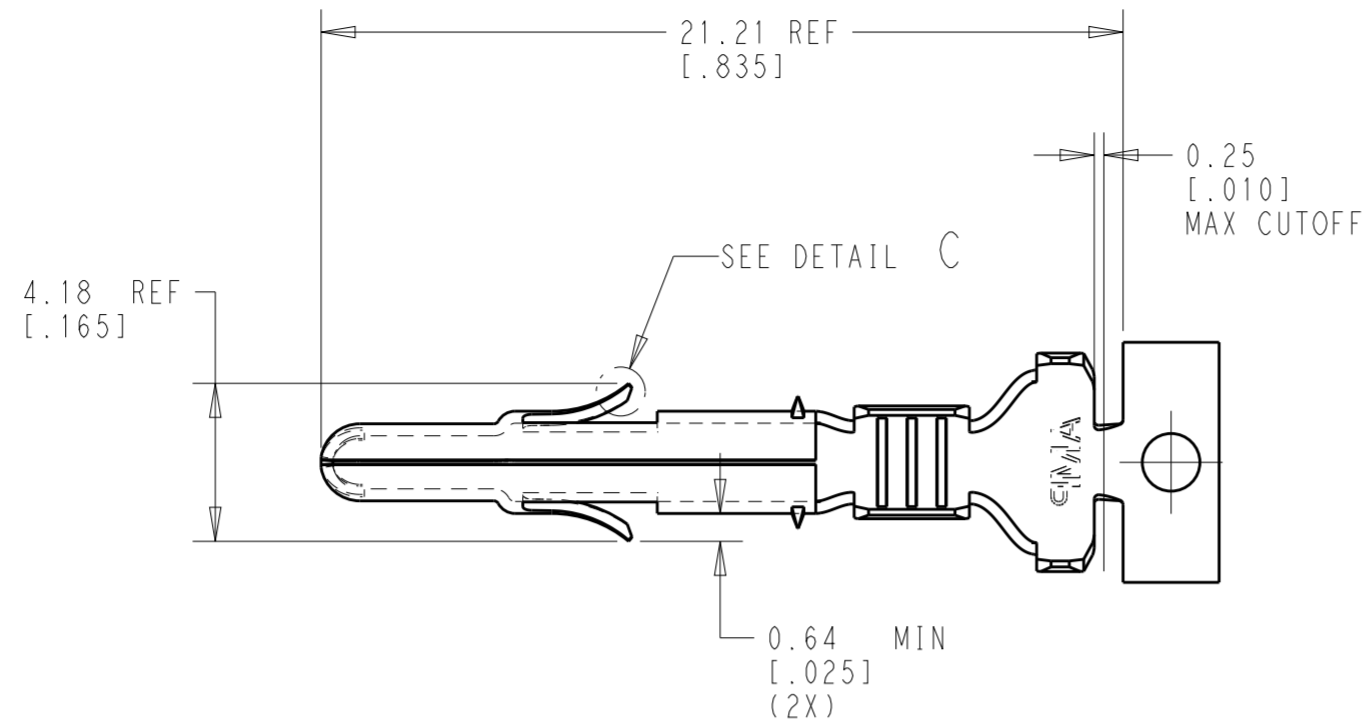
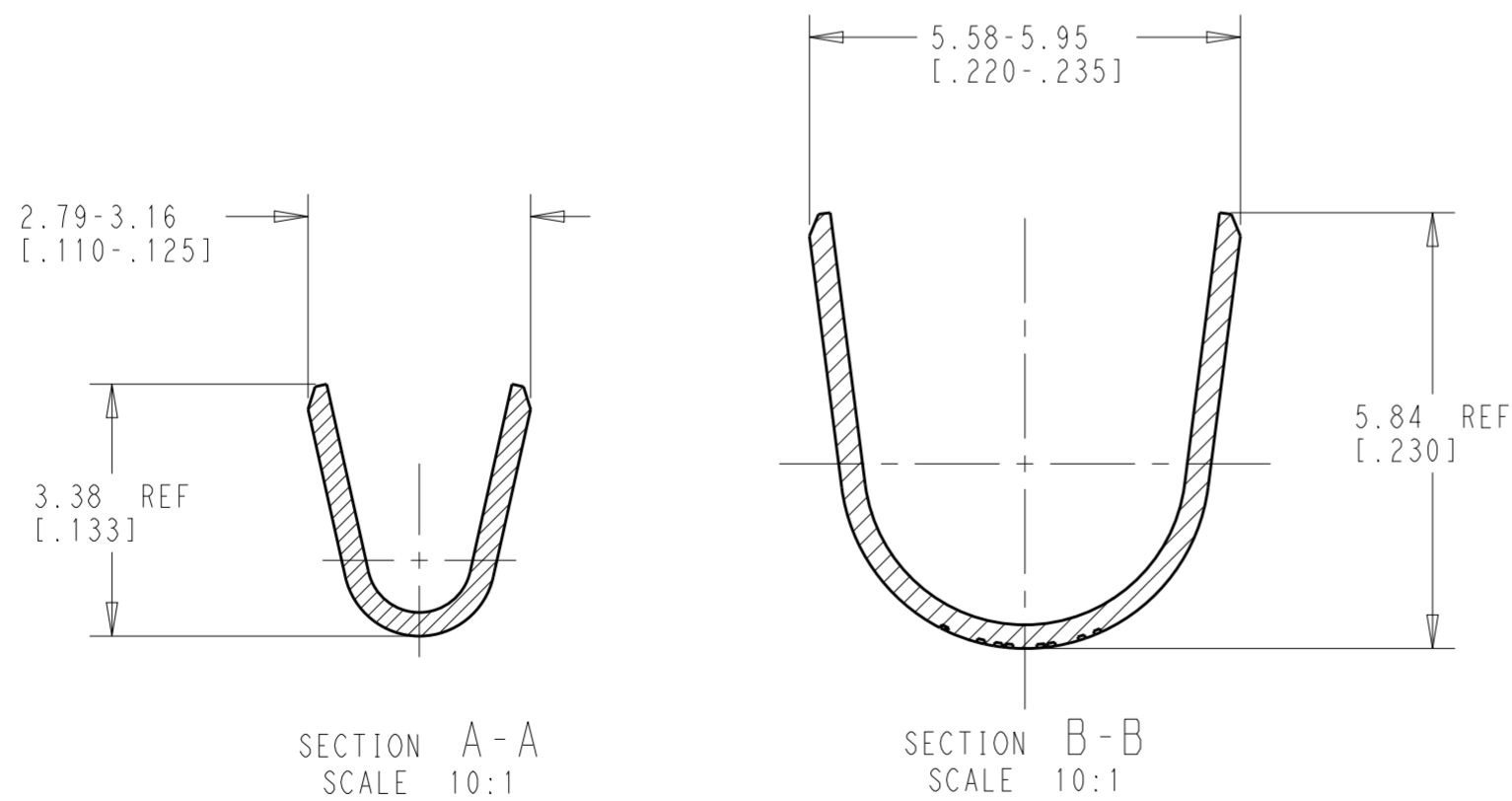
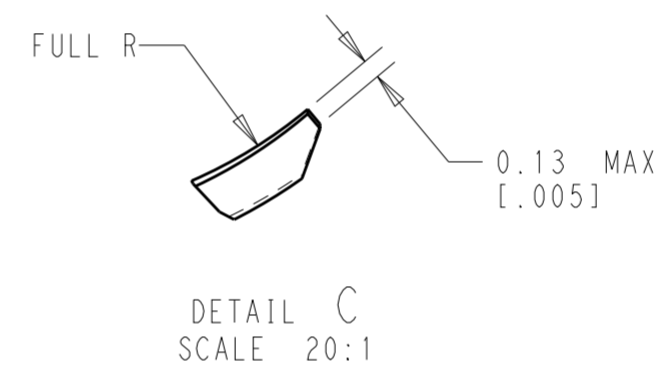
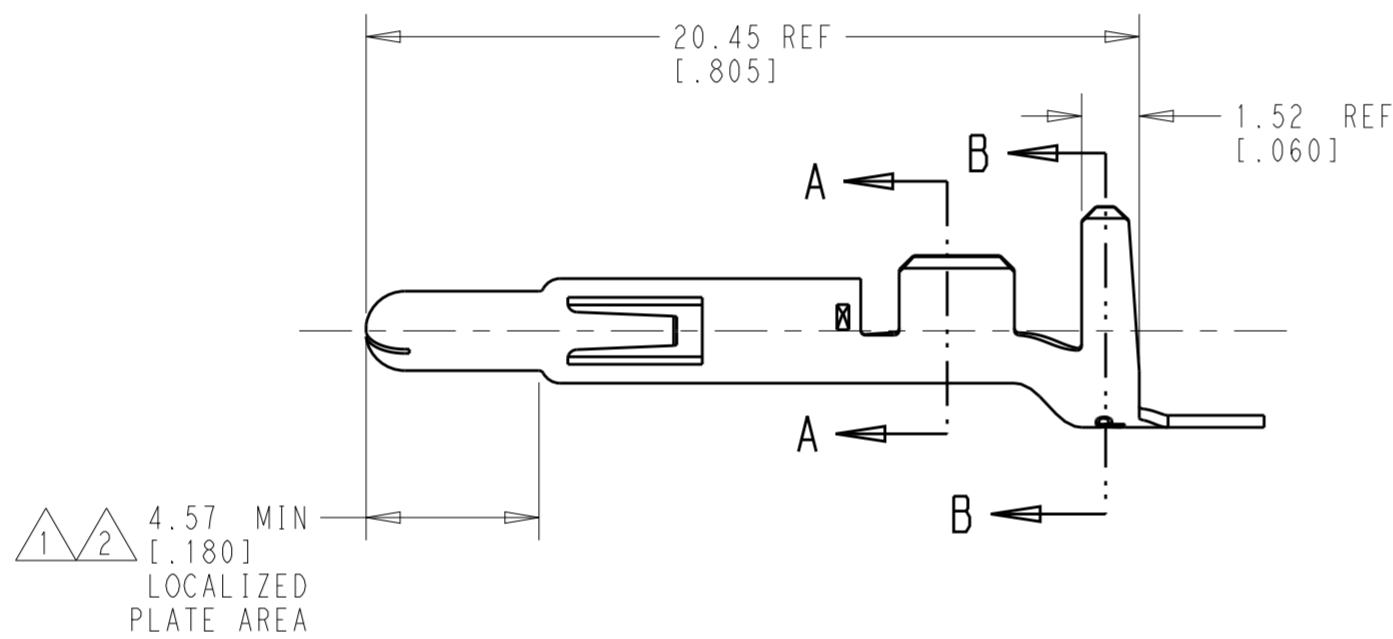
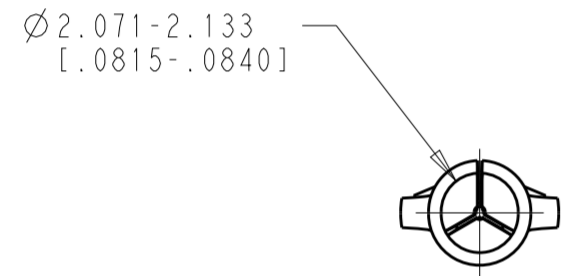


P	LTR	DESCRIPTION	DATE	DWN	APVD
	AC	REVISED PER ECO-19-006997	15MAY2019	BKW	SF
	AC1	REVISED PER ECO-19-006997	24JUL2019	BKW	SF



- 1 0.00076 [.000030] MIN THK GOLD IN LOCALIZED PLATE AREA AND 0.000127 [.000005] MIN THK GOLD FLASH ON REMAINDER OF CONTACT OVER 0.00127 [.000050] MIN THK NICKEL UNDERPLATE.
- 2 0.00076 [.000030] MIN THK GOLD IN LOCALIZED PLATE AREA OVER 0.00127 [.000050] MIN THK NICKEL UNDERPLATE.
- 3. DIMENSIONS IN BRACKETS ARE IN INCHES.
- 4. WIRE RANGE: 20-14 AWG  
INSULATION RANGE: 3.30-5.08 [.130-.200] DIAMETER



LOOSE PIECE (REF)	FINISH	MATERIAL	PART NUMBER
350552-7	GOLD $\frac{2}{2}$	0.30 [.012] BRASS	350538-7
350552-6	GOLD $\frac{2}{2}$	0.30 [.012] PH BZ	350538-6
350552-3	TIN	0.30 [.012] PH BZ	350538-3
350552-2	GOLD $\frac{1}{1}$	0.30 [.012] BRASS	350538-2
350552-1	TIN	0.30 [.012] BRASS	350538-1

THIS DRAWING IS A CONTROLLED DOCUMENT.

DIMENSIONS: mm [IN]	TOLERANCES UNLESS OTHERWISE SPECIFIED: 0 PLC ± 1 PLC ± 2 PLC ± 3 PLC ±0.20 [.008] 4 PLC ± ANGLES ± FINISH	DWN B. WEAVER 15MAY2019 CHK S. FERNANDES 15MAY2019 APVD T. BENCHOFF 15MAY2019	TE Connectivity	
MATERIAL SEE TABLE	SEE TABLE	PRODUCT SPEC 108-1031	NAME PIN, MATE-N-LOK, UNIVERSAL	
		APPLICATION SPEC 114-1010	SIZE A2	CAGE CODE 00779
		WEIGHT -	DRAWING NO C-350538	RESTRICTED TO -
CUSTOMER DRAWING			SCALE 5:1	SHEET 1 OF 1

REV AC1