

THIS DRAWING IS UNPUBLISHED.

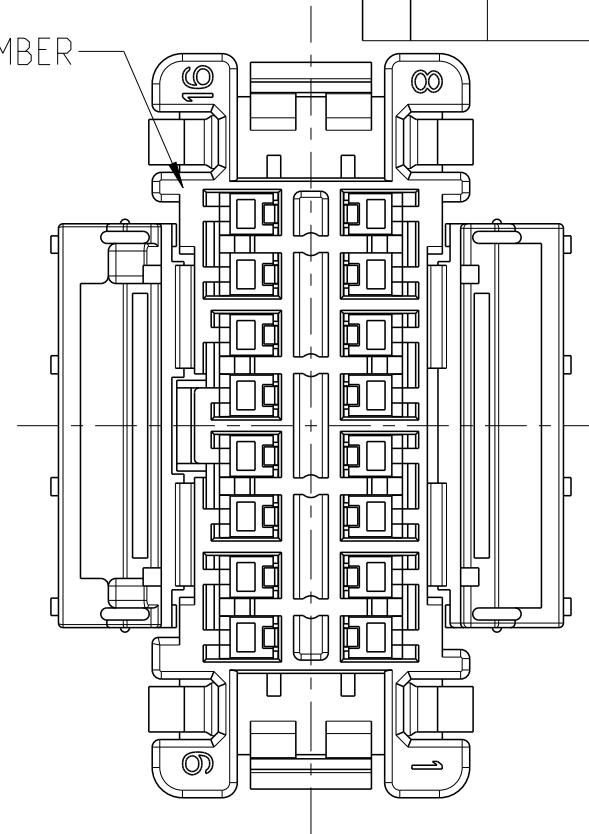
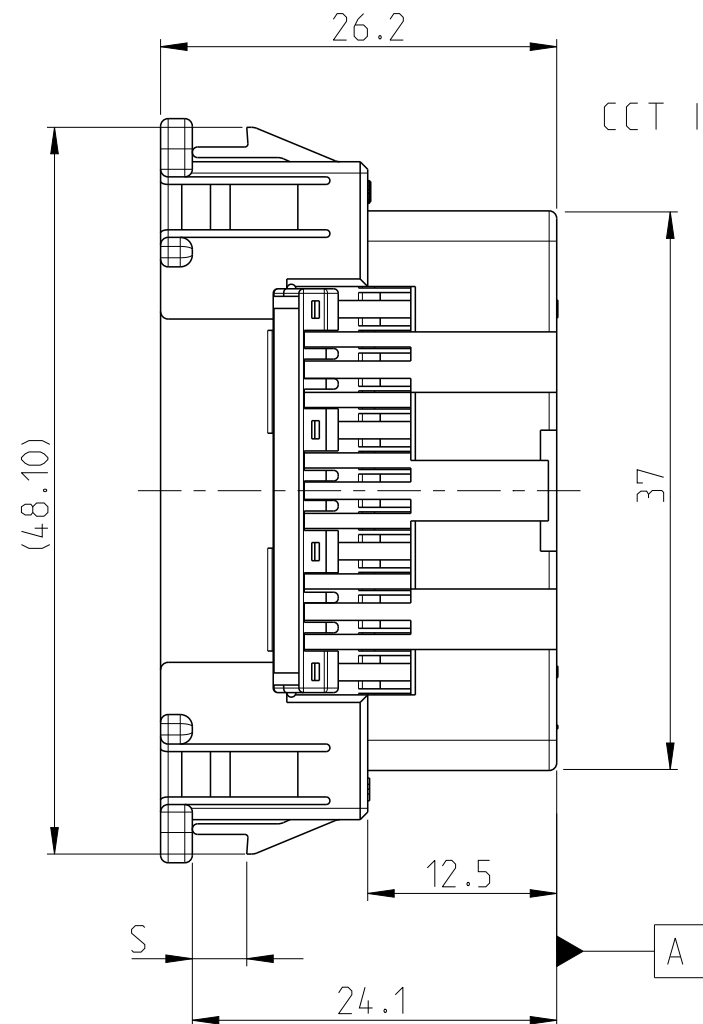
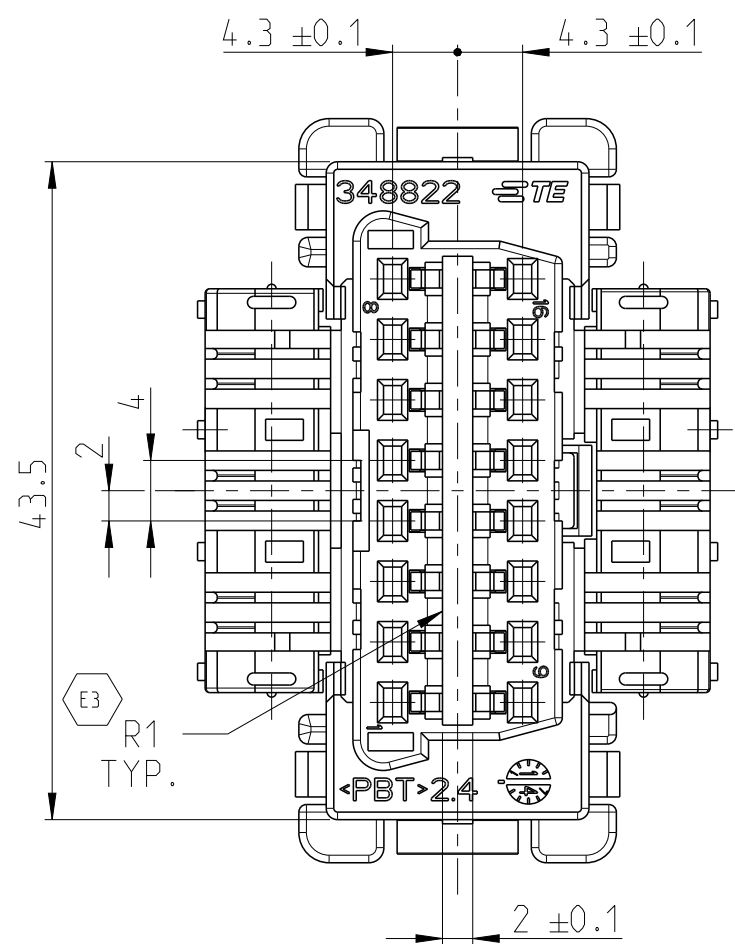
RELEASED FOR PUBLICATION

20

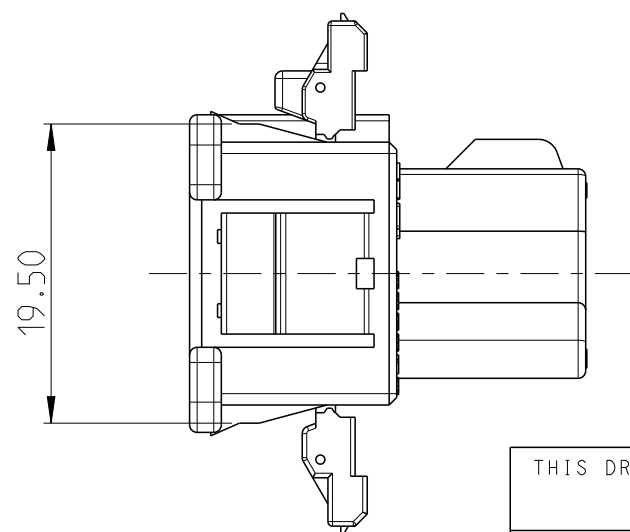
REVISIONS

© COPYRIGHT 20 BY - ALL RIGHTS RESERVED.

P	LTR	DESCRIPTION	DATE	DWN	APVD
	E2	REDRAWN TO CREO	17NOV2017	SCK	MN
	E3	CORRECTED DIMENSION FROM R0.1 TO R1	19NOV2019	SCK	MN



1. APPLICABLE RECPT. P/N 776001



1.8	1.2 ±0.05	GREY	PBT	348822-6
3.6	3.0 ±0.13	GREY	PBT	348822-3
3.6	3.0 ±0.13	BLACK	PBT	348822-2
"S" ±0.3	PANEL THICKNESS	COLOR	MATERIAL	PART NUMBER

THIS DRAWING IS A CONTROLLED DOCUMENT.

DWN M. MISTRY 22DEC1994

CHK P. GAULTON

APVD M. MISTRY

PRODUCT SPEC

APPLICATION SPEC

WEIGHT -

TE TE Connectivity

DIAGNOSTIC CONNECTOR
16 POSN PLUG HOUSING

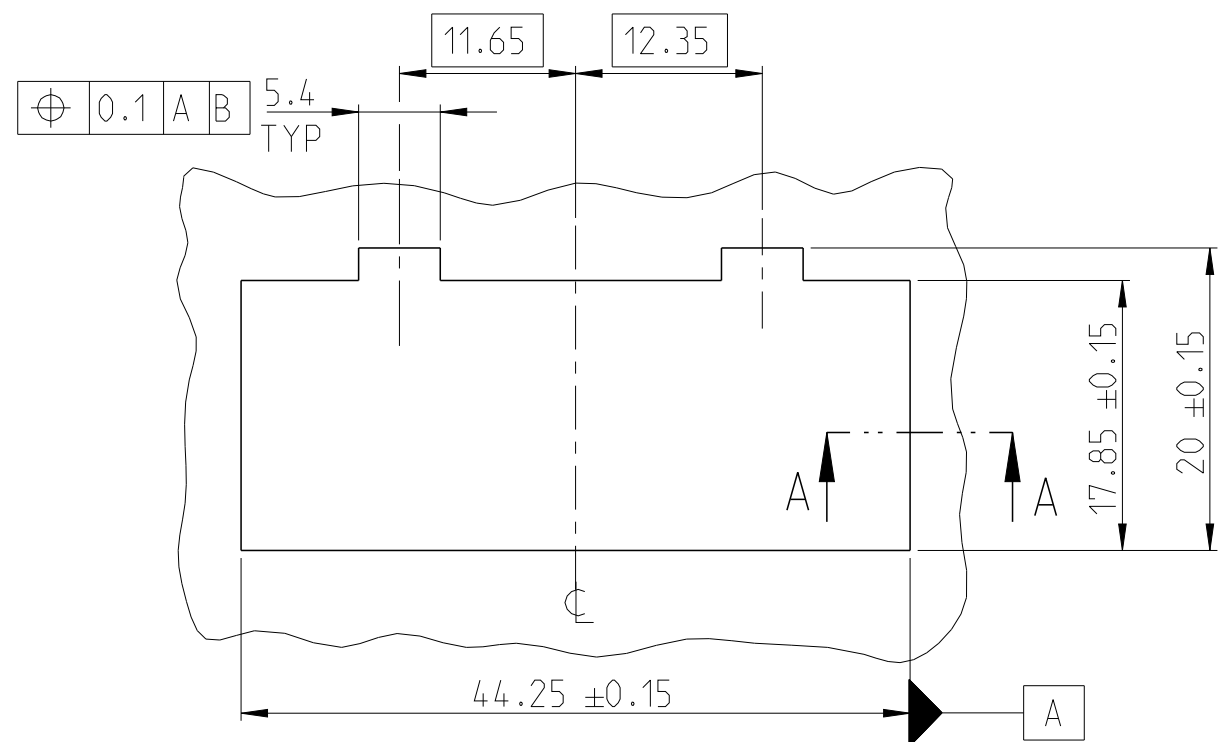
SIZE CAGE CODE DRAWING NO RESTRICTED TO

A3 00779 C-348822

CUSTOMER DRAWING SCALE 2:1 SHEET 1 OF 2 REV E3

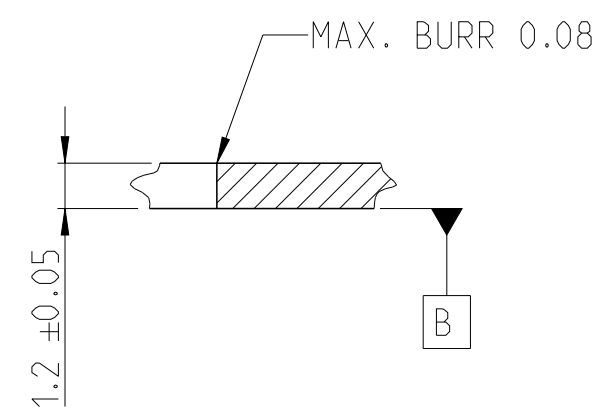
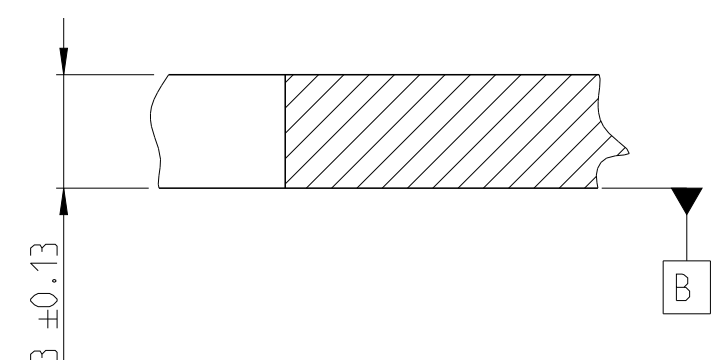
DIMENSIONS:	TOLERANCES UNLESS OTHERWISE SPECIFIED:
mm	
	0 PLC ±
	1 PLC ± ±0.5
	2 PLC ± ±
	3 PLC ± ±
	4 PLC ± ±
	ANGLES ±1°
MATERIAL	FINISH
-	-

REVISIONS					
P	LTR	DESCRIPTION	DATE	DWN	APVD
		SEE SHEET 1			

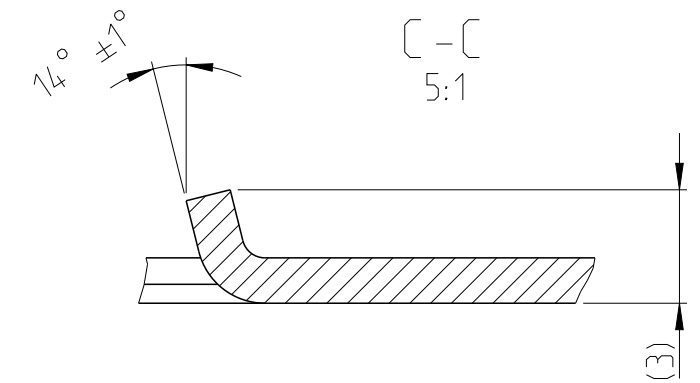
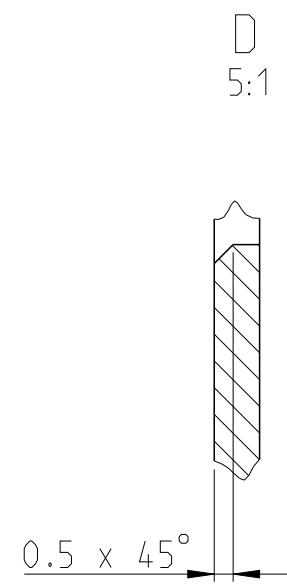
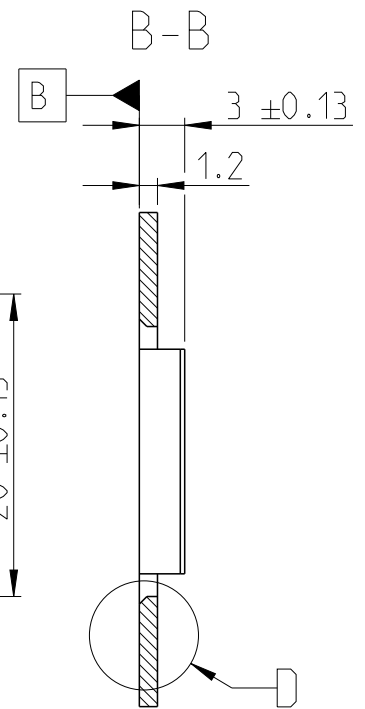
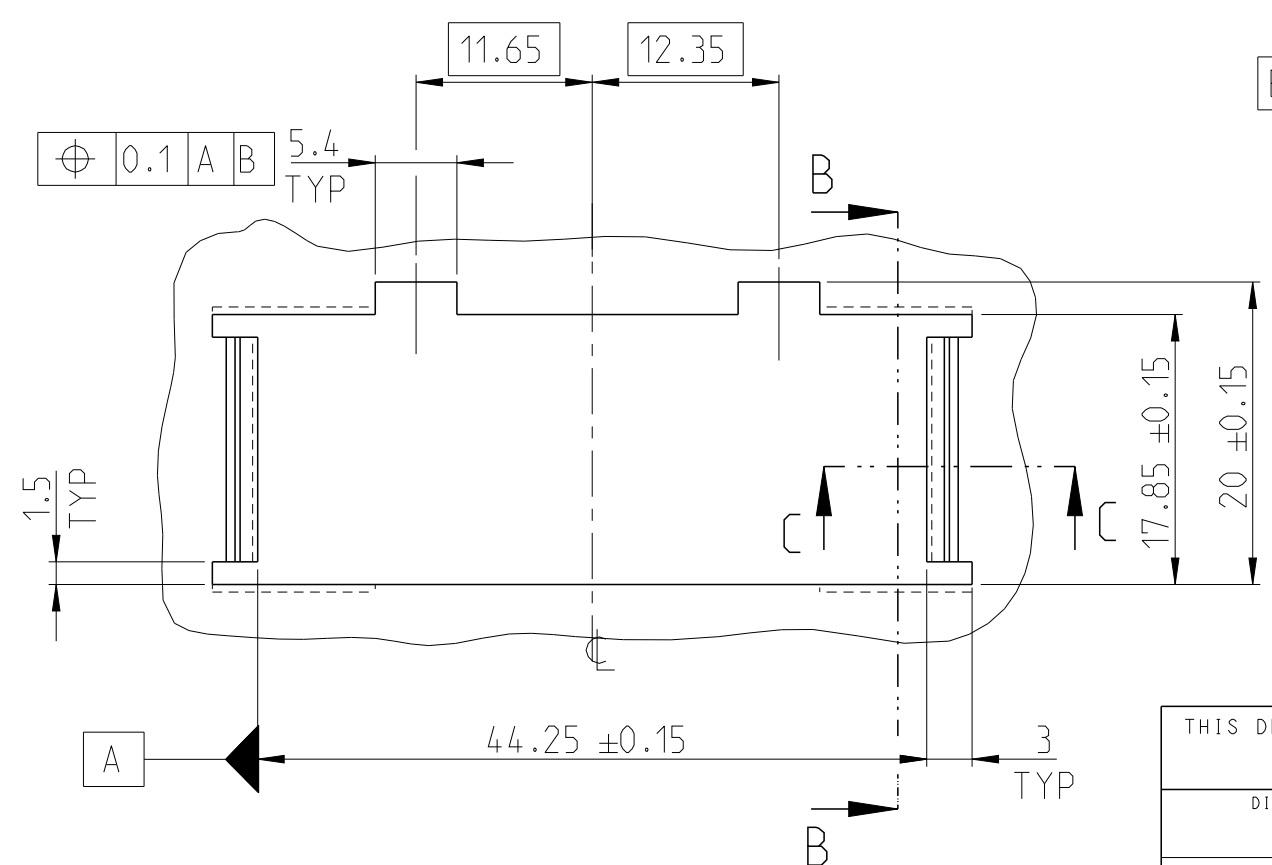


A-A
5:1
3.0mm PLASTIC PANEL CUTOUT

A-A
5:1
1.2mm METAL PANEL CUTOUT



RECOMMENDED 1.2mm METAL AND 3.0mm PLASTIC PANEL CUTOUT (MATING VIEW)



RECOMMENDED 3.0mm FORMED PANEL CUTOUT (MATING VIEW) FOR -2

THIS DRAWING IS A CONTROLLED DOCUMENT.		DWN M. MISTRY 22DEC1994	TE Connectivity																
DIMENSIONS: mm		CHK P. GAULTON																	
TOLERANCES UNLESS OTHERWISE SPECIFIED:		APVD M. MISTRY	NAME																
<table border="1"> <tr> <td>0 PLC</td> <td>±</td> <td rowspan="4">±0.5</td> </tr> <tr> <td>1 PLC</td> <td>±</td> </tr> <tr> <td>2 PLC</td> <td>±</td> </tr> <tr> <td>3 PLC</td> <td>±</td> </tr> <tr> <td>4 PLC</td> <td>±</td> <td rowspan="2">±1°</td> </tr> <tr> <td>ANGLES</td> <td>±</td> </tr> </table>		0 PLC	±	±0.5	1 PLC	±	2 PLC	±	3 PLC	±	4 PLC	±	±1°	ANGLES	±	PRODUCT SPEC	DIAGNOSTIC CONNECTOR 16 POSN PLUG HOUSING		
0 PLC	±	±0.5																	
1 PLC	±																		
2 PLC	±																		
3 PLC	±																		
4 PLC	±	±1°																	
ANGLES	±																		
MATERIAL		APPLICATION SPEC	SIZE A3	CAGE CODE 00779	DRAWING NO C-348822	RESTRICTED TO													
FINISH		WEIGHT	CUSTOMER DRAWING		SCALE 2:1	SHEET 2 OF 2													
					REV E3														