

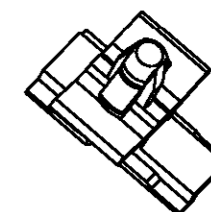
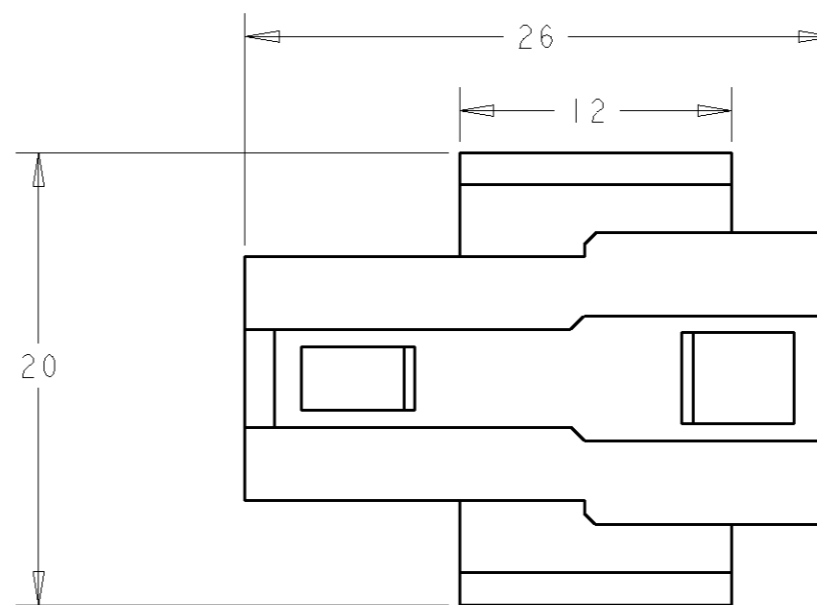
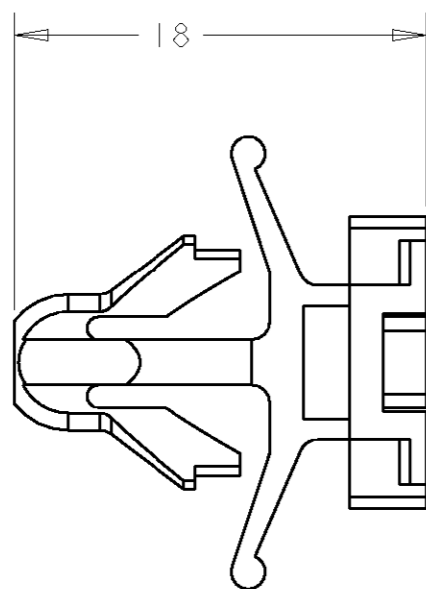
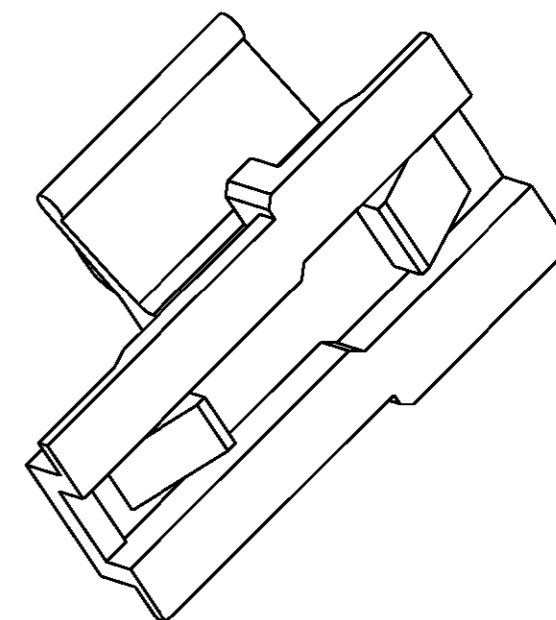
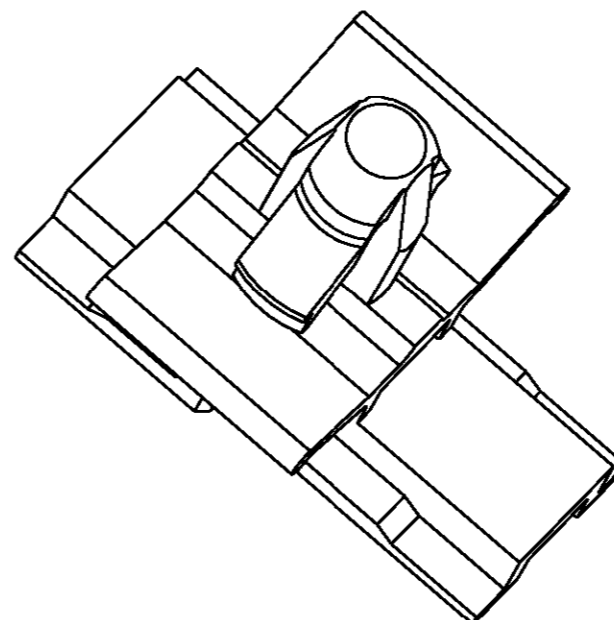
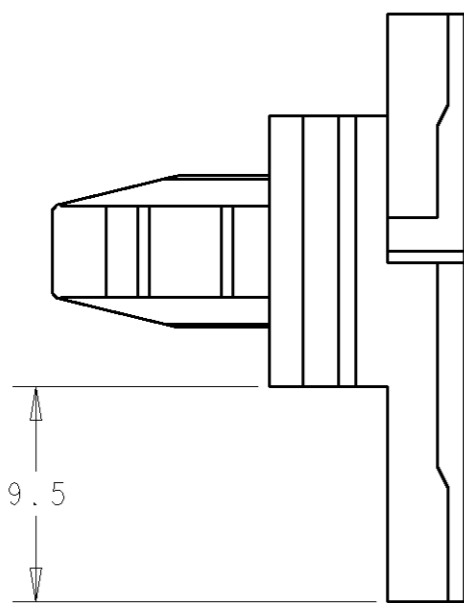
THIS DRAWING IS UNPUBLISHED.

RELEASED FOR PUBLICATION

© COPYRIGHT

ALL RIGHTS RESERVED.

LOC	DIST	REVISIONS			
P	LTR	DESCRIPTION	DATE	DWN	APVD
E	B	B1	12APR11	RK	HMR
		REVISED PER ECO-11-005294			




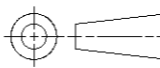
SCALE 1:1

NOTE:
 PRODUCT MAY EXHIBIT A GREEN TINGE DUE TO COPPER SALTS
 IN THE NATURAL RESIN MATERIAL ON PART NUMBER 345484-1

PANEL THICKNESS - 0.8 - 1.6mm
 PANEL HOLE SIZE - 6.5 - 7.0 mm
 MINIMUM PULL OUT FORCE - 10 KG

NATURAL	NYLON 66	345484-1
COLOUR	MATERIAL	PART NUMBER

DWN R. RUNAGAL 14AUG1990		 TE Connectivity	
CHK P. TANNER 14AUG1990			
APVD J. PALMER 14AUG1990		NAME	
PRODUCT SPEC		DUAL PURPOSE BODY CLIP FOR 040 OR 070 MULTILOCK HOUSINGS	
APPLICATION SPEC		-	
WEIGHT		SIZE	RESTRICTED TO
-		A3	-
MATERIAL		CAGE CODE	DRAWING NO
-		00779	C-345484
FINISH		SCALE	SHEET OF REV
-		3:1	1 OF 1 B1

DIMENSIONS:	TOLERANCES UNLESS OTHERWISE SPECIFIED:
mm	
	0 PLC ±-
	1 PLC ±0.5
	2 PLC ±0.5
	3 PLC ±0.5
	4 PLC ±-
	ANGLES ±5
MATERIAL	FINISH
-	-

DWN	R. RUNAGAL	14AUG1990
CHK	P. TANNER	14AUG1990
APVD	J. PALMER	14AUG1990
PRODUCT SPEC	-	
APPLICATION SPEC	-	
WEIGHT	-	
CUSTOMER DRAWING		