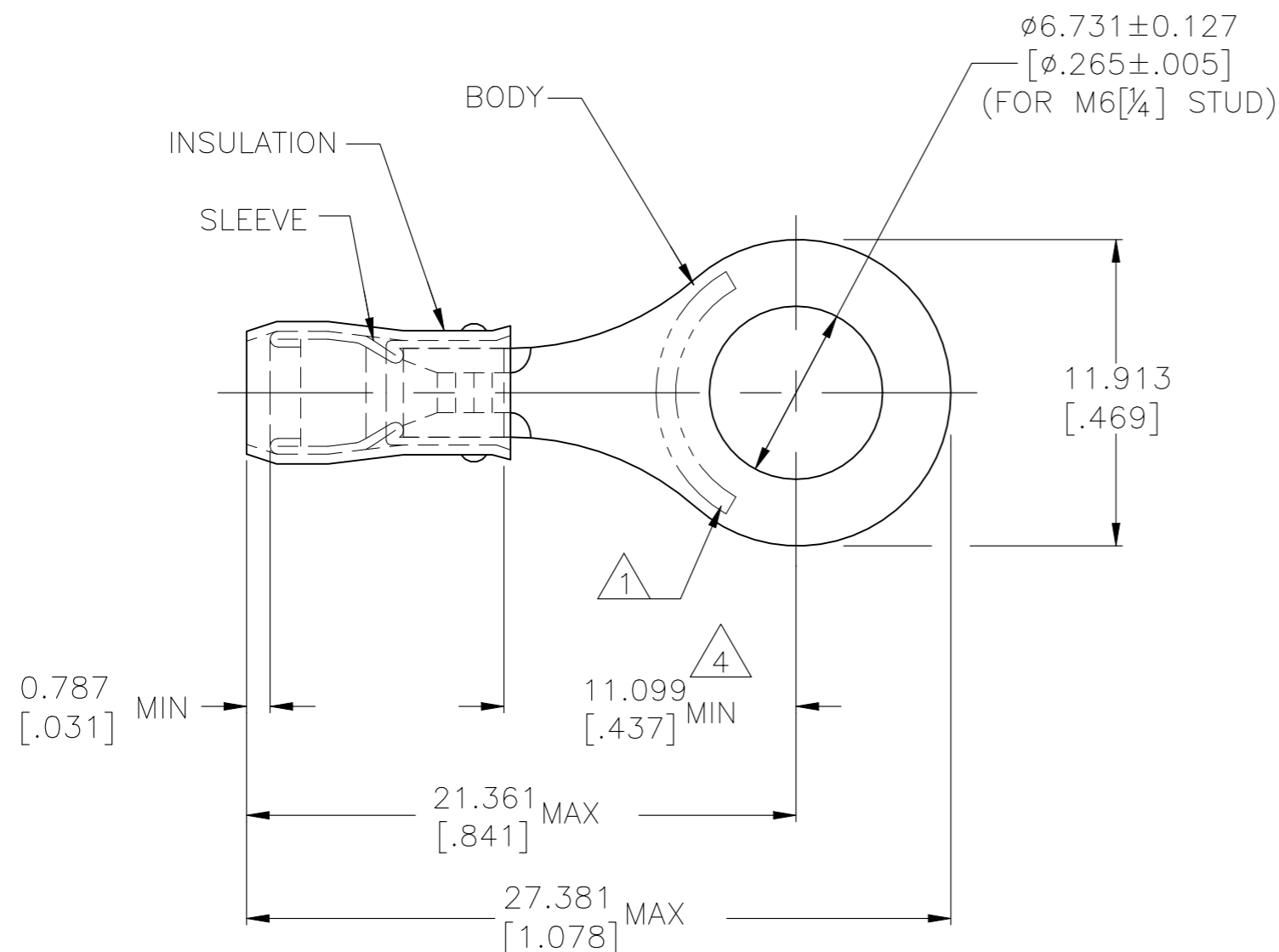


P	LTR	DESCRIPTION	DATE	DWN	APVD
	AB3	REVISED PER ECN-22-156403	03JUN2022	RK	CSD

AMP WIRE RANGE	 E13288 Listed	 LR7189 Certified
22-16 AWG SOLID OR STRANDED	22-16 AWG STRANDED	22-16 AWG SOLID OR STRANDED



1 STAMP AMP 22-18* APPROX AS SHOWN
22-16 TERMINALS ARE STAMPED 22-18 IN
ACCORDANCE WITH MILITARY SPEC SAE AS7928
COMMERCIAL WIRE RANGE IS 22-16.



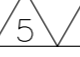
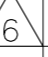
2 WIRE INSULATION DIA: 2.032-3.175[.080-.125].

3 BODY MATERIAL THK: 0.787±0.051[.031±.002].

4 APPERS FROM EDGE OF METAL WIRE BARREL TO
CENTER OF STUD HOLE.

5 UL LISTED

6 CSA CERTIFIED

 	-	100	LOOSE PIECE, BOX	8-320571-1
 	-	5000	ON TAPE, REEL	2-320571-2
 	MS25036-150 CLASS 1	1000	LOOSE PIECE	320571
	MILITARY P/N AND CLASS	QUANTITY	PACKAGE TYPE	PART NO

**AMP INCORPORATED
CUSTOMER SERVICE SYSTEMS**

MAX RECOMMENDED OPERATING
TEMPERATURE:
105°C[221°F] MAX

THIS DRAWING IS A CONTROLLED DOCUMENT.

DWN DK SCHRUM 9/8/93



FOR ADDITIONAL
PRODUCT INFORMATION OR
COPIES OF DRAWINGS
AND TECHNICAL DOCUMENTS
PRODUCT INFORMATION CENTER
1-800-522-6752

VOLTAGE RATING:
300 V MAX

DIMENSIONS:
mm [INCHES]

TOLERANCES UNLESS
OTHERWISE SPECIFIED:

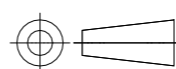
CHK RE HERSEY 9/8/93

APVD ML ELLIS 9/8/93

NAME
TERMINAL, RING TONGUE,
PIDG™, WIRE SIZE: 22-16 AWG

FOR APPLICATION
TOOLING INFORMATION
TOOLING ASSISTANCE CENTER
1-800-722-1111

CIRCULAR MIL AREA:
0.26-1.65mm²[509-3,260] CIR MILS
SOLID OR STRANDED



0 PLC ± -
1 PLC ± -
2 PLC ± -
3 PLC ± .127[.005]
4 PLC ± -
ANGLES ± -

PRODUCT SPEC

UL 486A-B 

APPLICATION SPEC

114-2157

SIZE CAGE CODE DRAWING NO RESTRICTED TO

FOR ORDER ENTRY
1-800-526-5142

MATERIAL
BODY & SLEEVE
COPPER PER ASTM B-152
INSULATION: NYLON

FINISH
BODY & SLEEVE
TIN PLATE
PER ASTM B545
INSULATION: COLOR-RED

WEIGHT -

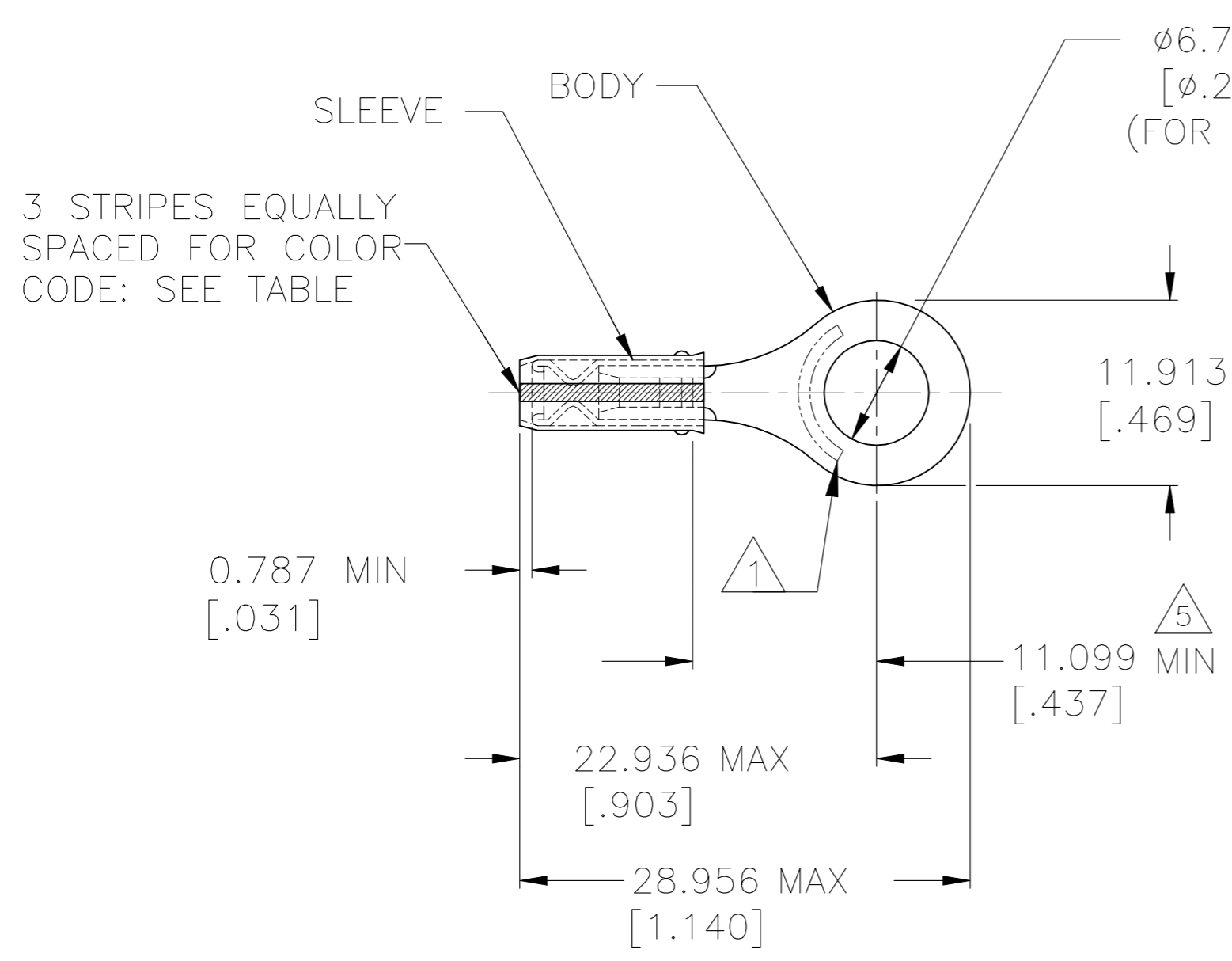
A3 00779 C-320571

CUSTOMER DRAWING

SCALE NTS SHEET 1 OF 2 REV AB3

© - TE Connectivity. All Rights Reserved.

REVISIONS					
P	LTR	DESCRIPTION	DATE	DWN	APVD
-	-	SEE SHEET 1	-	-	-



AMP WIRE RANGE	LR7189 Certified
SEE TABLE STRANDED	WIRE SIZE PER TABLE STRANDED

- 1 STAMP AMP APPROX AS SHOWN SEE TABLE BELOW.
- 2 WIRE INSULATION DIA: 0.965-2.794 [.038-.110] FOR 22 AWG
1.168-2.794 [.046-.110] FOR 20 AWG
1.422-2.794 [.056-.110] FOR 18 AWG.
- 3 BODY MATERIAL THK: 0.79±0.05 [.031±.002].
- 4 NOTE DELETED.
- 5 APPEARS FROM EDGE OF METAL WIRE BARREL TO CENTER OF STUD HOLE.
- 6 CSA CERTIFIED

	M7928/1-34 CLASS 1	WHITE	18*	18	1000	LOOSE PIECE	2-320571-5
	M7928/1-25 CLASS 1	RED	20*	20	1000	LOOSE PIECE	2-320571-4
	M7928/1-16 CLASS 1	GREEN	22*	22	1000	LOOSE PIECE	2-320571-3
	MILITARY P/N AND CLASS	STRIPE COLOR	STAMPING	WIRE SIZE	QUANTITY	PACKAGE TYPE	PART NO

AMP INCORPORATED CUSTOMER SERVICE SYSTEMS		MAX RECOMMENDED OPERATING TEMPERATURE: 105°C [221°F] MAX	THIS DRAWING IS A CONTROLLED DOCUMENT.		DWN DK SCHRUM 9/8/93	TE Connectivity Ltd.			
FOR ADDITIONAL PRODUCT INFORMATION OR COPIES OF DRAWINGS AND TECHNICAL DOCUMENTS	PRODUCT INFORMATION CENTER 1-800-522-6752	VOLTAGE RATING: 300 V MAX	DIMENSIONS: mm [INCHES]	TOLERANCES UNLESS OTHERWISE SPECIFIED:	CHK RE HERSEY 9/8/93			NAME	
FOR APPLICATION TOOLING INFORMATION	TOOLING ASSISTANCE CENTER 1-800-722-1111	WIRE RANGE: 22, 20, 18 CIRC MIL AREA: 0.38mm² [754], 0.60mm² [1,186], 0.96mm² [1,900]		0 PLC ± - 1 PLC ± - 2 PLC ± - 3 PLC ± .127 [.005] 4 PLC ± - ANGLES ± -	APVD ML ELLIS 9/8/93	TERMINAL, RING TONGUE, I.R., PIDG™, WIRE SIZE: 22, 20 & 18 AWG			
FOR ORDER ENTRY	1-800-526-5142	STRANDED	MATERIAL BODY & SLEEVE COPPER PER ASTM B-152 INSULATION: NYLON	FINISH BODY & SLEEVE TIN PLATE PER ASTM B545 INSULATION: COLOR-RED	PRODUCT SPEC -	SIZE A3	CAGE CODE 00779	DRAWING NO C-320571	RESTRICTED TO -
CUSTOMER DRAWING					WEIGHT -	SCALE NTS	SHEET 2 OF 2	REV AB3	