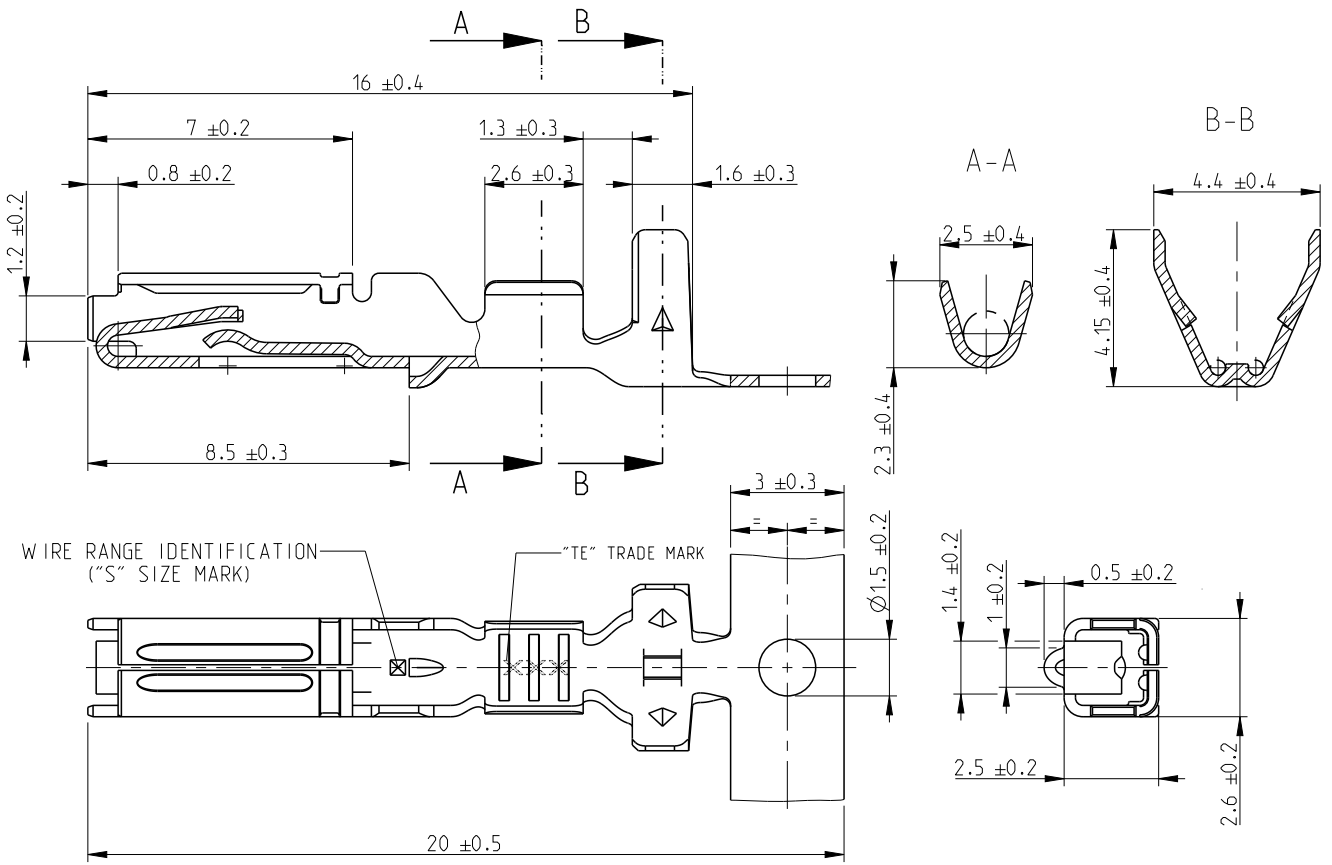


REVISIONS					
P	LTR	DESCRIPTION	DATE	DWN	APVD
	A2	Redrawn to Creo	03MAR2017	JJH	JP



WIRE RANGE IDENTIFICATION ("S" SIZE MARK)

"TE" TRADE MARK

1. DELIVERY STATE: ITEM IS SUPPLIED REELED ON CARTON REEL WITH STRIP PITCH = 11.9±0.2mm
 STATO DI FORNITURA: AVVOLTI SU BOBINA CON PASSO TRA TERMINALI DI = 11.9±0.2mm

CUSTOMER DRAWING FOR INFORMATION ONLY
 DISEGNO PER CLIENTE SOLO PER RIFERIMENTO



INS. DIA. RANGE (DIAM. ISOLANTE)
 Ø1.55 - 1.7mm

WIRE RANGE (RANGO FILO)
 0.35 - 0.5mm²

PRE-TIN (PRE-STAGNATO)

BRASS (OTTONE)

282374-1

FINISH/COLOUR (FINITURE/COLORE)

MATERIAL (MATERIALE)

PART NUMBER

DIMENSIONS:

mm

DWN R. MARTINI

10FEB1994

MATERIAL

FINISH

TOLERANCES UNLESS OTHERWISE SPECIFIED:

CHK C. TARTARI

11FEB1994

APVD

-



TE Connectivity

PLC	±
1 PLC	±
2 PLC	±
3 PLC	±
4 PLC	±

±0.3

PRODUCT SPEC

108-20159

NAME

MULTILOCK .070 SRS REC. CONTACT FOR NEW GENERATION CONNECTOR

APPLICATION SPEC

114-20056

SIZE

A 4

CAGE CODE

-

DRAWING NO

©=282374

RESTRICTED TO

-

WEIGHT

-

CUSTOMER DRAWING

SCALE

5:1

SHEET

1 OF 1

REV

A2

20

RELEASED FOR PUBLICATION

ALL RIGHTS RESERVED.

BY -

© COPYRIGHT 20

THIS DRAWING IS UNPUBLISHED.