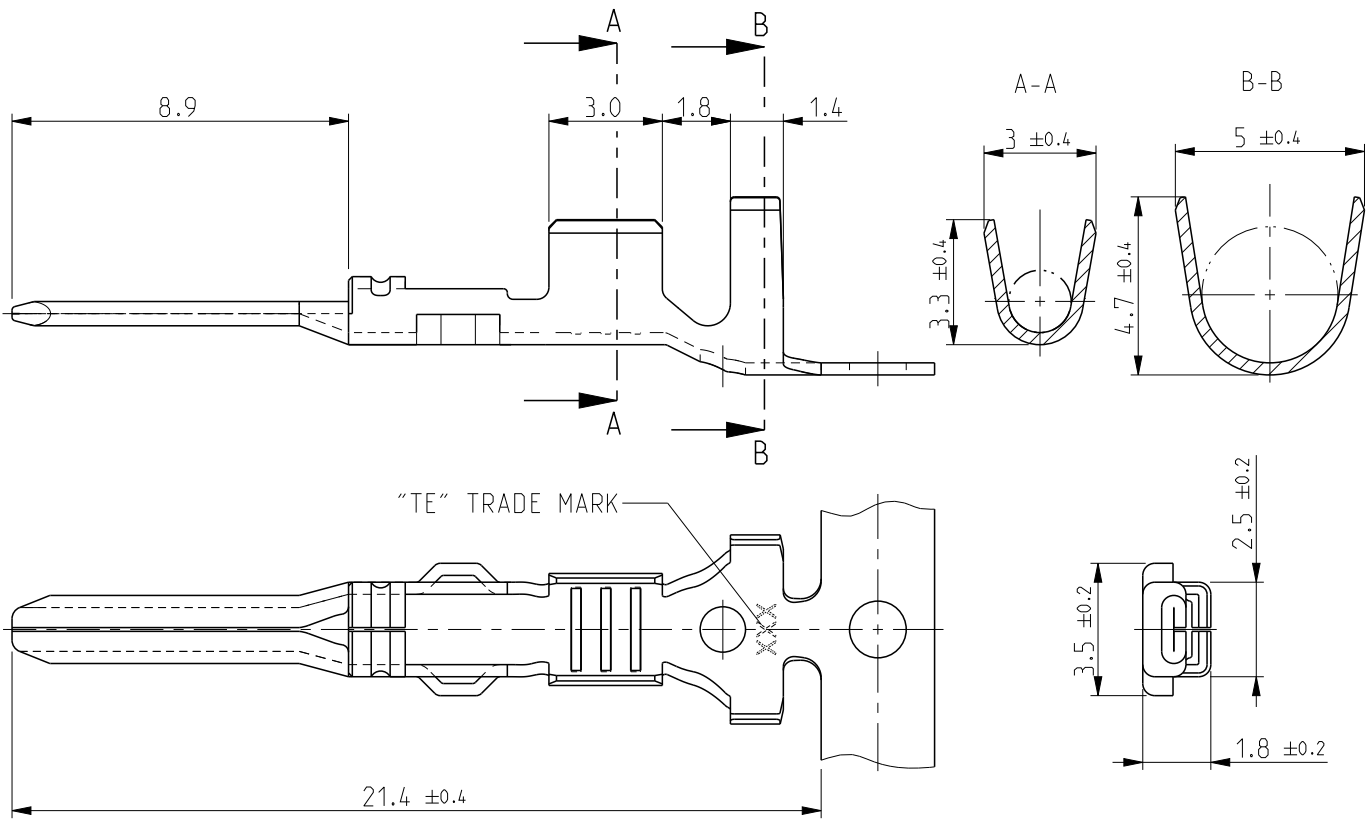


REVISIONS					
P	LTR	DESCRIPTION	DATE	DWN	APVD
	A1	REDRAWN TO CREO	13APR2017	JJH	JP



- DELIVERY STATE: WRAPPED UP ROLL WITH STEP BETWEEN TERMINALS = 11.9±0.2mm
STATO DI FORNITURA: AVVOLTI SU BOBINA CON PASSO TRA TERMINALI DI = 11.9±0.2mm
- SUITABLE FOR SINGLE WIRE SEAL TE PN 828905-1
ADDETTO PER GOMMINO TE 828905-1

CUSTOMER DRAWING FOR INFORMATION ONLY
DISEGNO PER CLIENTE SOLO PER RIFERIMENTO

THIS DRAWING IS UNPUBLISHED. ALL RIGHTS RESERVED. © COPYRIGHT copyright_date BY -

INS. DIA. RANGE (DIAM. ISOLANTE)	WIRE RANGE (RANGO FILO)	PRE-TIN (PRE-STAGNATO)	BRASS (OTTONE)	282227-1
2	1.0 - 1.5mm ²	FINISH/COLOUR (FINITURE/COLORE)	MATERIAL (MATERIALE)	PART NUMBER

DIMENSIONS: mm	DWN D. CHIACCHIO 12MAY1993	MATERIAL	FINISH									
TOLERANCES UNLESS OTHERWISE SPECIFIED:	CHK G. VIGNOLI 13MAY1993	TE Connectivity										
<table border="1"> <tr><td>Ø PLC</td><td>±</td></tr> <tr><td>1 PLC</td><td>±</td></tr> <tr><td>2 PLC</td><td>±</td></tr> <tr><td>3 PLC</td><td>±</td></tr> <tr><td>4 PLC</td><td>±</td></tr> </table> ±0.3	Ø PLC			±	1 PLC	±	2 PLC	±	3 PLC	±	4 PLC	±
Ø PLC	±											
1 PLC	±											
2 PLC	±											
3 PLC	±											
4 PLC	±											
APVD -	APPLICATION SPEC 114-20067	SIZE A 4	CAGE CODE -									
<table border="1"> <tr><td>ANGLES</td><td>±°</td></tr> </table>	ANGLES	±°	WEIGHT -	DRAWING NO C=282227	RESTRICTED TO -							
ANGLES	±°											
CUSTOMER DRAWING		SCALE 5:1	SHEET 1 OF 1									
		REV A1										