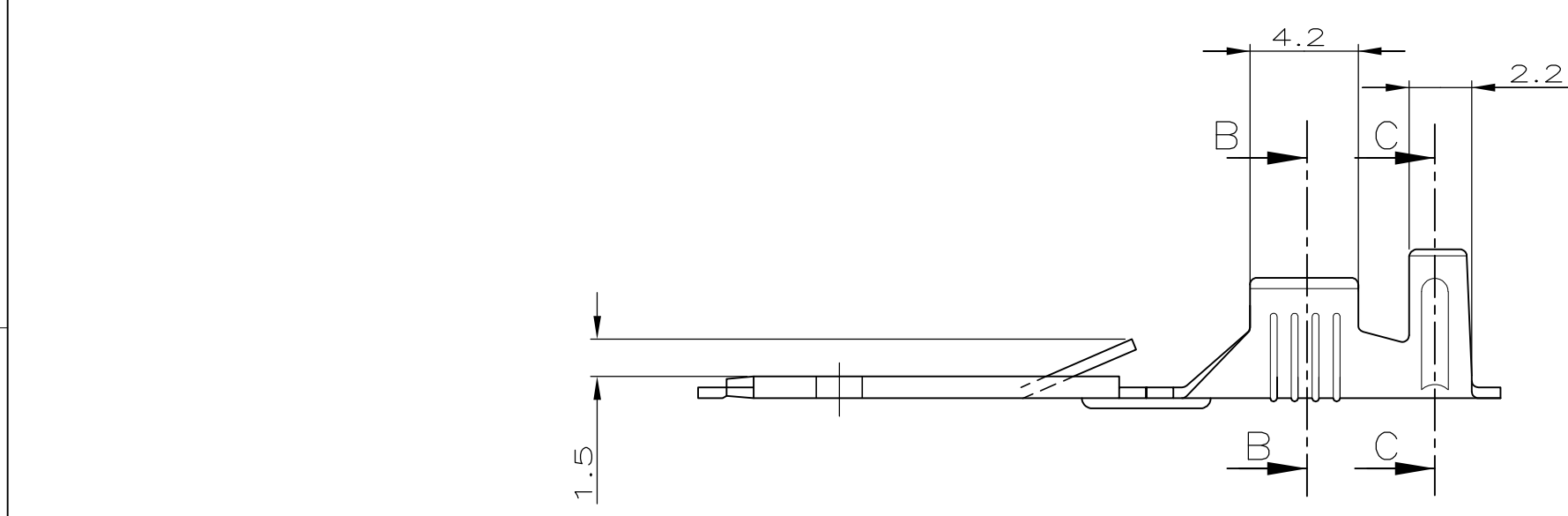
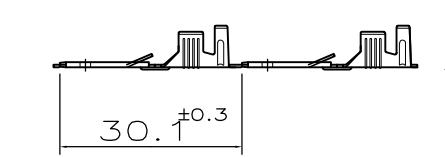


THIS DRAWING IS UNPUBLISHED. RELEASED FOR PUBLICATION
 © COPYRIGHT - By - ALL RIGHTS RESERVED.

| LOC | DIST | REVISIONS | | | |
|-----|------|----------------------------|-----------|------|------|
| P | LTR | DESCRIPTION | DATE | DWN | APVD |
| | AA | CHANGED PACK. ET00-0010-05 | 21JAN2005 | H.Y. | - |
| | AA1 | REV PER ECO-09-021510 | 03SEP09 | KK | AEG |
| | AA2 | ECR-10-022530 | 07JAN11 | KK | HMR |



1) STATO DI FORNITURA (SCALA 1:1)
 (SUPPLY CONDITION, Scale 1:1)

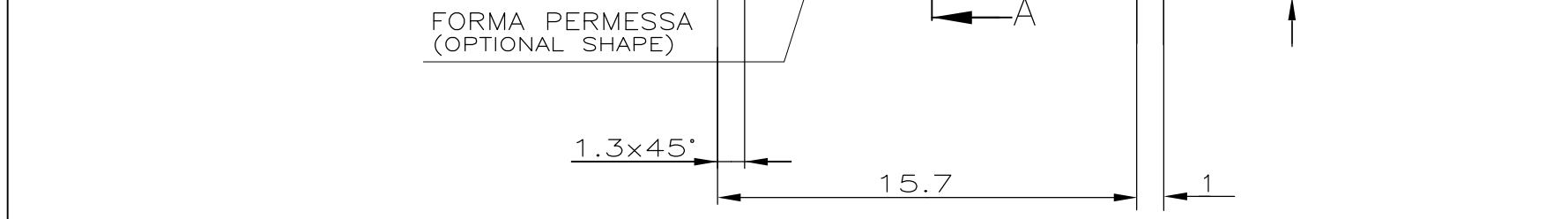
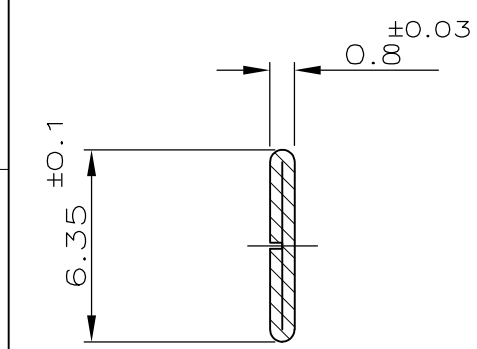


SENSO DI USCITA DEL TERMINALE DALLA BOBINA
 (DIRECTION OFF TOP OF REEL)

2) SPECIFICA DI PRODOTTO : 108-20020
 (PRODUCT SPECIFICATION : 108-20020)

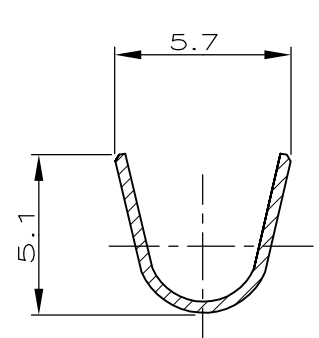
- 3 BOBINATO SU BOBINA 10"1/2 CON CARTA INTERPOSTA
 (REELED ON 10"1/2 CARTON TYPE REEL WITH INTERLEAVE PAPER STRIP)
- 4 BOBINATO SU BOBINA 12" CON CARTA INTERPOSTA
 (REELED ON 12" CARTON TYPE REEL WITH INTERLEAVE PAPER STRIP)
- 5 BOBINATO SU BOBINA 10"1/2
 (REELED ON 10"1/2 CARTON TYPE REEL)
- 6 OBSOLETE PARTS: OBSOLETE CIS STREAMLINING PER D.RENAUD/D.SINISI
- 7 OBSOLETE

SEZIONE A-A
 (SECTION A-A)

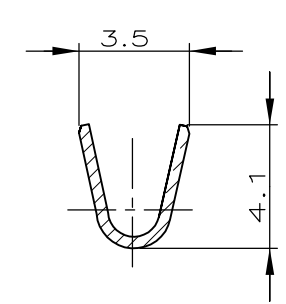


FORMA PERMESSA (OPTIONAL SHAPE)

SEZIONE C-C
 (SECTION C-C)



SEZIONE B-B
 (SECTION B-B)



| NOTE (NOTES) | FINITURA (FINISH) | MATERIALE (MATERIAL) | NUMERO (TE P/N) | REV |
|---------------------------------|-------------------------|-------------------------|---------------------|-----|
| 4 PRE-STAGNATO (PRE-TIN PLATED) | OTTONE (BRASS) | 4-280081-2 | AA | |
| 3 NUDO (UNPLATED) | OTTONE (BRASS) | 1-280081-1 | Z | |
| 4 ARGENTATO (SILVER PLATED) | OTTONE (BRASS) | 4-280081-0 | Z | |
| 3 STAGNATO (TINPLATED) | OTTONE (BRASS) | 280081-9 | Z | |
| 4 NUDO (UNPLATED) | OTTONE (BRASS) | 280081-8 | Z | |
| 3 STAGNATO (TINPLATED) | BRONZO FOSF.(PH.BRONZE) | 280081-7 | Z | |
| 6 OBSOLETE | 3 STAGNATO (TINPLATED) | OTTONE (BRASS) | 280081-6 | Z |
| 6 OBSOLETE | 3 STAGNATO (TINPLATED) | BRONZO FOSF.(PH.BRONZE) | 280081-4 | Z |
| 4 NUDO (UNPLATED) | BRONZO FOSF.(PH.BRONZE) | 280081-3 | Z | |
| 4 STAGNATO (TINPLATED) | OTTONE (BRASS) | 280081-2 | Z | |
| 5 NUDO (UNPLATED) | OTTONE (BRASS) | 280081-1 | Z | |

| | |
|---|---|
| DIAM. ISOLANTE (INS. DIA. RANGE) Ø4 mm.MAX | RANGO FILO (WIRE RANGE) 0.8-2.5mm ² |
|---|---|

THIS DRAWING IS A CONTROLLED DOCUMENT.

| | |
|----------------|--|
| DIMENSIONS: mm | TOLERANCES UNLESS OTHERWISE SPECIFIED: ±0.3 |
| 0 PLC ± - | 1 PLC ± - |
| 2 PLC ± - | 3 PLC ± - |
| 4 PLC ± - | ANGLES ± 2' |

| | |
|----------|--------|
| MATERIAL | FINISH |
| - | - |

DWN R.FABRIS 01-FEB-00
 CHK -
 APVD -
 PRODUCT SPEC -
 APPLICATION SPEC -
 WEIGHT -

STE TE Connectivity

FASTIN-FASTON Conn.,.250"sr.
 TAB CONTACT

SIZE A3 CAGE CODE 00779 DRAWING NO C-280081 RESTRICTED TO -
 CUSTOMER DRAWING SCALE 4:1 SHEET 1 OF 1 REV AA2