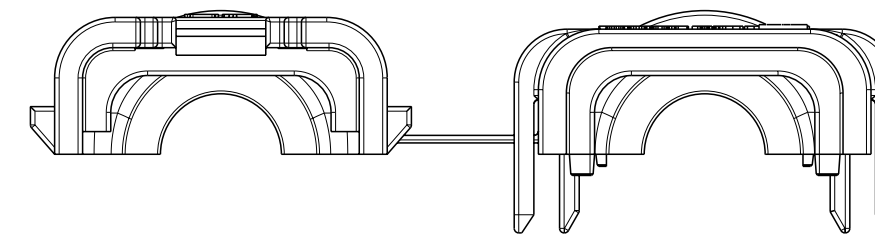
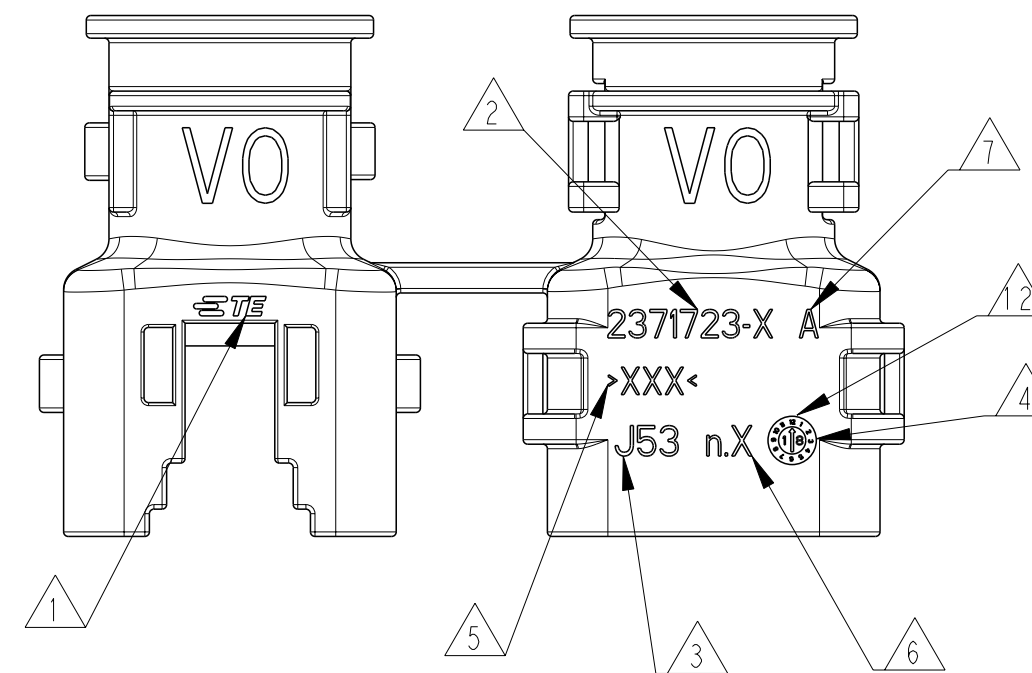
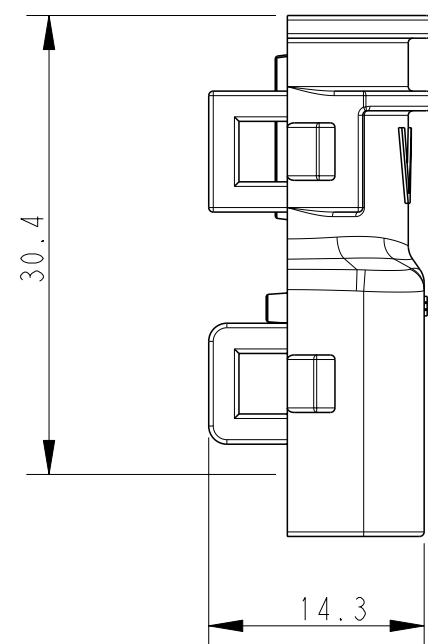
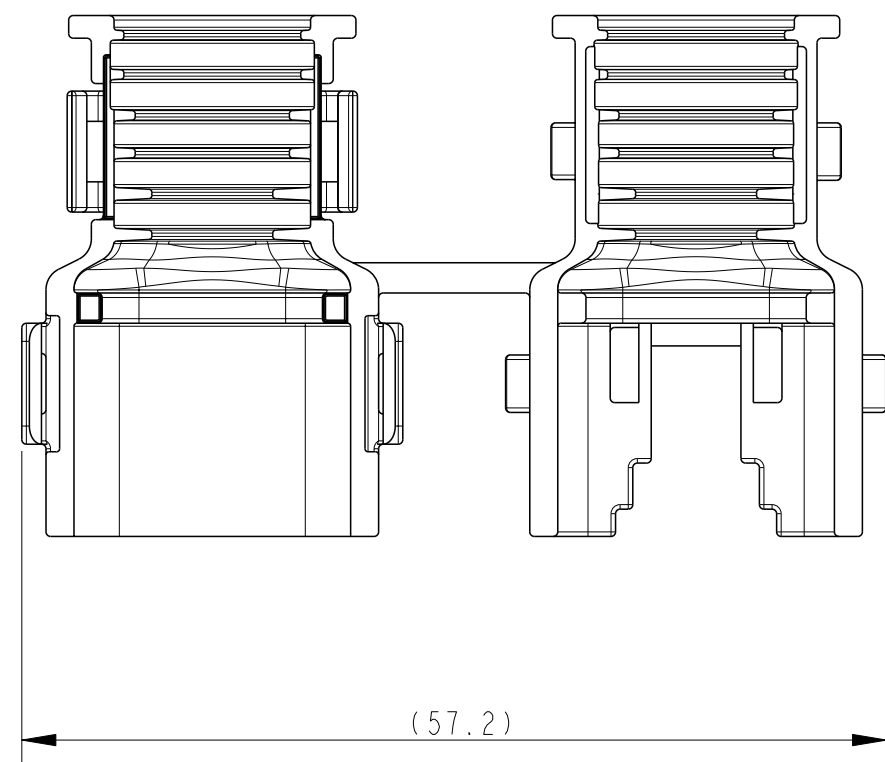


P	LTR	DESCRIPTION	DATE	DWN	APVD
A		INITIAL RELEASE	23APR2020	N.S	I.Y
A1		ECR-20-009371	22DEC2020	N.S	I.Y

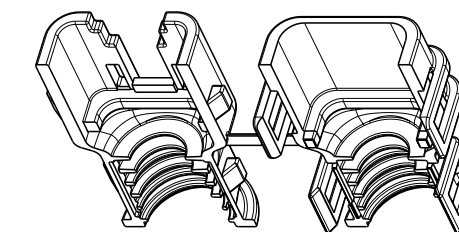
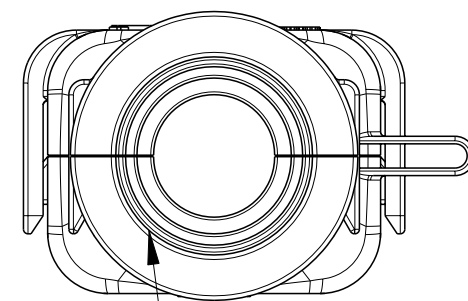
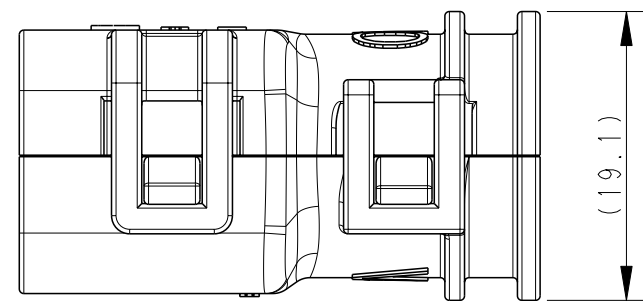
DELIVERY CONDITION AS SHOWN



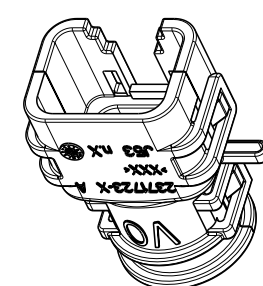
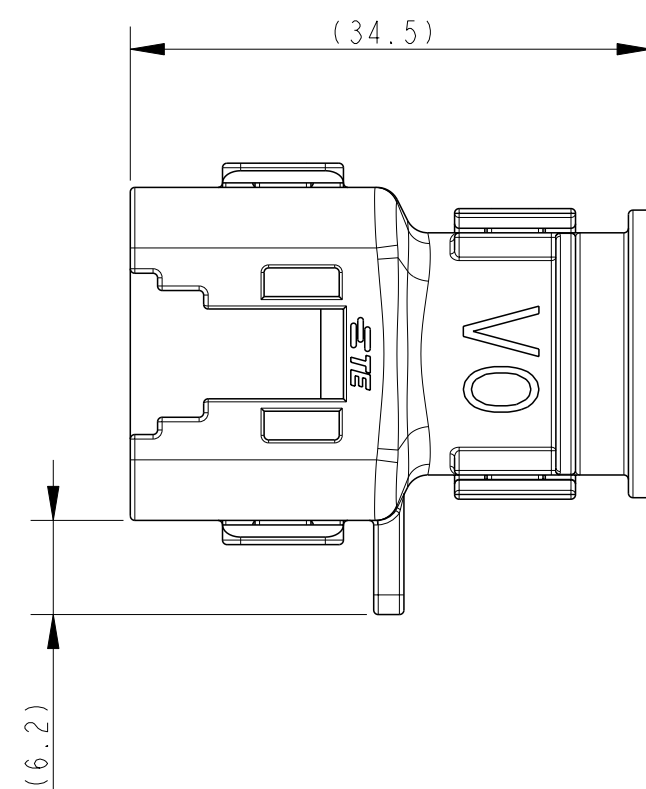
NOTES:

- 1 .TE LEGO
- 2 .TE PART NO.
- 3 .MANUFACTURING LOCATION.
- 4 .DATE CODE.
- 5 .MATERIAL MARKING,EXCHANGEABLE
- 6 .MOULD CAVITY MARKING
- 7 .PART REVISION
- 8 .FOR CORRUGATED TUBE: NW6/7.5/8.5/10.
- 9. P/N:2371723 USED ON SSP PLUG 4P P/N.2356607 AND DT06-4S-XXXX NO CAP VERSION
- 10.BULK PACKAGING IN CORRUGATED BOX
- 11.BASED ON THE HINGE MECHANISM,THE DELIVERY CONDITION CAN BE DIFFERENT TO THE SHOWN STATUS.
- 12 VO MARK, ONLY SHOWS ON PN.2371723-2

CLOSED (MOUNTED) CONDITIONS AS SHOWN



SCALE 1:1



SCALE 1:1

A1

TE P/N	REV	COLOR	MATERIAL	DESCRIPTION	ITEM
2371723-2	A	BLACK	PA66	180DEG PLUG HSG BACKSHELL FOR SUPERSEAL PRO 4P(V0 TYPE)	2
2371723-1	A	BLACK	PA6	180DEG PLUG HSG BACKSHELL FOR SUPERSEAL PRO 4P(HB TYPE)	1

THIS DRAWING IS A CONTROLLED DOCUMENT.		DWN N. SONG 23APR2020	TE Connectivity		
DIMENSIONS: mm		CHK E. JIANG 23APR2020			
TOLERANCES UNLESS OTHERWISE SPECIFIED:		APVD I. YIN 23APR2020	NAME PLUG HSG BACKSHELL, 4POS, SSP, 180DEG		
0 PLC ±0.5		PRODUCT SPEC	SIZE		
1 PLC ±0.3		APPLICATION SPEC	CAGE CODE		
2 PLC ±		WEIGHT	DRAWING NO		
3 PLC ±		CUSTOMER DRAWING	RESTRICTED TO		
4 PLC ±		SCALE 2:1	SHEET 1 OF 1		
ANGLES ±			REV A1		
FINISH -					