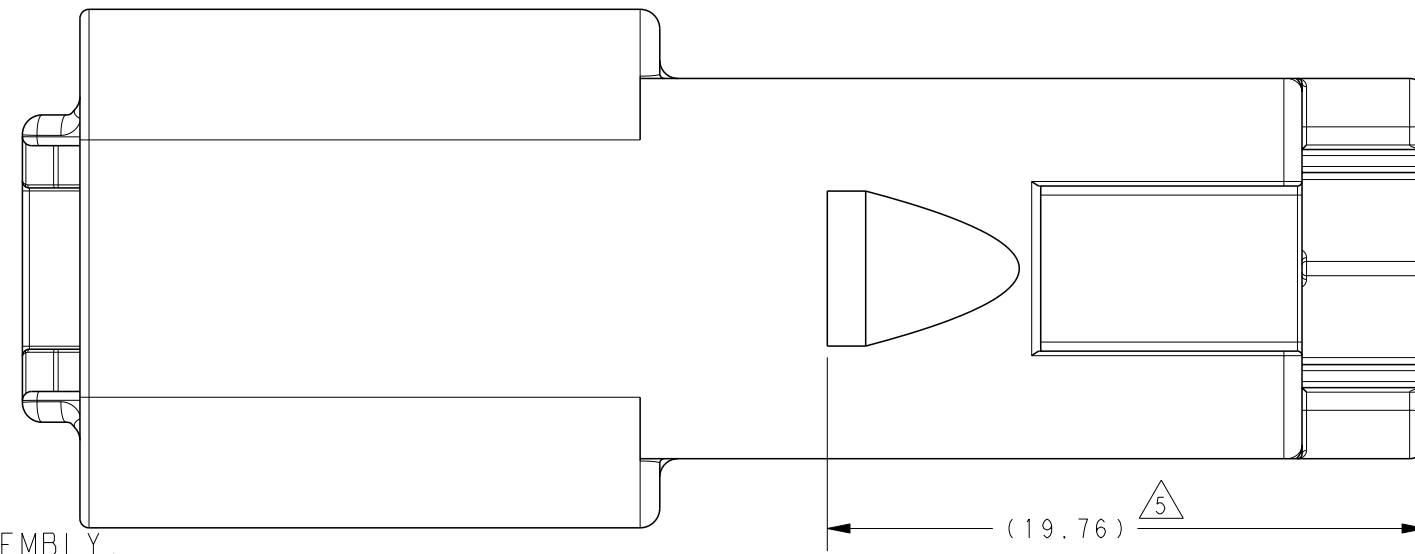
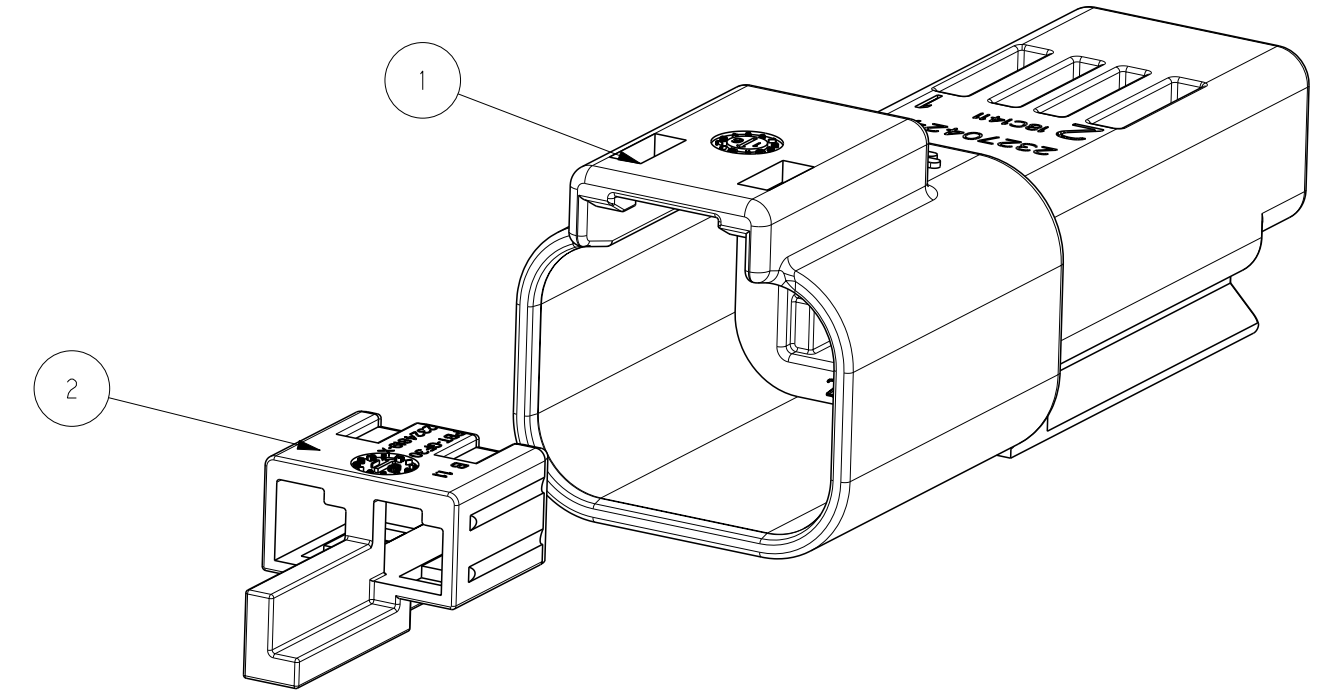
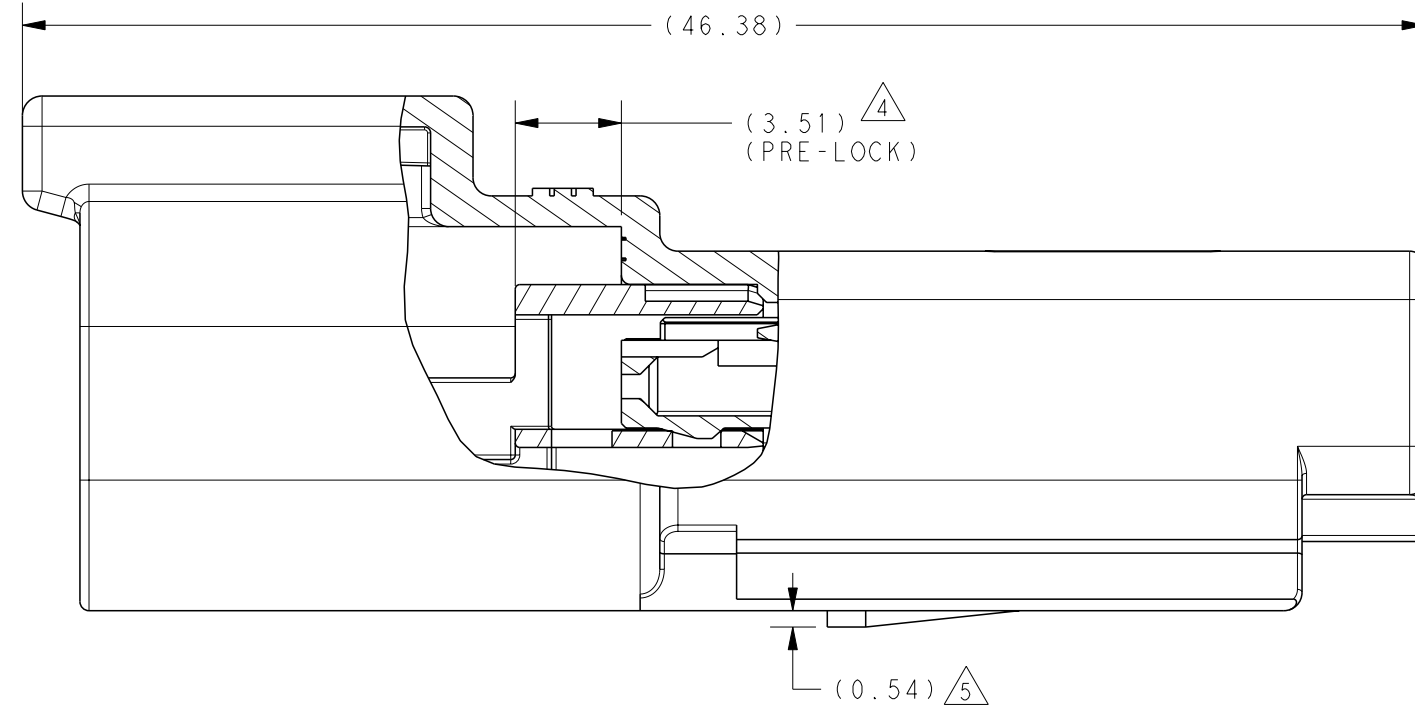
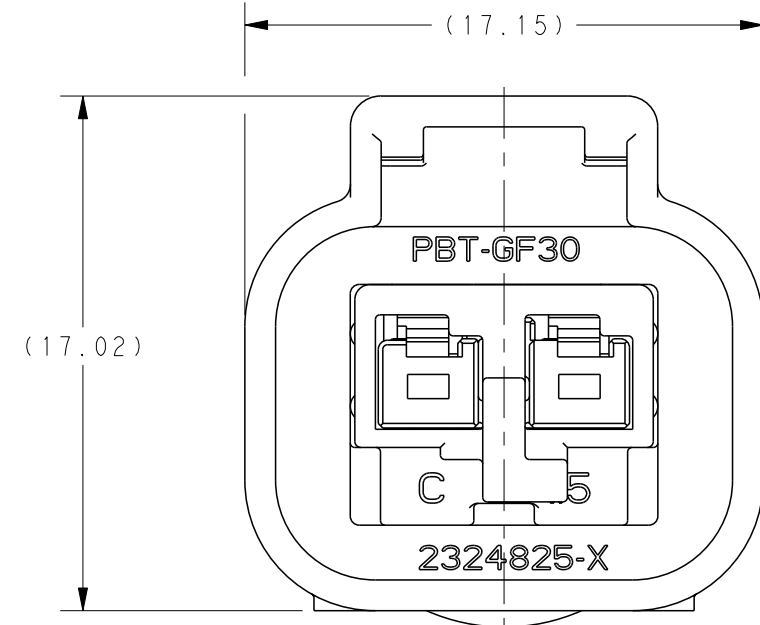
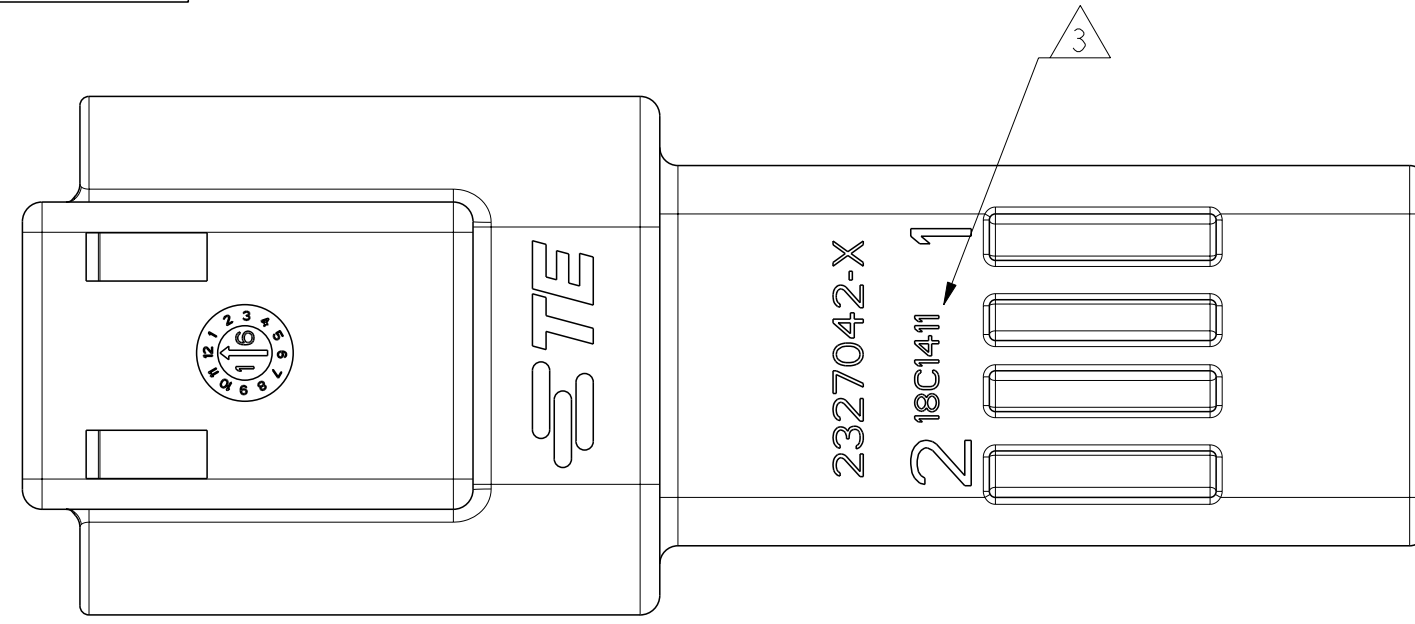
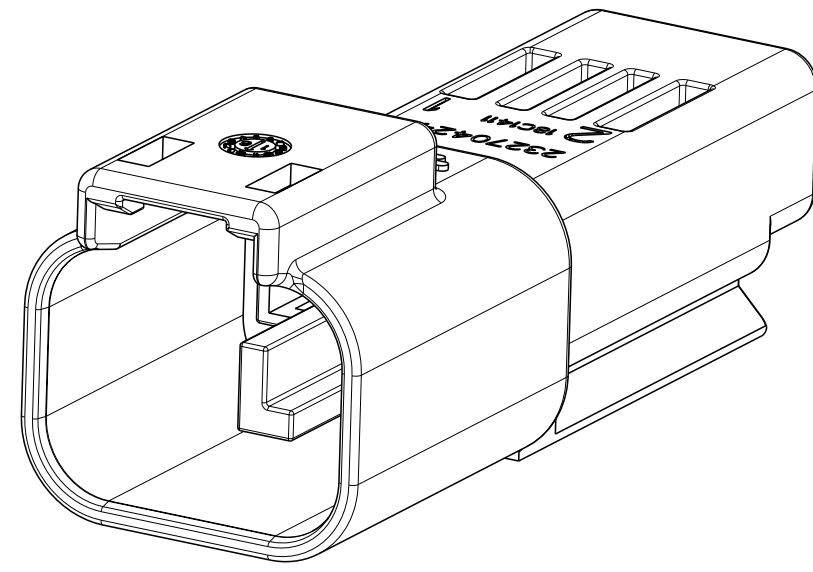


THIS DRAWING IS UNPUBLISHED. RELEASED FOR PUBLICATION
 © COPYRIGHT BY ALL RIGHTS RESERVED.

REVISIONS					
P	LTR	DESCRIPTION	DATE	DWN	APVD
A2	ECR-19-007522		13MAY2019	V.T	E.J
A3	ECR-20-004141		18MAR2020	V.T	E.J
B	ECR-20-007431		15JUN2020	V.T	E.J
C	ECR-20-015257		01JUN2021	V.T	Z.Z



CODING A	CODING B	CODING C
PN: 2327042-1 (VO) 2-2327042-1 (HB)	PN: 2327042-2 (VO) 2-2327042-2 (HB)	PN: 2327042-3 (VO) 2-2327042-3 (HB)

NOTES:

- RECEPTACLE 2327042-X MATES WITH 2324808-X PLUG (X=1, 2, 3 FOR RELEVANT CODE).
 RECEPTACLE 2-2327042-X MATES WITH 2-2324808-X PLUG (X=1, 2, 3 FOR RELEVANT CODE).

- MATERIAL: HOUSING: PBT GF30, SEE TABLE FOR COLOR
 TPA: PBT GF30, SEE TABLE FOR COLOR

- DATE CODE: IDENTIFIES THE YEAR, MONTH, DAY AND HOUR OF ASSEMBLY.
 YEAR: FIRST AND SECOND DIGITS(17=2017)
 MONTH: THIRD DIGIT, EXCLUDING I, A=JAN, B=FEB, C=MARCH...(K=OCTOBER)
 DAY: FOURTH AND FIFTH DIGITS(14=14th DAY)
 HOUR: SIXTH AND SEVENTH DIGITS(11=11AM)

- PULL TPA TO PRE-LOCK BEFORE TERMINAL INSERTION IN CASE OF TPA BEING HIT TO END-LOCK POSITION.

- REFER TO DRAWING DT04-DOVETAIL FOR CLIP INTERFACE DIMENSIONS, RECOMMEND MOUNTING CLIP PN LIST:
 METAL VERSION PN: 1027-003-1200, 1027-004-1200, 1027-005-1200, 1027-008-1200, 1027-013-1200;
 PLASTIC VERSION PN: 1011-026-0205, 1011-030-0205, 1011-310-0205, 2355806-1.

6. APPLICABLE TERMINAL PART NUMBERS AND WIRE SIZE:

TERMINAL PN	TERMINAL PLATING	APPLICATION	WIRE SIZE (MM2)	INSULATION WIRES(MM)	SWS P/N	BLIND PLUG P/N
2141114-1	TIN	GENERAL (USCAR-2 V2)	0.35	Ø1.10~Ø1.40	963142-2	963143-1
2141114-3	SILVER	HIGH VIBRATION (USCAR-2 V3)				
2141116-1	TIN	GENERAL (USCAR-2 V2)	0.5~0.75	Ø1.40~Ø1.90	963142-1	963143-1
2141116-3	SILVER	HIGH VIBRATION (USCAR-2 V3)				
2177610-1	TIN	GENERAL (USCAR-2 V2)	1.0~1.5	Ø1.90~Ø2.40	963142-1	963143-1
2177610-3	SILVER	HIGH VIBRATION (USCAR-2 V3)				

1	1	1	1	1	1	COLOR	MATERIAL	DESCRIPTION	ITEM NO
	1		1			NATURAL	PBT-GF30	TPA, CODE C	2
						GREEN	PBT-GF30	TPA, CODE B	
						YELLOW	PBT-GF30	TPA, CODE A	
1	1	1				GRAY	PBT-GF30	HOUSING	1
			1	1	1	BLACK	PBT-GF30		

QTY. REQUEST PER ASSY

5.7	5.7	5.7	6.3	6.3	6.3	WEIGHT OF EACH ASSY NO. (g)
C	C	C	C	C	C	REVISION OF EACH ASSY NO.
2-2327042-3 (HB)	2-2327042-2 (HB)	2-2327042-1 (HB)	2327042-3 (VO)	2327042-2 (VO)	2327042-1 (VO)	TE ASSEMBLY PN

THIS DRAWING IS A CONTROLLED DOCUMENT.

DIMENSIONS: mm	TOLERANCES UNLESS OTHERWISE SPECIFIED:	DWN C. WAN 17JAN2018	TE Connectivity SUPERSEAL PRO 2POS, RECP. ASSEMBLY MCON1.2, CB TERMINAL
		CHK E. JIANG 26FEB2018	
		APVD J. YIN 02MAR2018	
		PRODUCT SPEC 108-32189	
		APPLICATION SPEC 114-32258	SIZE A2
MATERIAL	FINISH	WEIGHT	CAGE CODE C-2327042
			RESTRICTED TO
		CUSTOMER DRAWING	SCALE 2:1 SHEET 1 OF 1 REV C