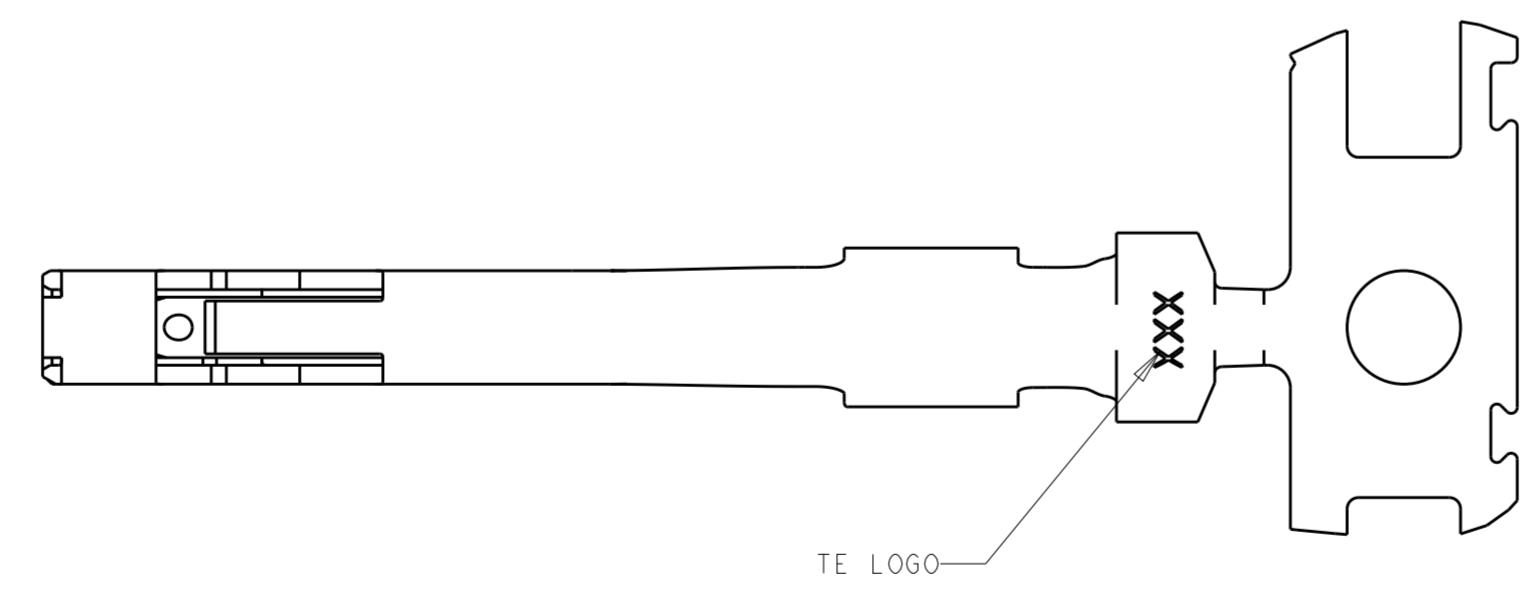
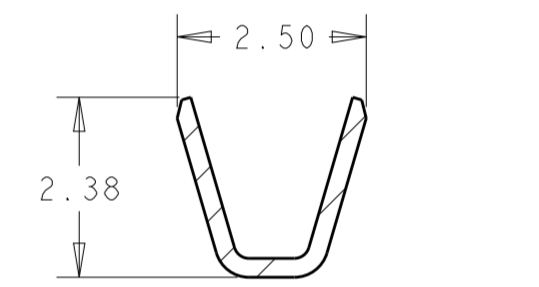
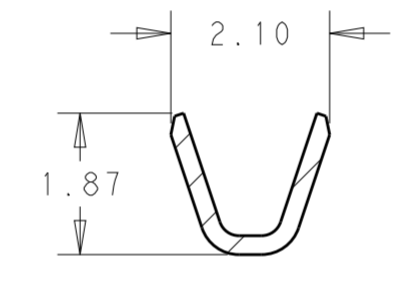
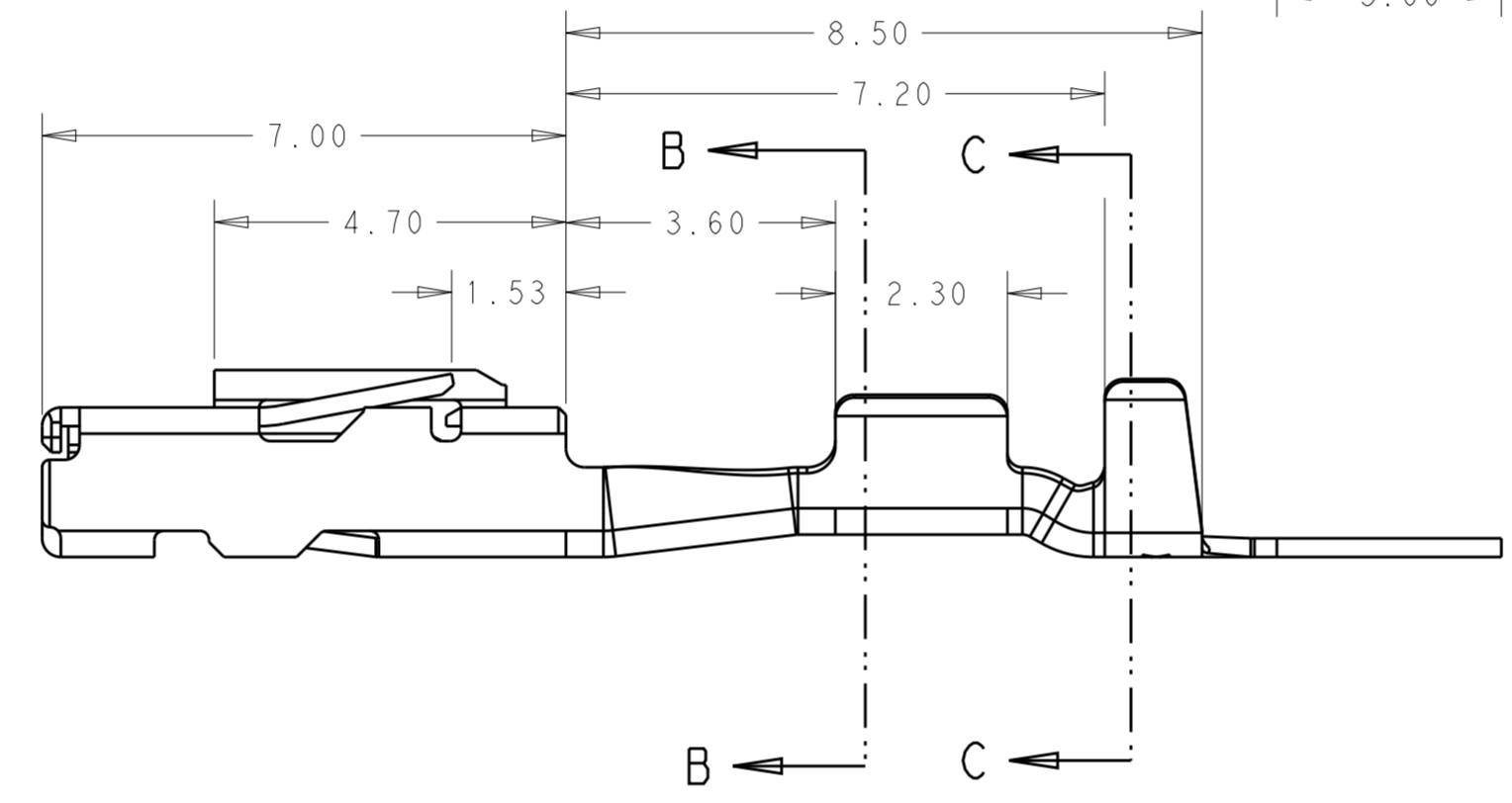
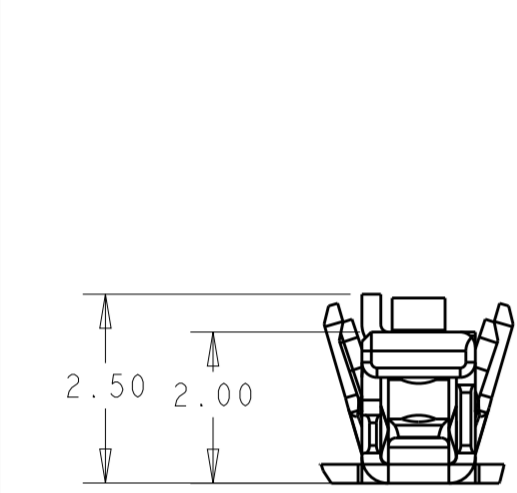
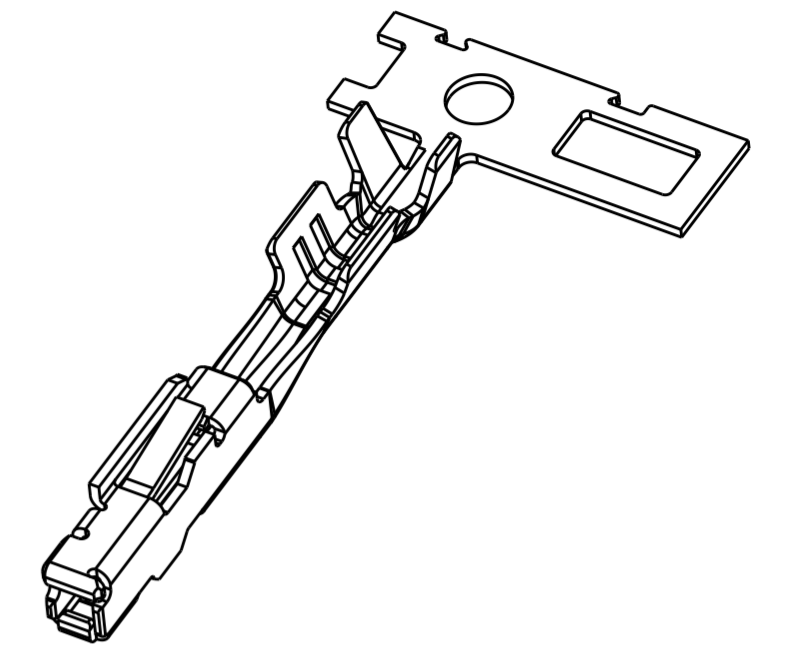
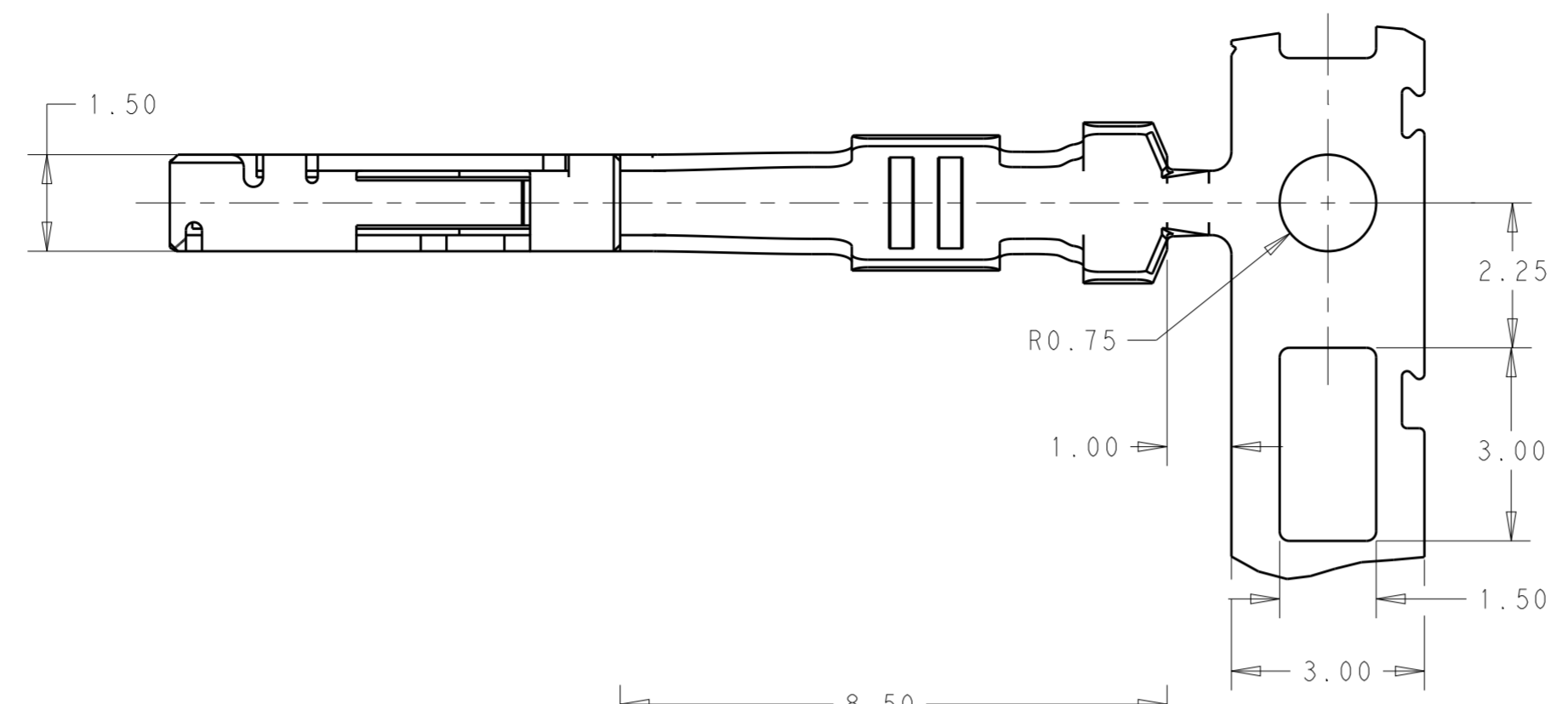
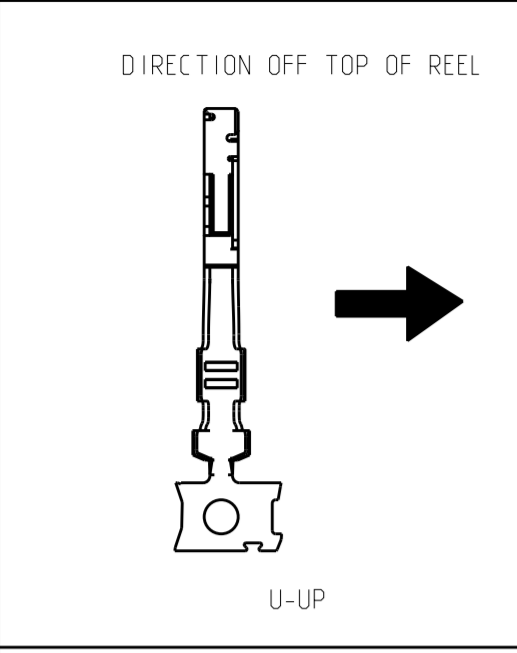


THIS DRAWING IS UNPUBLISHED. RELEASED FOR PUBLICATION 20
 © COPYRIGHT 20 BY - ALL RIGHTS RESERVED.

REVISIONS				
P	LTR	DESCRIPTION	DATE	APVD
A		INITIAL RELEASE	17OCT17	J.G I.Y



1. APPLICABLE WIRE RANGE:
 ACSS.AVSSF-f 0.3-0.5mm²
 CAVS.CAVUS 0.22-0.5mm²
2. APPLICATOR FEED: 7.5mm

0.95-1.7	0.22-0.56mm ²	PRE-TIN	A	2324321-1
INSULATION Ø	WIRE RANGE	PLATING	REVISION	PART NO.

THIS DRAWING IS A CONTROLLED DOCUMENT.		DWN J.GU 17OCT2017	TE Connectivity	
DIMENSIONS: mm		CHK E.JIANG 06NOV2017		
TOLERANCES UNLESS OTHERWISE SPECIFIED:		APVD I.YIN 06NOV2017	NAME 025 RECEPTACLE CONTACT	
0-PLC ±0.2 1-PLC ± 2-PLC ± 3-PLC ± 4-PLC ± ANGLES ±3° FINISH		PRODUCT SPEC -	RESTRICTED TO -	
MATERIAL		APPLICATION SPEC 114-5250	SIZE A200779	DRAWING NO. C-2324321
		WEIGHT 0.2g	SCALE 10:1 SHEET 1 OF 1 REV A	
		CUSTOMER DRAWING		