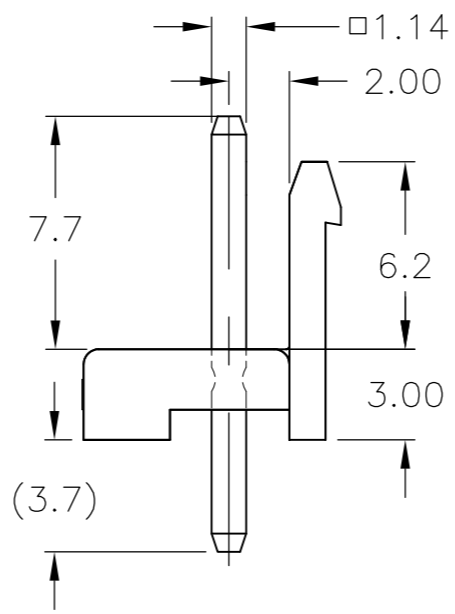
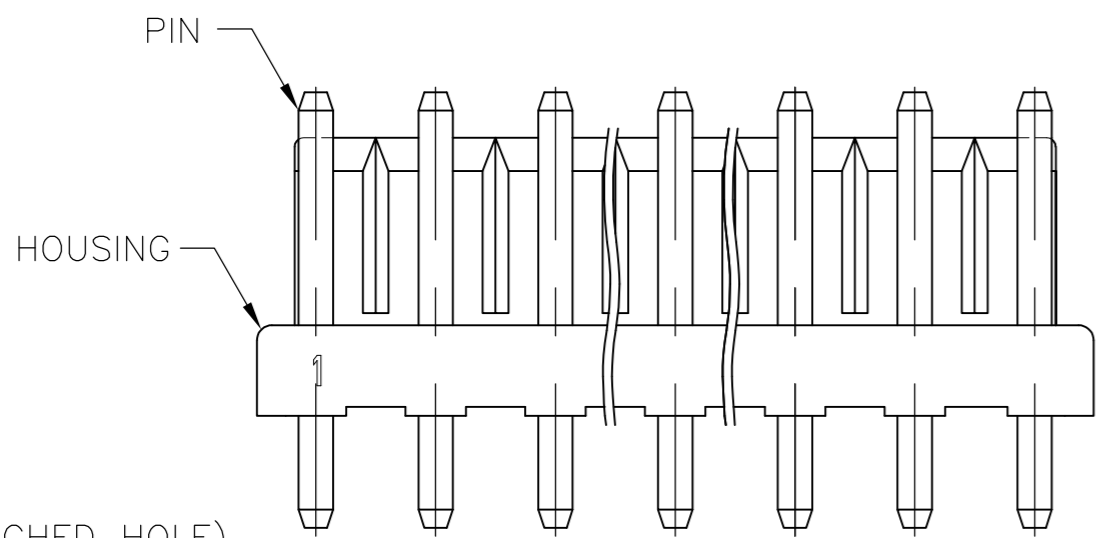
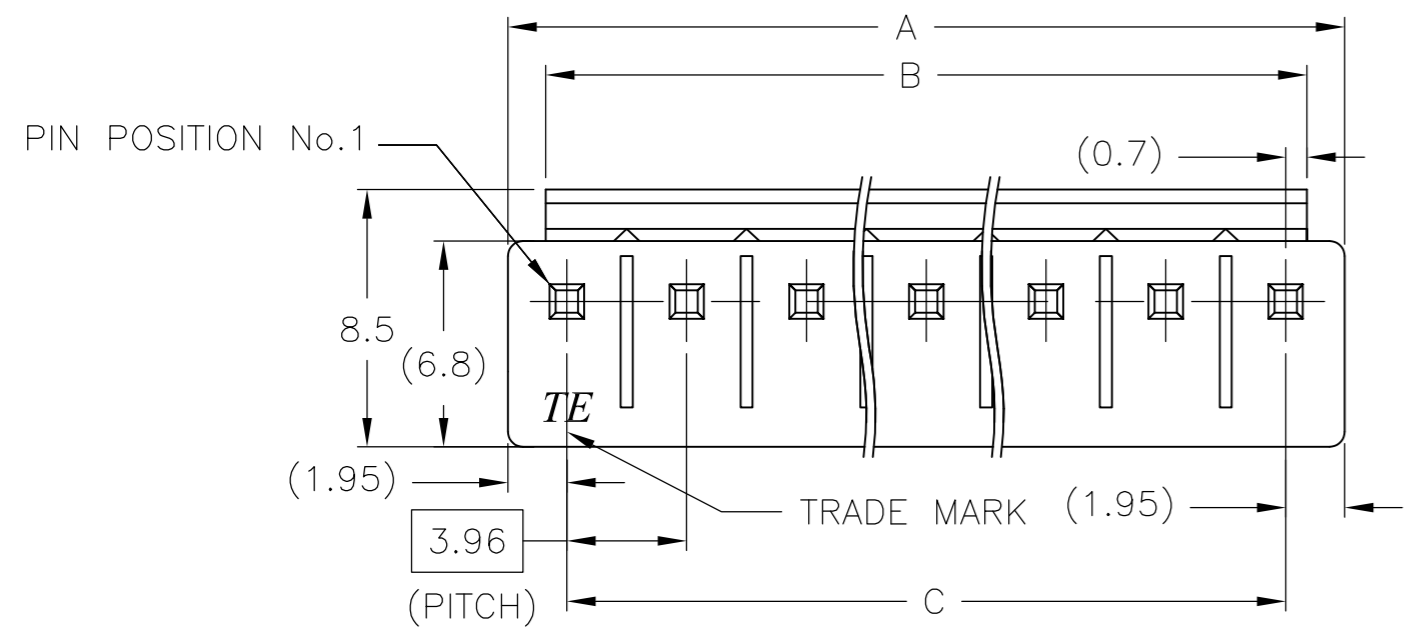
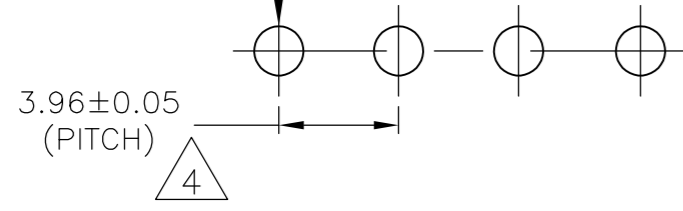


THIS DRAWING IS UNPUBLISHED. RELEASED FOR PUBLICATION
 © COPYRIGHT - By - ALL RIGHTS RESERVED.

REVISIONS				
P	LTR	DESCRIPTION	DATE	APVD
A		FIRST RELEASED	06MAR17	O.C D.Z



Ø1.60^{+0.1}_{-0.0}(PUNCHED HOLE)
 Ø1.65^{+0.1}_{-0.0}(DRILLED HOLE)



△ FIG. 1

- 1 MATING CONN P/N: □-1123722-□
- △ 2 APPLICABLE P.C.B LAYOUT: SEE FIG. 1
- 3 APPLICABLE P.C.B THICKNESS: 1.60.
- △ 4 SKETCHES SHOW NO PIN MISSING.
- △ 5 CONTACT: POST TIN OVER BRASS
- △ 6 HOUSING: PBT, UL94-V0
- △ 7 0 : WITH PIN,
X : WITHOUT PIN.

○	○	○	○	○	○	○	○	○	○	○	○									
○	○	×	○	×	○	×	○	×	○	○	○	○	35.64	37.04	39.54	NATURAL	10	3-2316952-0		
○	×	○	×	○	×	○	○	○	○	○	○	35.64	37.04	39.54	NATURAL	10	2-2316952-0			
○	×	○	×	×	○	○	○	○	○	○	○	31.68	33.08	35.58	NATURAL	9	1-2316952-0			
○	×	○	×	×	○	○	○	○	○	○	○	31.68	33.08	35.58	NATURAL	9	2316952-9			
○	×	○	×	○	○	○	○	○	○	○	○	27.72	29.12	31.62	NATURAL	8	2-2316952-8			
○	×	○	×	○	×	○	○	○	○	○	○	27.72	29.12	31.62	NATURAL	8	1-2316952-8			
○	×	○	×	○	×	×	○	○	○	○	○	27.72	29.12	31.62	NATURAL	8	2316952-8			
×	○	×	○	×	○	○	○	○	○	○	○	23.76	25.16	27.66	NATURAL	7	2316952-7			
○	×	○	×	○	○	○	○	○	○	○	○	19.80	21.20	23.70	NATURAL	6	1-2316952-6			
○	×	×	○	×	○	○	○	○	○	○	○	19.80	21.20	23.70	NATURAL	6	2316952-6			
○	×	×	○	○	○	○	○	○	○	○	○	11.88	13.28	15.78	NATURAL	4	2316952-4			
1	2	3	4	5	6	7	8	9	10	11	"C"	"B"	"A"	COLOR	POSN	ASS'Y P/N				

THIS DRAWING IS A CONTROLLED DOCUMENT.		DWN OTTO CHEN 06MAR2017	TE Connectivity	
DIMENSIONS: mm		CHK DANIEL. Z 08MAR2017		
TOLERANCES UNLESS OTHERWISE SPECIFIED:		APVD DANIEL. Z 08MAR2017	NAME 3.96MM PITCH ECONOMY POWER (EP) CONNECTOR HEADER ASSEMBLY	
0 PLC ± 0.5 1 PLC ± 0.5 2 PLC ± 0.30 3 PLC ± 4 PLC ± ANGLES ± FINISH △ 6		PRODUCT SPEC 108-5609	DRAWING NO C=2316952	
MATERIAL SEE TABLE △ 6		APPLICATION SPEC -	SIZE A2	RESTRICTED TO -
		WEIGHT 0	CAGE CODE 00779	SHEET 1 OF 1
		CUSTOMER DRAWING	SCALE -	REV A