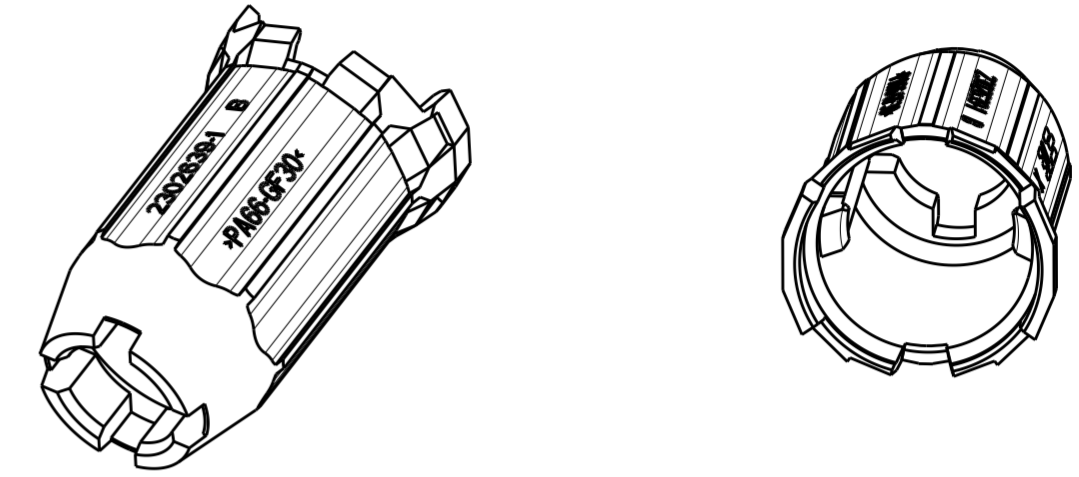
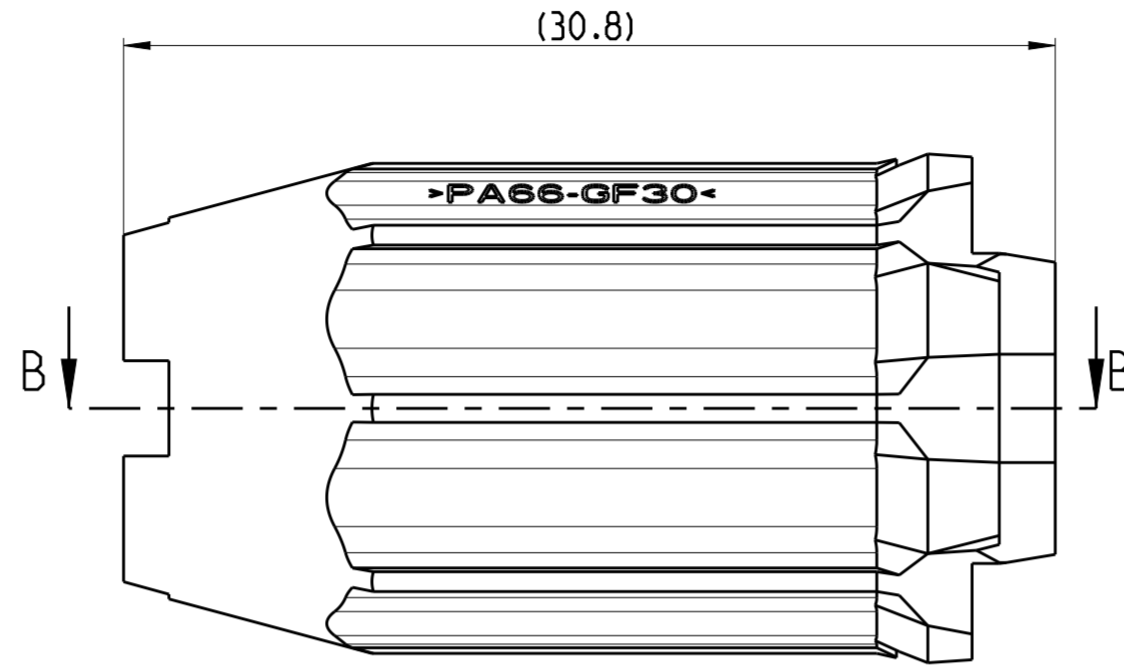
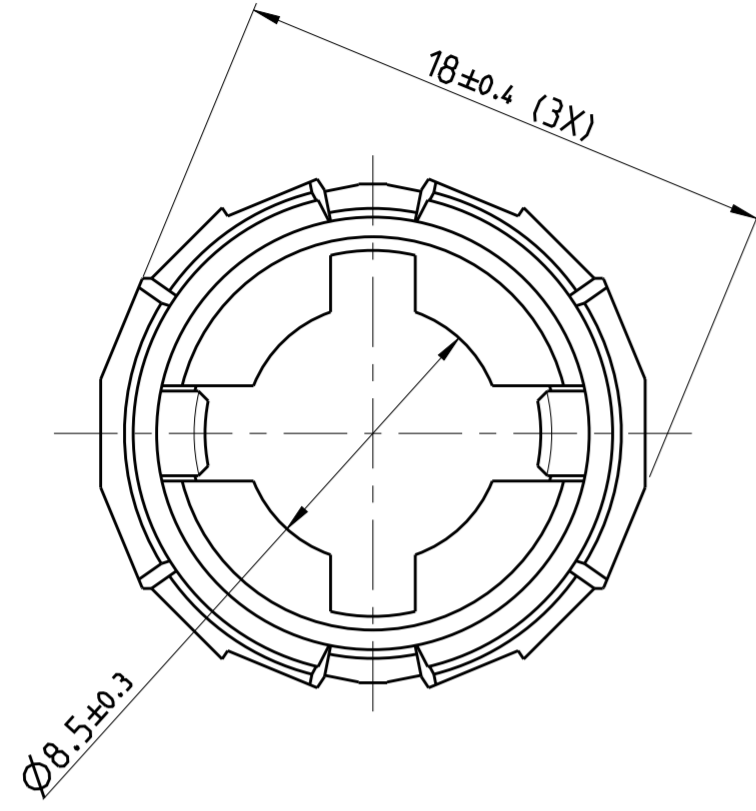


THIS DRAWING IS UNPUBLISHED. RELEASED FOR PUBLICATION 2013
 © COPYRIGHT 2013 Tyco Electronics AMP GmbH ALL RIGHTS RESERVED.

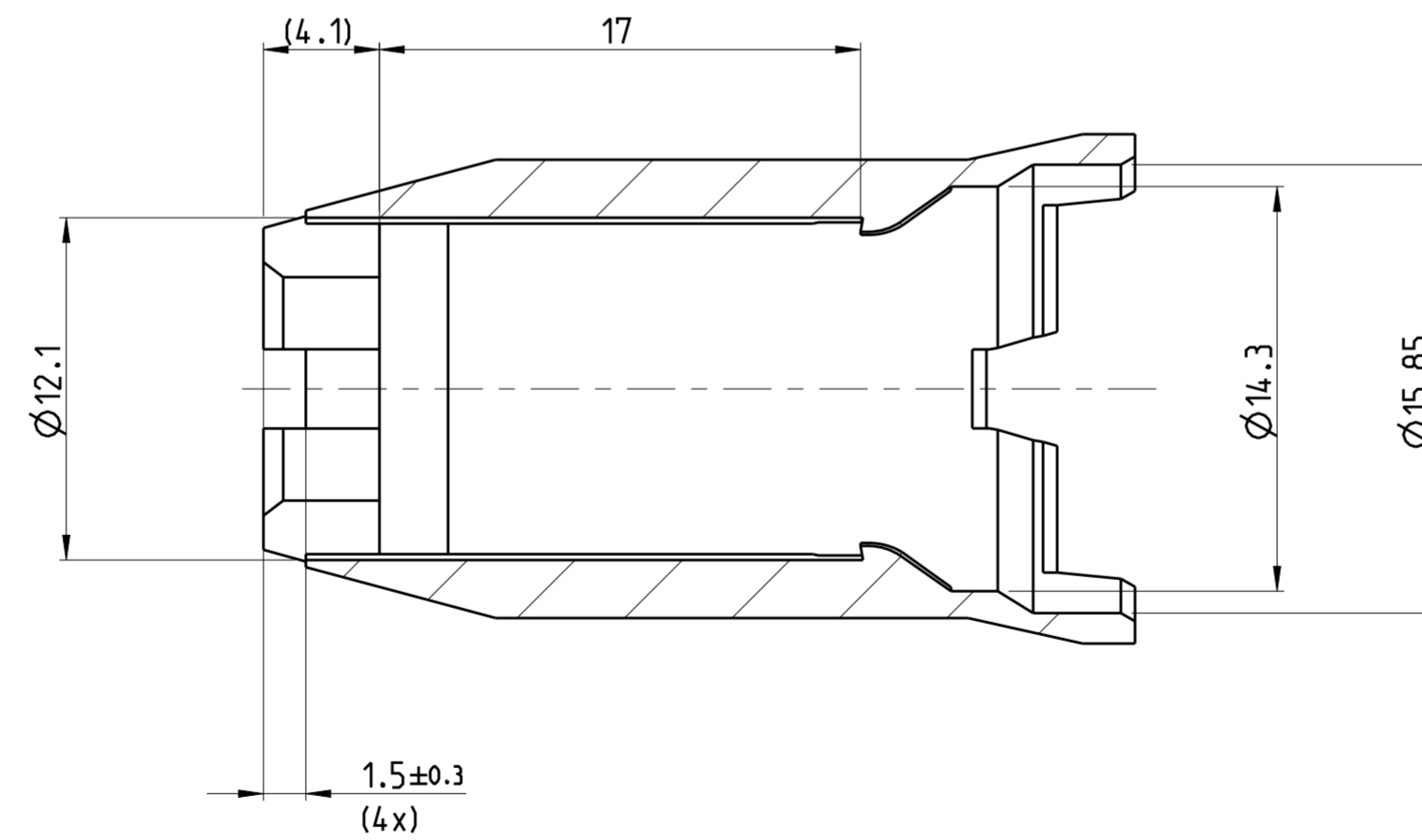
LOC	DIST	REVISIONS					
ES	00	P	LTR	DESCRIPTION	DATE	DWN	APVD
		A		RELEASED	11SEP16	J.L	I.Y
		B		REVISED ECO-17-016316	06DEC17	F.S	E.J



NOTES:

- 1 PACKAGING: BULK PACKAGING IN PLASTIC BAG AND SHIPPING BOX

B-B



-1 AS SHOWN

2302639-1	FINGER PROTECTION CAP	PA66-GF	ORANGE
TE-PART-NO.	DESCRIPTION	MATERIAL	COLOUR

THIS DRAWING IS A CONTROLLED DOCUMENT.		DWN J.LI 14 APR 2016	TE Connectivity		
DIMENSIONS: mm		CHK XX.LI 14 APR 2016			NAME FINGER PROTECTION CAP
TOLERANCES UNLESS OTHERWISE SPECIFIED: ±0.4 0. PLC ± 1. PLC ± 2. PLC ± 3. PLC ± 4. PLC ± ANGLES ± FINISH ±		APVD I.YIN 11 SEP 2016			RESTRICTED TO -
MATERIAL SEE LABEL		PRODUCT SPEC APPLICATION SPEC	SIZE A2	CAGE CODE 00779	
CUSTOMER DRAWING		WEIGHT -	DRAWING NO. C-2302639	SCALE 5:1	
			SHEET 1	OF 1	
			REV B		