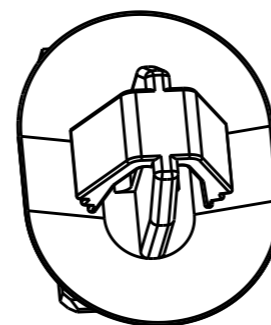
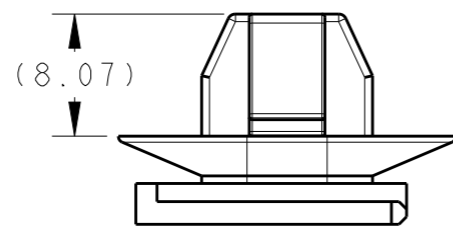
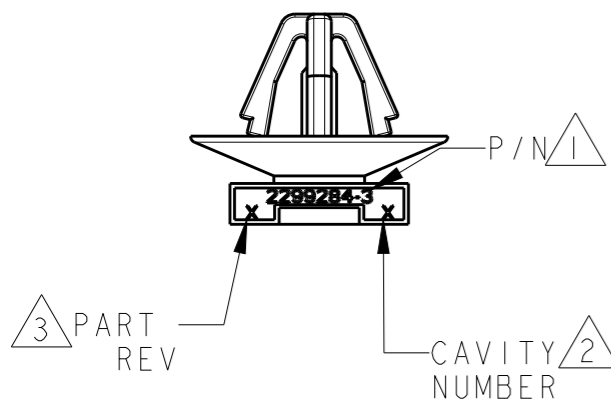


THIS DRAWING IS UNPUBLISHED. RELEASED FOR PUBLICATION 20
© COPYRIGHT 20 BY - ALL RIGHTS RESERVED.

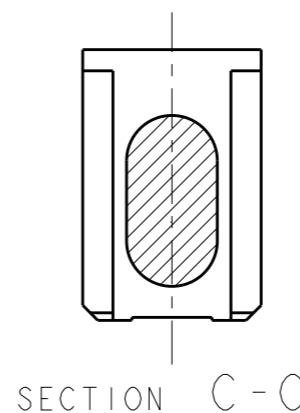
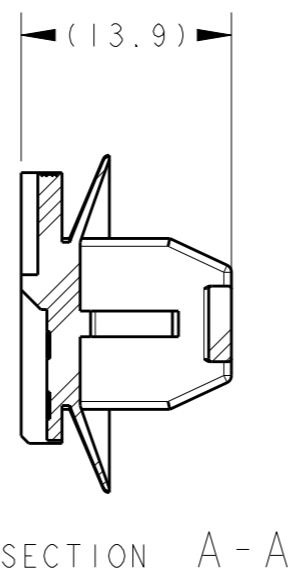
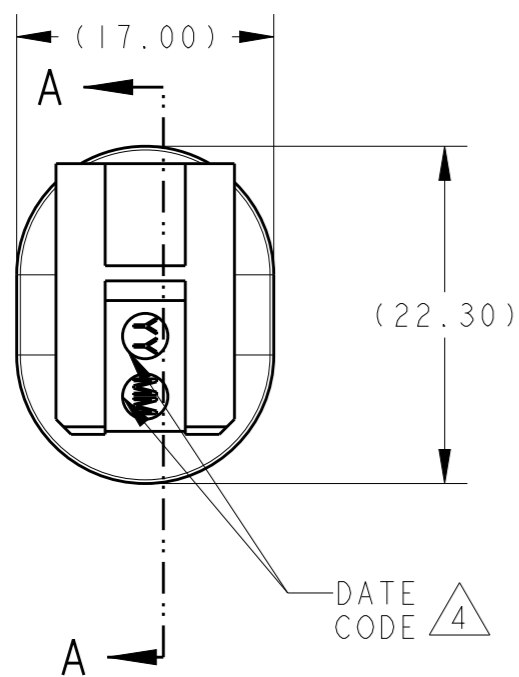
REVISIONS

P	LTR	DESCRIPTION	DATE	DWN	APVD
	A1	ECR-16-017975	27DEC2016	A.D	I.Y
	-	-	-	-	-
	-	-	-	-	-
	-	-	-	-	-

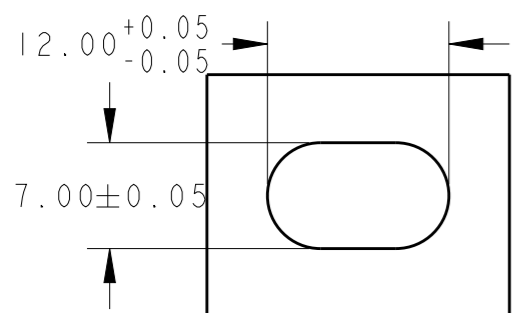


NOTES:

- 1 TE PART NUMBER,
- 2 CAVITY NO, USE NUMBER 1, 2, 3....
- 3 PART REVE NO USE . A, B, C, D..
- 4 DATE CODE
- 5. MATERIAL: PA66, NO GLASS FIBER. COLOUR: BLACK.
- 6. FLASH/BURRS<=0.3mm PERMITTED.
- 7. ALL AREA WITHOUT DIMENSION CONSIDER TOLERANCE IS ±0.5.
- 8. REFERENCE 1-1897255-2



2299284-3	7x12 CLIP	BLACK	ITEM
PART NO	DESCRIPTION	COLOUR	



PANEL SIZE THICKNESS: 0.7-2.0mm

THIS DRAWING IS A CONTROLLED DOCUMENT.

DIMENSIONS:	TOLERANCES UNLESS OTHERWISE SPECIFIED:
mm	
	Ø PLC ±
	1 PLC ±0.1
	2 PLC ±0.01
	3 PLC ±0.001
	4 PLC ±0.0001
	ANGLES ±
MATERIAL	FINISH
-	-
-	-

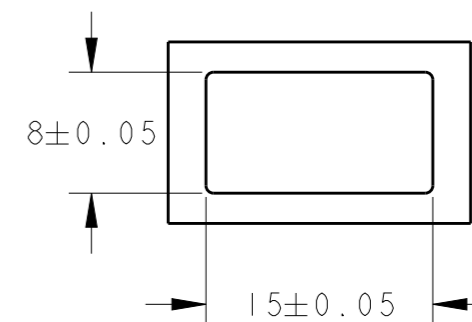
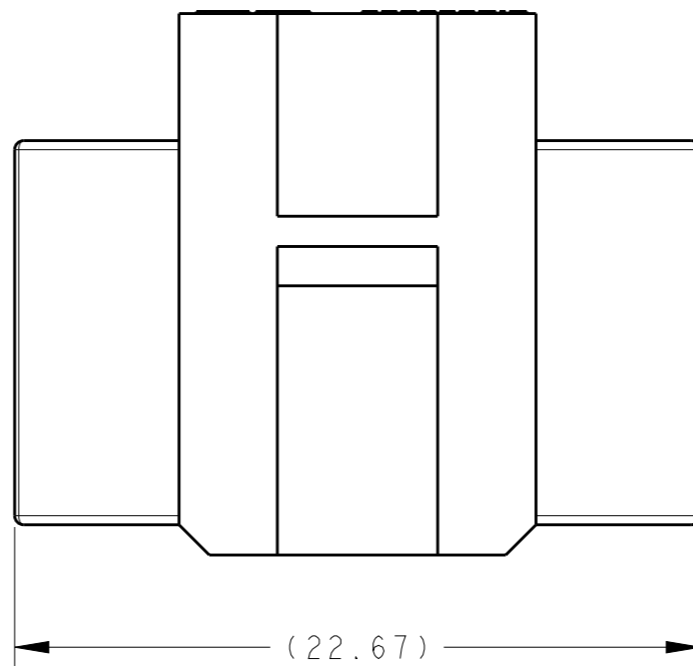
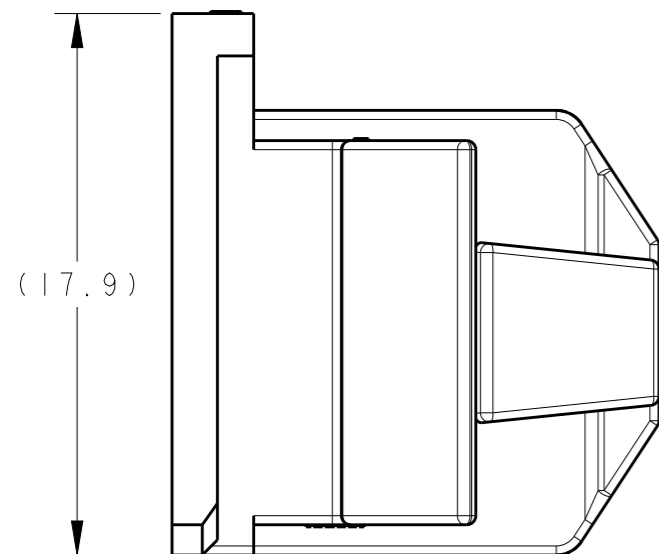
DWN	A.DANG	27DEC2016
CHK	SY.WANG	27DEC2016
APVD	I.YIN	27DEC2016
PRODUCT SPEC	108-101512	
APPLICATION SPEC	-	
WEIGHT	-	
CUSTOMER DRAWING		

		TE Connectivity	
		NAME 7X12CLIP	
SIZE	CAGE CODE	DRAWING NO	RESTRICTED TO
A3	-	©-2299284	-
SCALE 2:1		SHEET 1 OF 2	REV A1

THIS DRAWING IS UNPUBLISHED. RELEASED FOR PUBLICATION 20
© COPYRIGHT 20 BY - ALL RIGHTS RESERVED.

REVISIONS

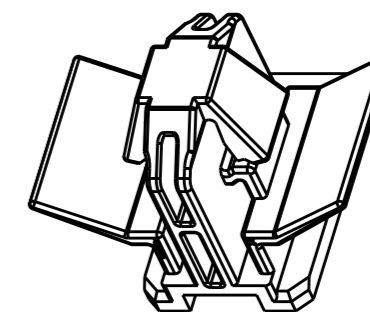
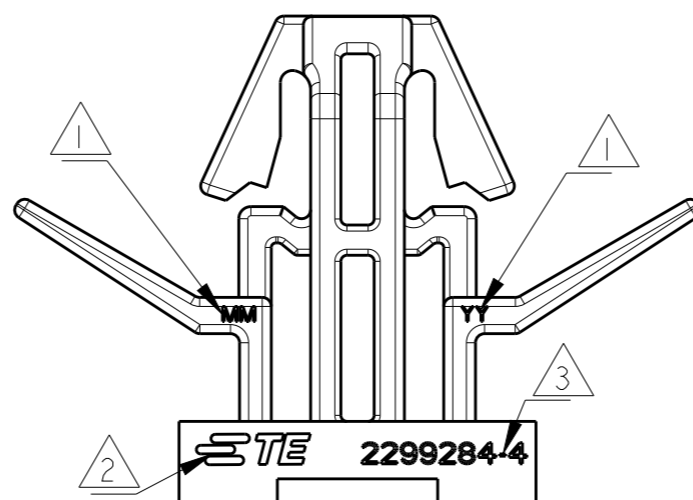
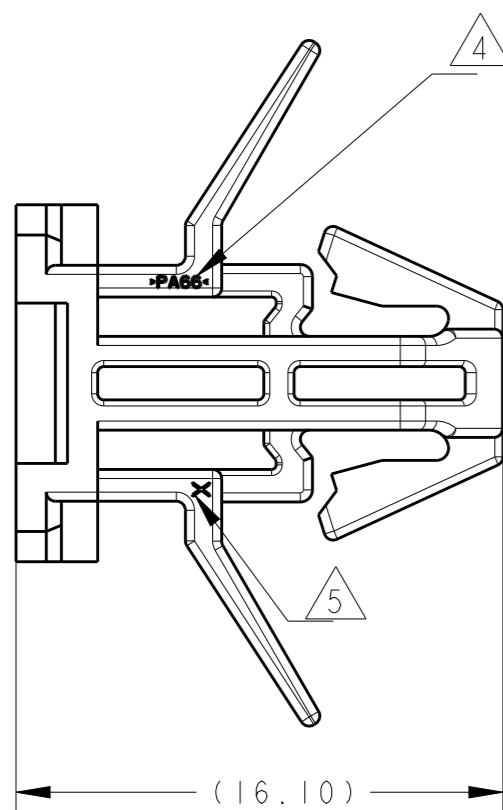
P	LTR	DESCRIPTION	DATE	DWN	APVD
	A	RELEASED	15MAR2016	R.P	SY.W
	AI	ECR-16-017975	27DEC2016	A.D	I.Y



PANEL HOLE DIMENSION:
PANEL THICKNESS: 1.0mm

NOTES:

- 1 MANUFACTURING DATE CODE EXCHANGEABLE.
- 2 TE LOGO
- 3 TE PART NUMBER.
- 4 MATERIAL IDENTIFIER
- 5 TOOLING CAVITY NO.
- 6. MATERIAL: PA66, NO GLASS FIBER. COLOUR: NATURE.
- 7. FLASH/BURRS<=0.3mm PERMITTED.
- 8. ALL AREA WITHOUT DIMENSION CONSIDER TOLERANCE IS ±0.50.



2299284-4	8X15CLIP	NATURE	ITEM
PART NO	DESCRIPTION	COLOUR	



THIS DRAWING IS A CONTROLLED DOCUMENT.

DIMENSIONS: mm	TOLERANCES UNLESS OTHERWISE SPECIFIED: 0 PLC ± 1 PLC ±0.1 2 PLC ±0.01 3 PLC ±0.001 4 PLC ±0.0001 ANGLES ±
MATERIAL	FINISH

DWN	R.PAN	15MAR2016
CHK	A.DANG	15MAR2016
APVD	SY.WANG	15MAR2016
PRODUCT SPEC	108-101512	
APPLICATION SPEC	-	
WEIGHT	-	
CUSTOMER DRAWING		

		TE Connectivity	
		NAME 8 X 15 CLIP	
SIZE	CAGE CODE	DRAWING NO	RESTRICTED TO
A3	-	C-2299284	-
SCALE		SHEET	REV
3:1		2 OF 2	AI