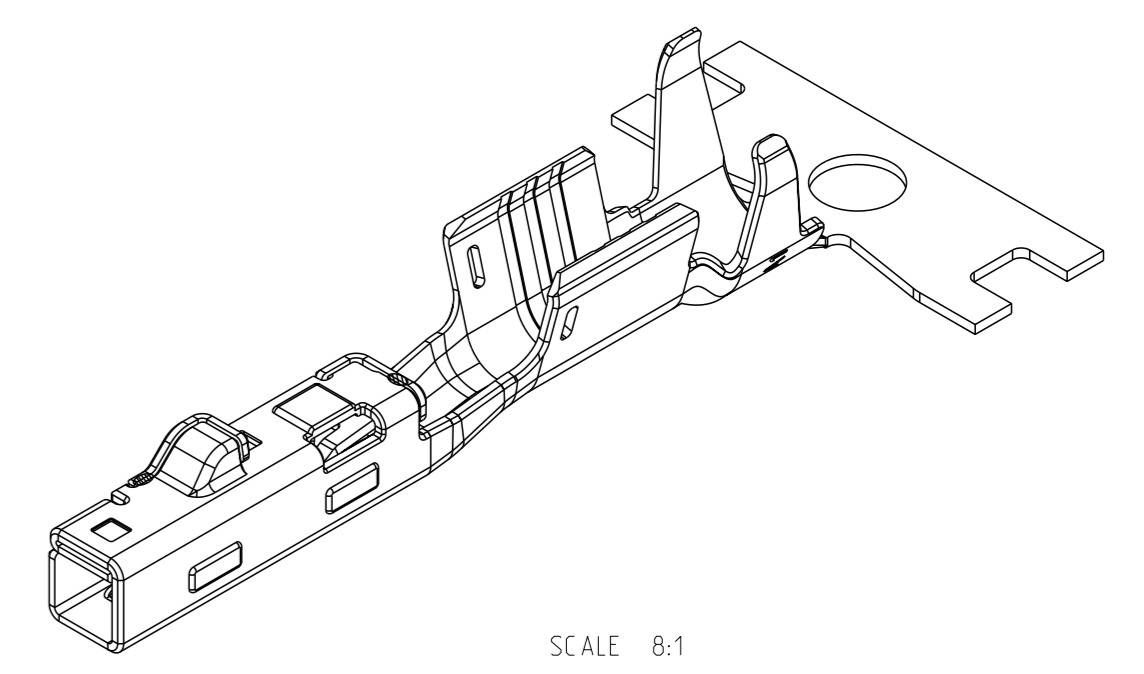
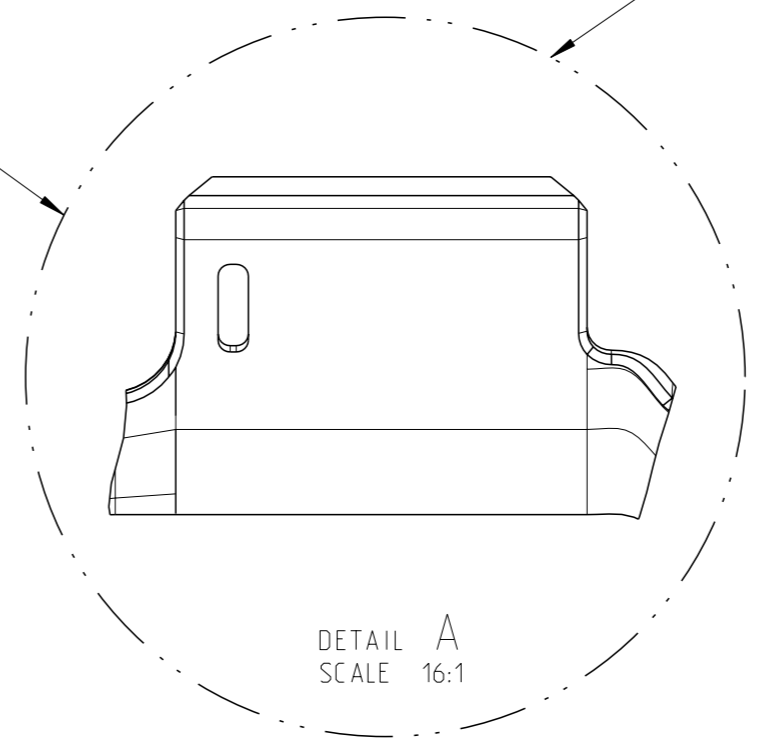
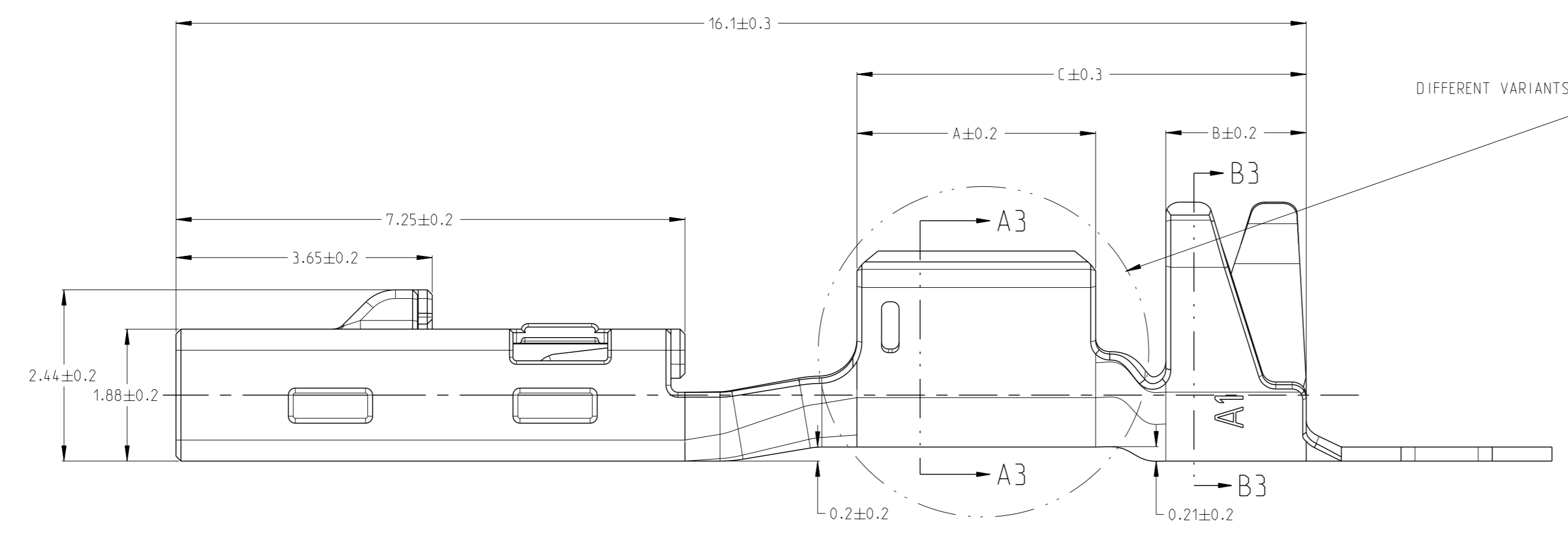
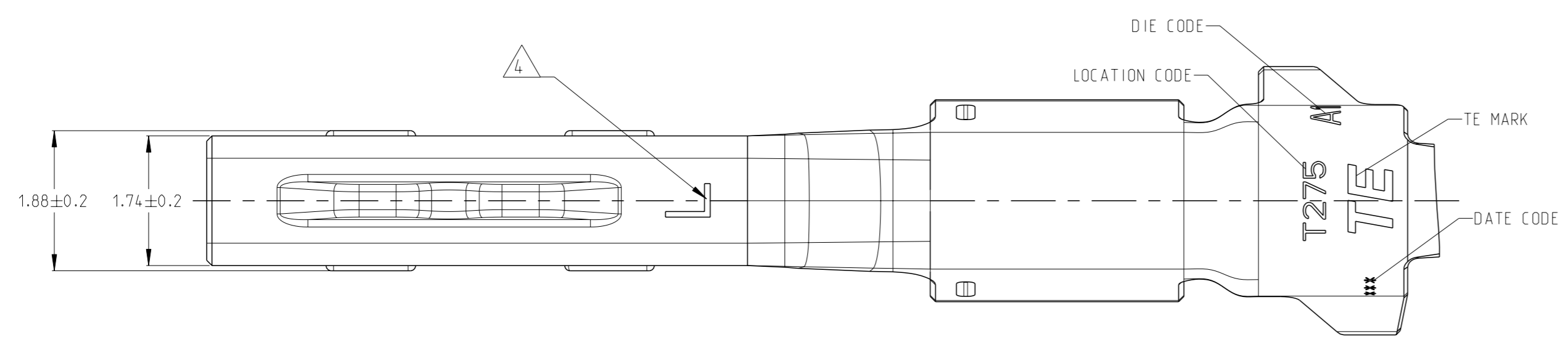
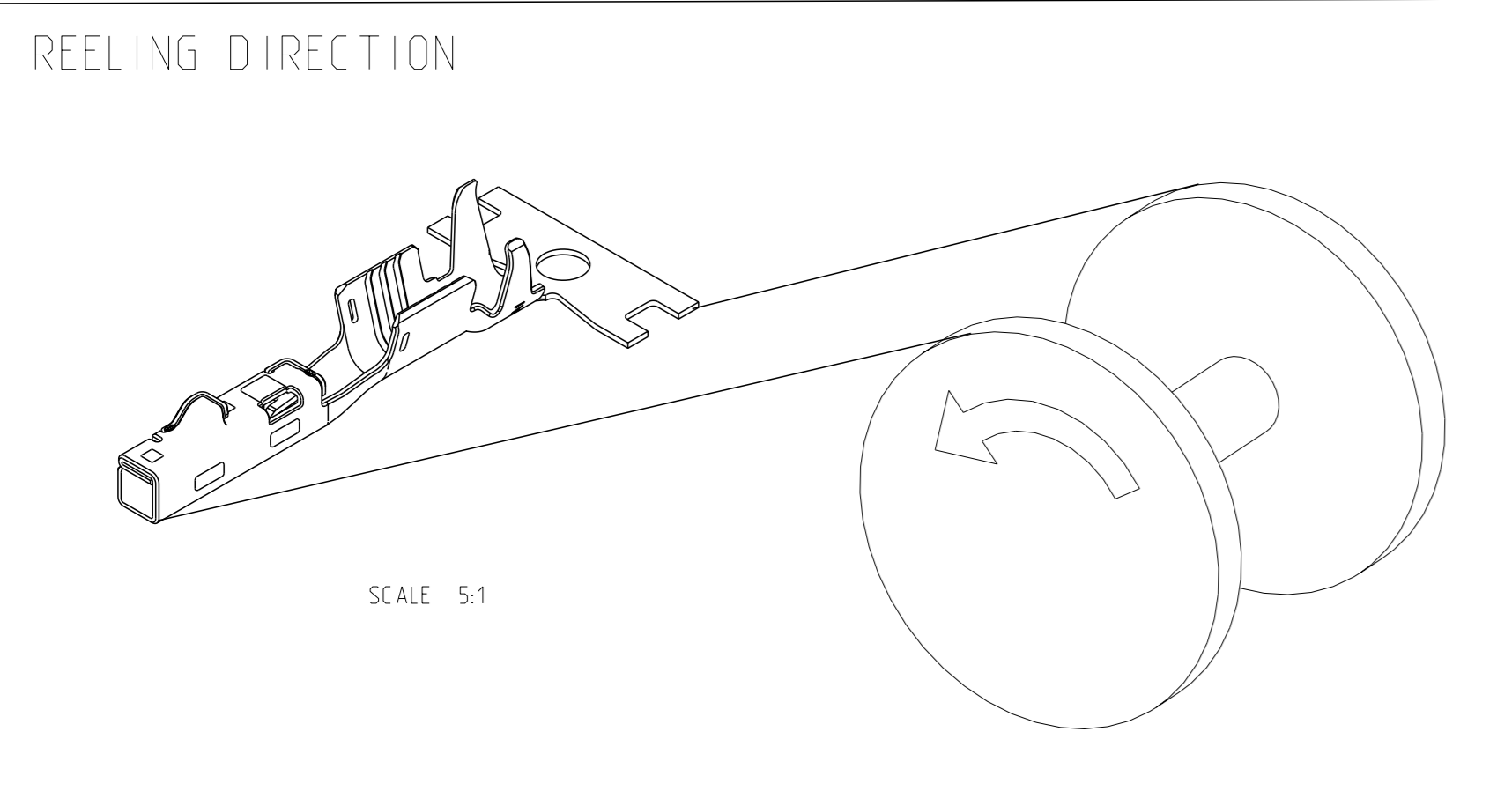
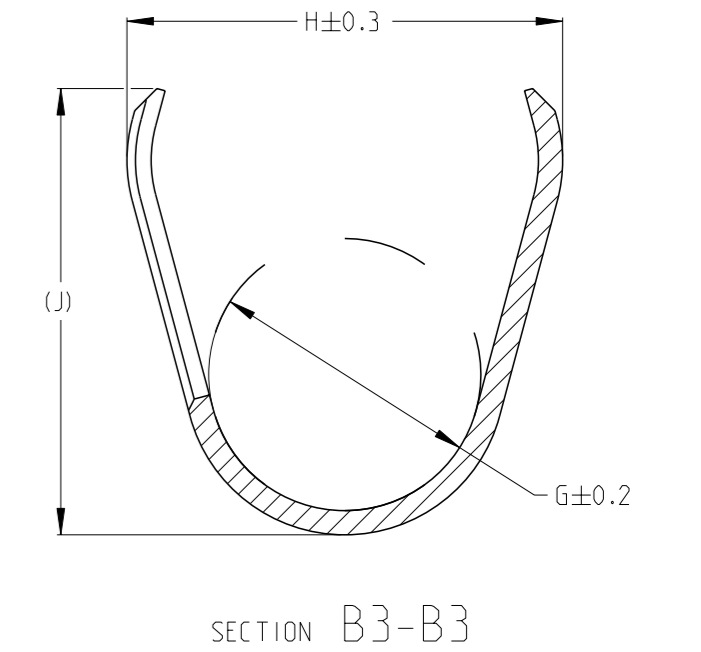
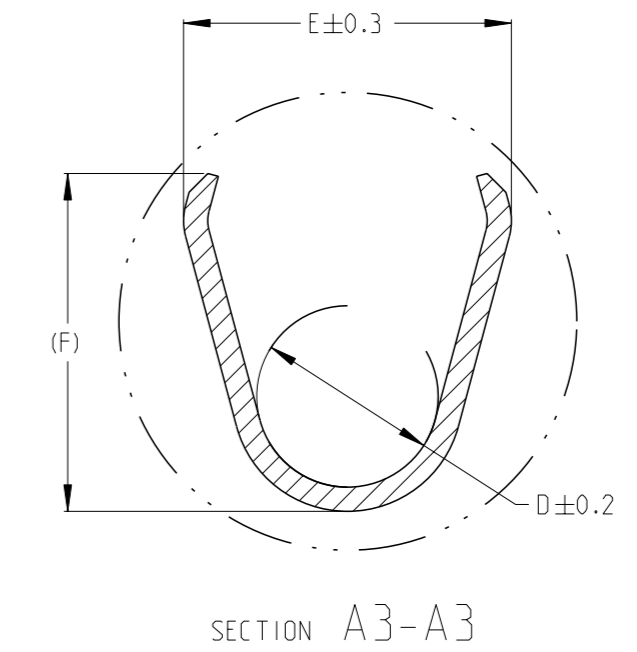
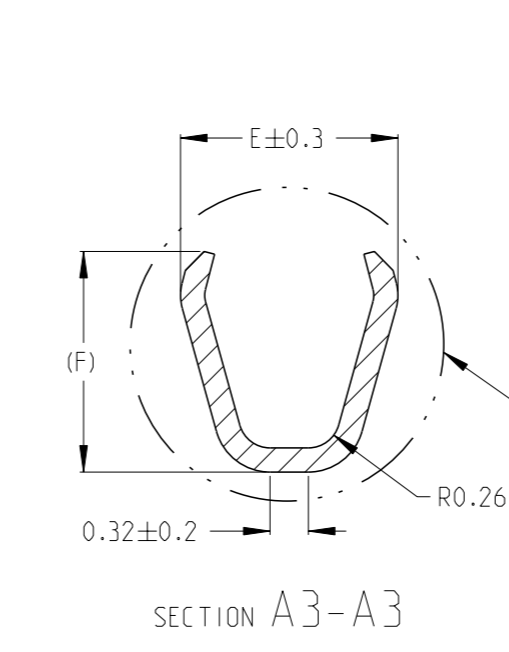
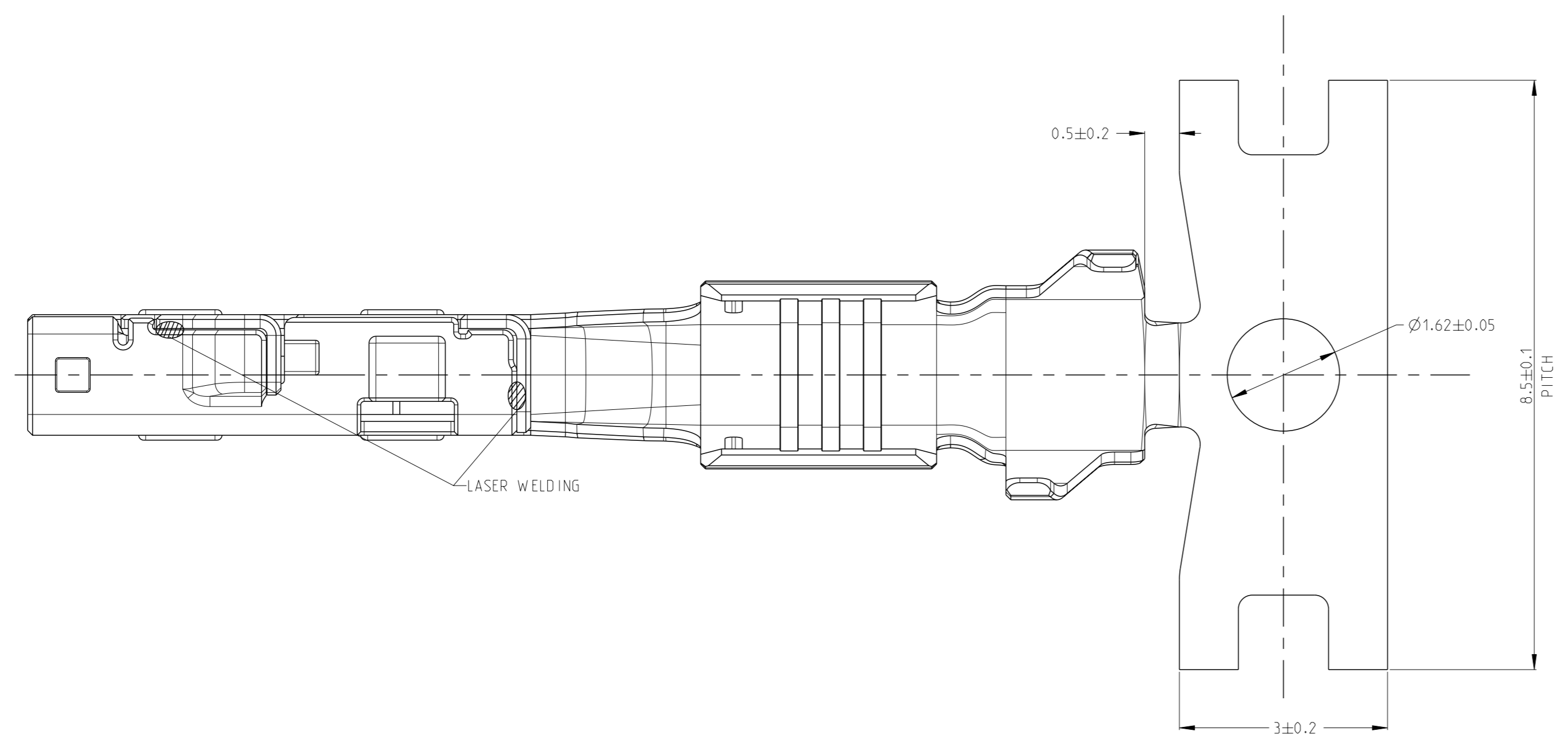


REVISIONS				
#	LY#	DESCRIPTION	DATE	OWN APVD
A1		REVISE	22 JUL 2020	J.Y. E.J.



1. TERMINAL DESIGNED TO BE USED WITH FLR CABLE
 2. MAX. 9 TERMINAL MISSING PER REEL PERMITTED
 3. 3 LOOSE SPLICES PER REEL PERMITTED
- △ WIRE SIZE MARK, PLEASE SEE TABLE



2296537-3	A	1.0-1.5mm ²	1.9-2.4mm	L	CuNiSi	PRE-TIN	3.4	2.0	6.4	1.5	2.7	2.8	2.25	3.6	3.7
2296537-2	A	0.5-0.75mm ²	1.4-1.9mm	M			3.2	1.8	6.0	1.1	2.0	2.2	1.6	2.8	2.9
2296537-1	A	0.22-0.35mm ²	1.1-1.4mm	S			2.9	2.0	6.0	-	1.8	1.8	1.3	2.35	2.5
PART NUMBER	REV.	WIRE RANGE	INSULATION RANGE	WIRE SIZE MARK	MATERIAL	FINISH	LENGHT			WIRE CRIMP			INSULATION CRIMP		

THIS DRAWING IS A CONTROLLED DOCUMENT.

DIMENSIONS:	TOLERANCES UNLESS OTHERWISE SPECIFIED:	OWN: G.ZHANG 21DEC2017	CHK: E.JIANG 21DEC2017	APVD: LYIN 21DEC2017
mm	±0.2	NAME: FEMALE TERMINAL, TIN PLATED, REM MONO 1.2, CLEAN BODY	PRODUCT SPEC: 108-101426	APPLICATION SPEC: 114-101043
MATERIAL:	FINISH:	SIZE: A1	CAGE CODE: -	DRAWING NO: C=2296537
		WEIGHT:		RESTRICTED TO: -

CUSTOMER DRAWING SCALE 16:1 SHEET 1 OF 1 REV A1