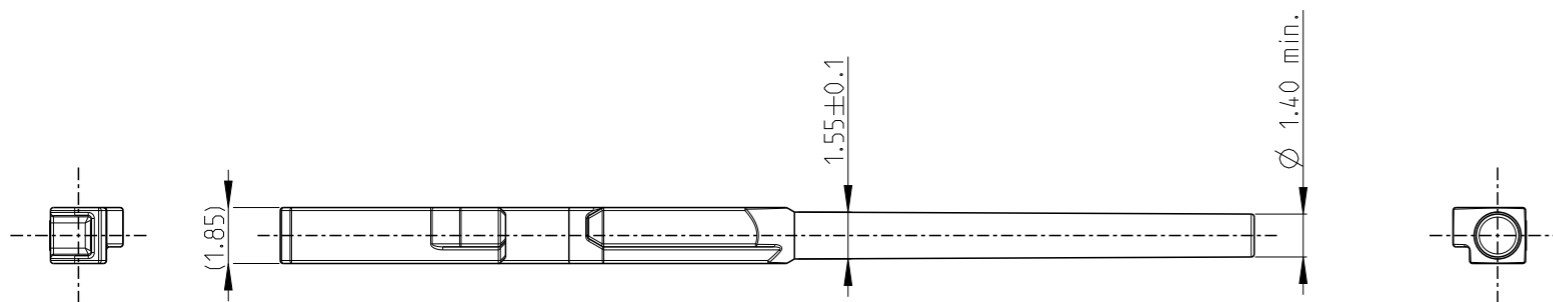
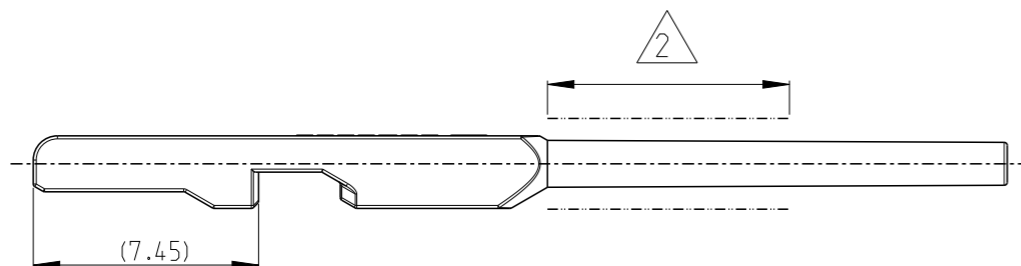
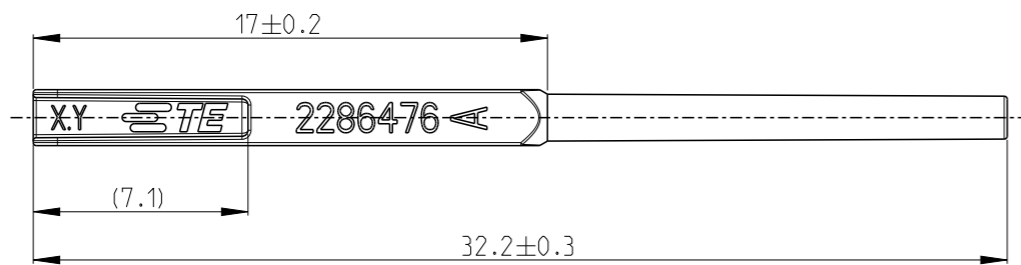
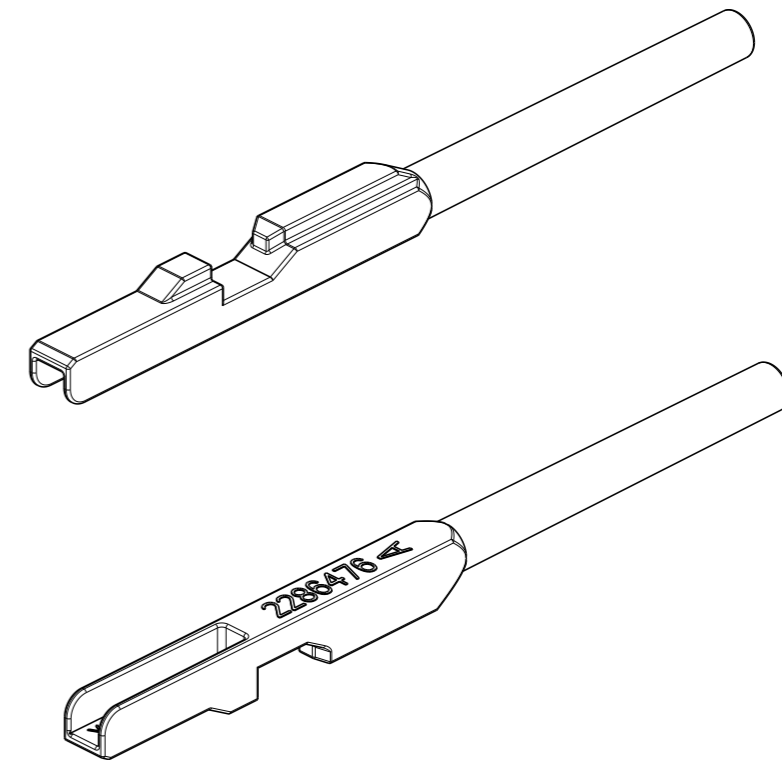


PN: 2286476-3

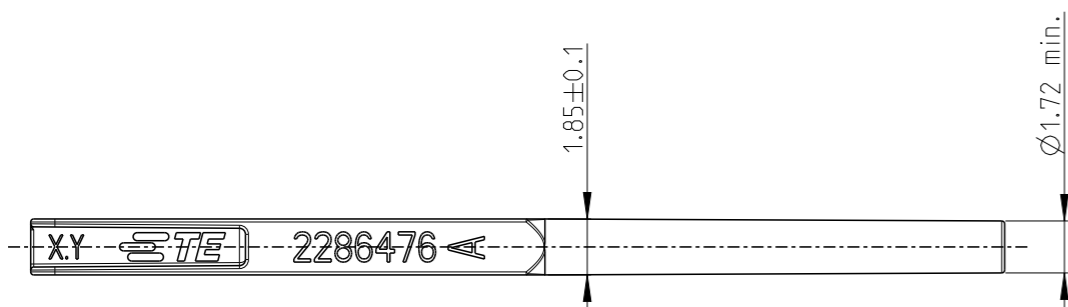
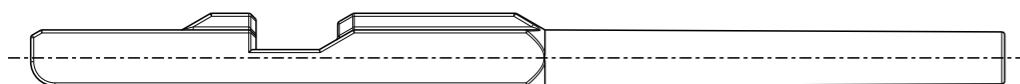


REVISIONS					
P	LTR	DESCRIPTION	DATE	DWN	APVD
A		INITIAL RELEASE	22MAR2021	J.G	I.Y
B		ECN-22-172197	31AUG2022	K.L	Z.Z



1. PACKAGING: LOOSE PIECE IN FOLDING BOX
 2. SEALING SURFACE

PN: 2286476-4
 MISSING DIMENSION AND NOTES SEE PN 2286476-3



1.0~1.5mm ²	2286476-4	A	NYLON GF15	GREEN (RAL 6017)	2
≤0.75mm ²	2286476-3	A	NYLON GF15	VIOLET (RAL 4004)	1
WIRE SIZE RANGE (mm ²)	PN	REV.	MATERIAL	COLOR	ITEM

THIS DRAWING IS A CONTROLLED DOCUMENT.		DWN J.GU 22MAR2021																	
DIMENSIONS: mm		CHK C.WAN 22MAR2021																	
		APVD I.YIN 22MAR2021																	
MATERIAL SEE TABLE		FINISH -																	
<table border="1"> <thead> <tr> <th>PLC</th> <th>TOLERANCES UNLESS OTHERWISE SPECIFIED</th> </tr> </thead> <tbody> <tr> <td>0 PLC</td> <td>±</td> </tr> <tr> <td>1 PLC</td> <td>±</td> </tr> <tr> <td>2 PLC</td> <td>±</td> </tr> <tr> <td>3 PLC</td> <td>±</td> </tr> <tr> <td>4 PLC</td> <td>±</td> </tr> <tr> <td>ANGLES</td> <td>±</td> </tr> </tbody> </table>		PLC	TOLERANCES UNLESS OTHERWISE SPECIFIED	0 PLC	±	1 PLC	±	2 PLC	±	3 PLC	±	4 PLC	±	ANGLES	±	PRODUCT SPEC 108-32589 APPLICATION SPEC 114-101085 WEIGHT 0.09	NAME SEALING PLUG, MCON 1.2 CB SIZE A3 CAGE CODE 00779 DRAWING NO C-2388579 RESTRICTED TO -		
PLC	TOLERANCES UNLESS OTHERWISE SPECIFIED																		
0 PLC	±																		
1 PLC	±																		
2 PLC	±																		
3 PLC	±																		
4 PLC	±																		
ANGLES	±																		
CUSTOMER DRAWING		SCALE 2:1	SHEET 1 OF 1	REV B															