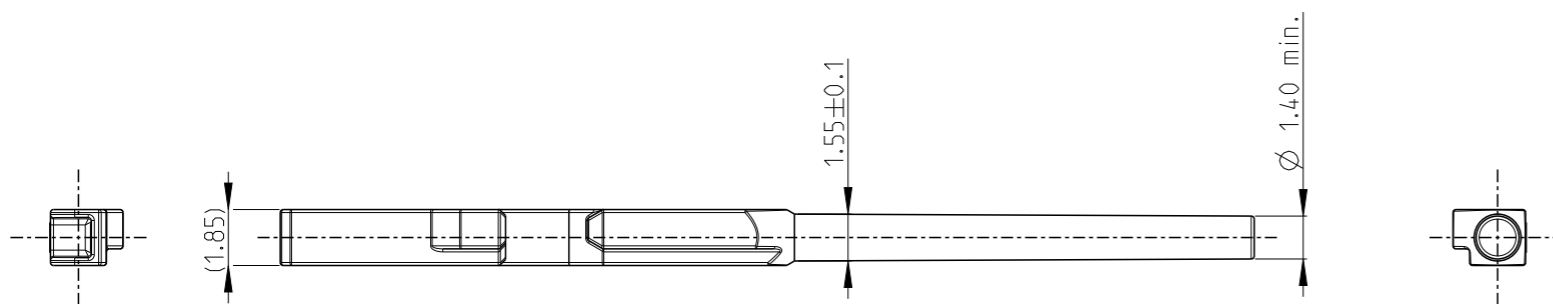
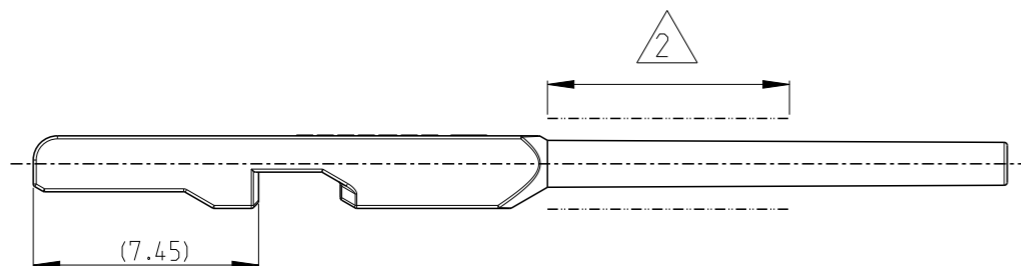
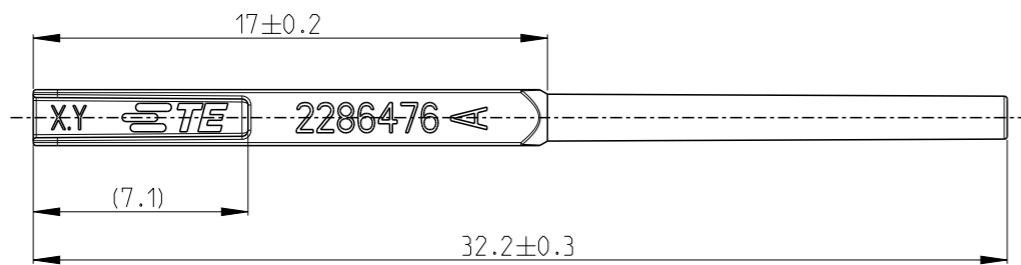
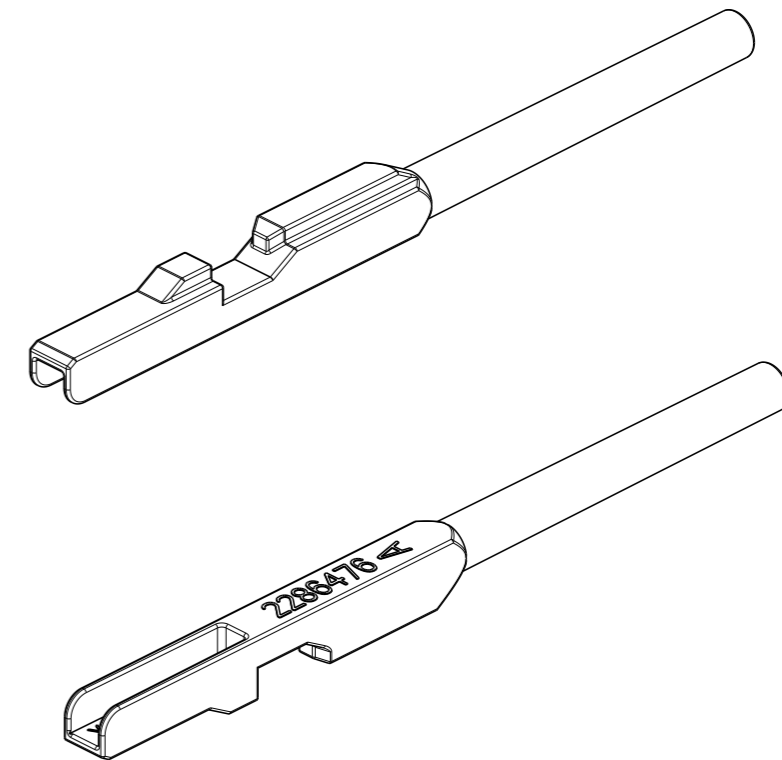


PN: 2286476-3

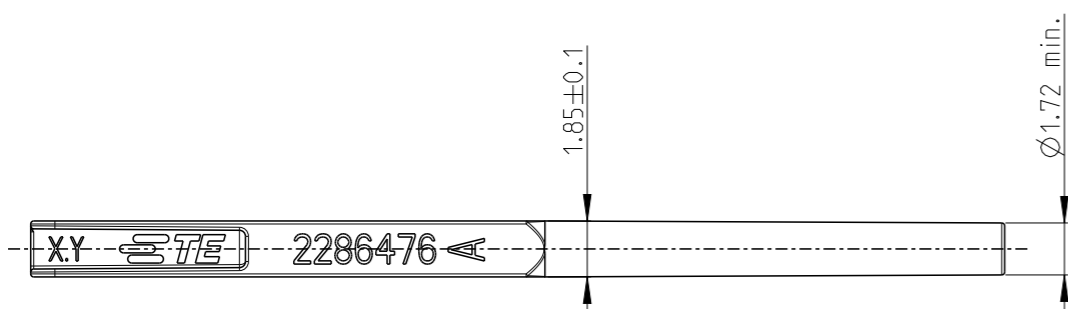
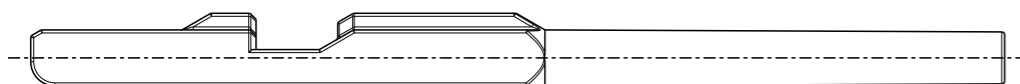


REVISIONS					
P	LTR	DESCRIPTION	DATE	DWN	APVD
	A	INITIAL RELEASE	22MAR2021	J.G	I.Y
	B	ECN-22-172197	31AUG2022	K.L	Z.Z



1. PACKAGING: LOOSE PIECE IN FOLDING BOX
 2 SEALING SURFACE

PN: 2286476-4
 MISSING DIMENSION AND NOTES SEE PN 2286476-3



1.0~1.5mm ²	2286476-4	A	NYLON GF15	GREEN (RAL 6017)	2
≤0.75mm ²	2286476-3	A	NYLON GF15	VIOLET (RAL 4004)	1
WIRE SIZE RANGE (mm ²)	PN	REV.	MATERIAL	COLOR	ITEM

THIS DRAWING IS A CONTROLLED DOCUMENT.

DWN J.GU 22MAR2021

CHK C.WAN 22MAR2021

APVD I.YIN 22MAR2021

PRODUCT SPEC

108-32589

APPLICATION SPEC

114-101085

WEIGHT

0.09

CUSTOMER DRAWING

NAME SEALING PLUG, MCON 1.2 CB

-

-

SIZE CAGE CODE DRAWING NO

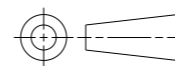
A3 00779 C-2388579

RESTRICTED TO

-

DIMENSIONS:

mm



MATERIAL
SEE TABLE

TOLERANCES UNLESS OTHERWISE SPECIFIED.

0 PLC	±
1 PLC	±
2 PLC	±
3 PLC	±
4 PLC	±
ANGLES	±
FINISH	-

STE TE Connectivity