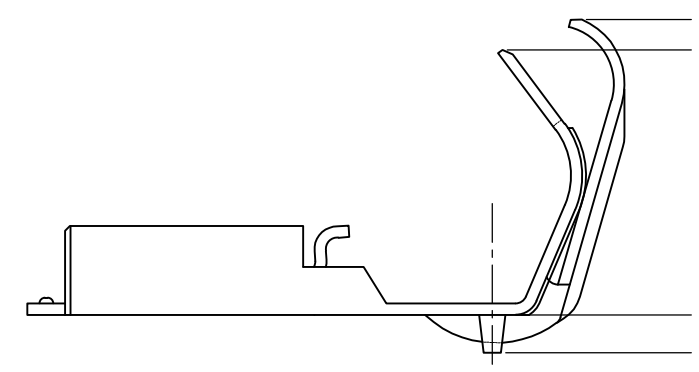
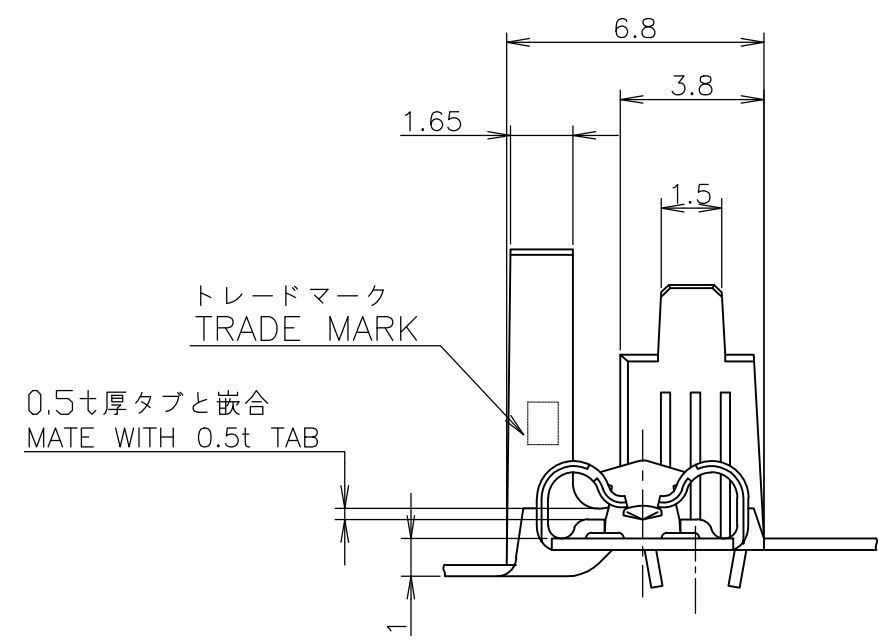
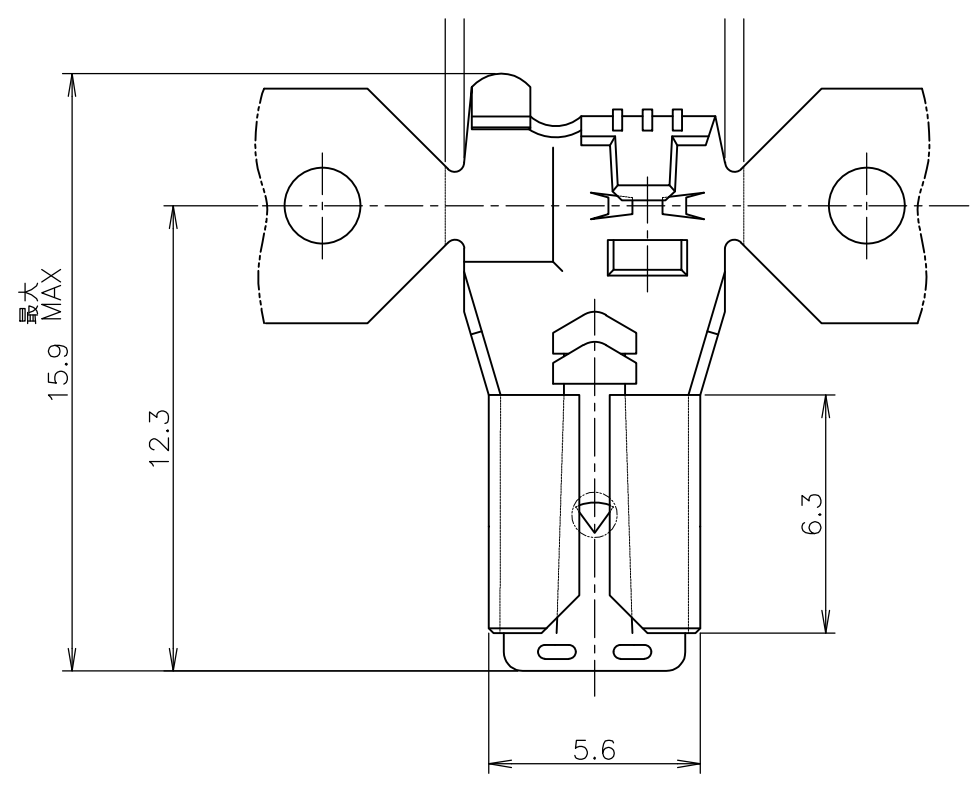


THIS DRAWING IS UNPUBLISHED.      RELEASED FOR PUBLICATION      MAR , 2013.  
 © COPYRIGHT 2013 By -      ALL RIGHTS RESERVED.

LOC	DIST	REVISIONS 変更					
J	/	P	LTR	DESCRIPTION	DATE	DWN	APVD
		A1		REVISED PER ECR-19-018072	02DEC2019	SS	TD

-1; AS SHOWN



- 1 APPLICABLE SLEEVE P/N: 1717269, 178708
- △ OBSOLETE PART
- 1 適用スリーブ型番: 1717269, 178708

PRE TINNED PHOSPHOR BRONZE 0.3t 錫めっき済み燐青銅 0.3t	2232342-2
PRE TINNED BRASS 0.3t 錫めっき済み黄銅 0.3t	2232342-1
MATERIAL 材質	P/N 型番
WIRE RANGE 抱合電線断面積	AWG #22-#16 0.3~1.42 mm <sup>2</sup>
INSULATION DIA 被覆外径	1.5~4.32 mm $\phi$



NAME 名称		187 SERIES FLAG POSITIVE LOCK-EX REC. 187 シリーズ・旗型・ポジティブロック EX リセブタクル	
SIZE	CAGE CODE	DRAWING NO 番号	RESTRICTED TO
A3	00779	C-2232342	-
CUSTOMER DRAWING		SCALE 尺度	SHEET 1 OF 1
		5:1	REV A1

THIS DRAWING IS A CONTROLLED DOCUMENT.		DWN B.P	06MAR2013
		CHK F.M	06MAR2013
		APVD YH.M	06MAR2013
DIMENSIONS: 単位: 耗 mm		PRODUCT SPEC 製品規格	108-5250
		APPLICATION SPEC 取付適用規格	114-5118
TOLERANCES UNLESS OTHERWISE SPECIFIED: 一般公差		WEIGHT	
0 PLC	±		
1 PLC	±		
2 PLC	±		
3 PLC	±		
4 PLC	±		
ANGLES	±		
MATERIAL 材料	表参照 SEE TABLE	FINISH 仕上	

GENERAL TOLERANCE 一般公差
10 ≥ : ±0.2
30 ≥ > 10: ±0.25
100 ≥ > 30: ±0.3
ANGLES: ±3°