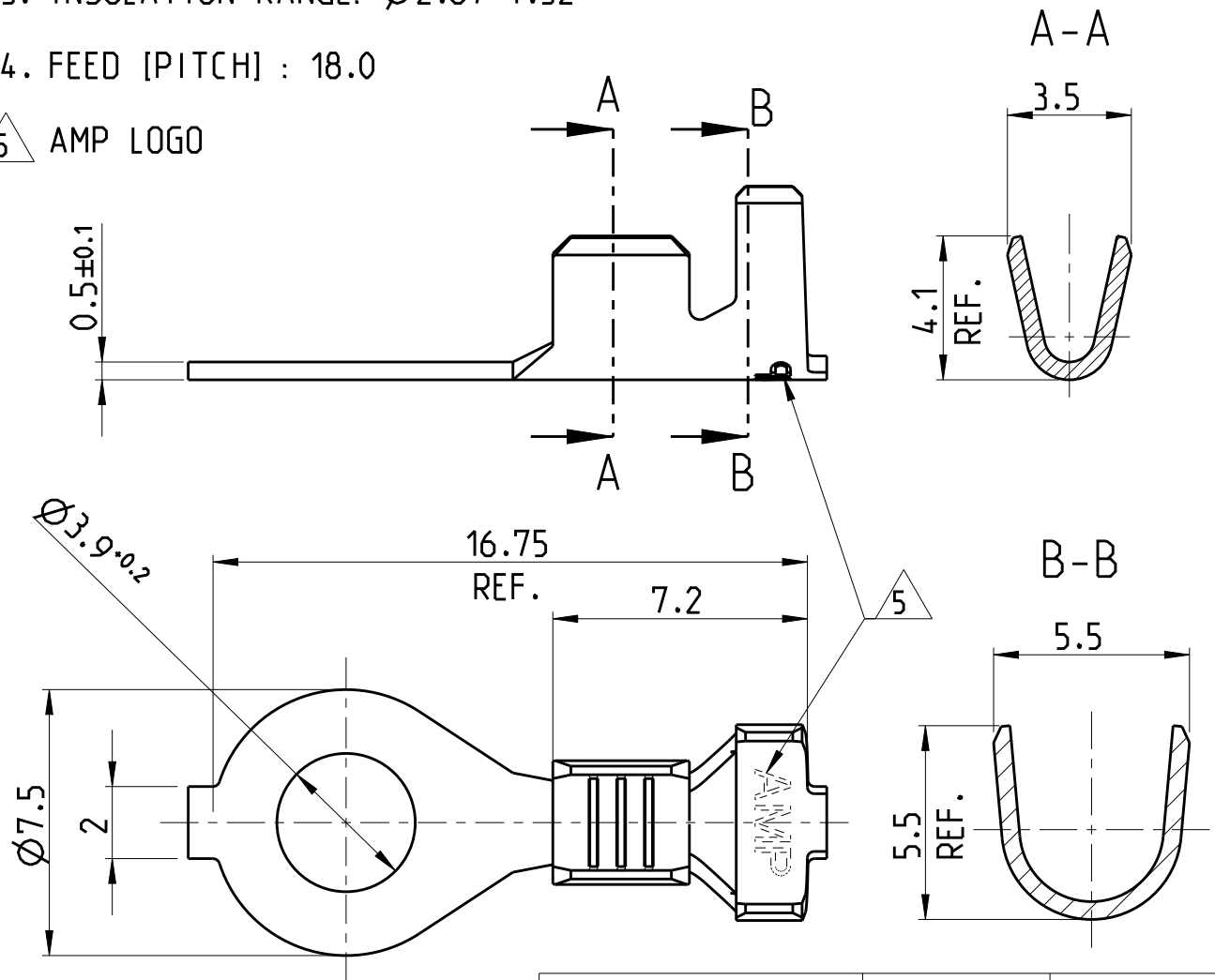


LOC	DIST	REVISIONS				
P	LTR	DESCRIPTION	DATE	DWN	APVD	
IR	-	A	INITIAL RELEASE	28DEC2012	PKS	RRP
		A1	REVISED PER ECR-16-015261	28OCT2016	RS	TD
		A2	REVISED PER ECR-19-017984	27NOV2019	PC	MK

NOTES:

1. CONTINUOUS STRIP ON REELS
2. WIRE RANGE: 18-14 AWG [0.8-2.0 SQ.mm]
3. INSULATION RANGE: \varnothing 2.67-4.32
4. FEED [PITCH] : 18.0

5 AMP LOGO



	FINISH	MATERIAL	PART NO
	PRE-TIN; 1-3 μ m	BRASS	2178506-3
OBSOLETE	PRE-TIN; 1-3 μm	BRASS	2178506-2
OBSOLETE	NONE	BRASS	2178506-1

2012
 RELEASED FOR PUBLICATION
 ALL RIGHTS RESERVED.
 THIS DRAWING IS UNPUBLISHED.
 COPYRIGHT 2012

DIMENSIONS: mm		DWN SETHIL 28DEC2012	MATERIAL SEE TABLE	FINISH SEE TABLE
TOLERANCES UNLESS OTHERWISE SPECIFIED:		CHK SETHIL 28DEC2012		
0 PLC \pm 0.2	1 PLC \pm 0.2	APVD RAJENDRA 28DEC2012		
2 PLC \pm 0.1	3 PLC \pm 0.05	PRODUCT SPEC	NAME RING TONGUE TERMINAL STUD DIA. 3.9; M3.5	
4 PLC \pm	ANGLES \pm °	APPLICATION SPEC 114-2084	SIZE A 4	CAGE CODE 00779
WEIGHT 0.4g approx.			DRAWING NO C-2178506	RESTRICTED TO -
CUSTOMER DRAWING		SCALE 5:1	SHEET 1	OF 1 REV A2