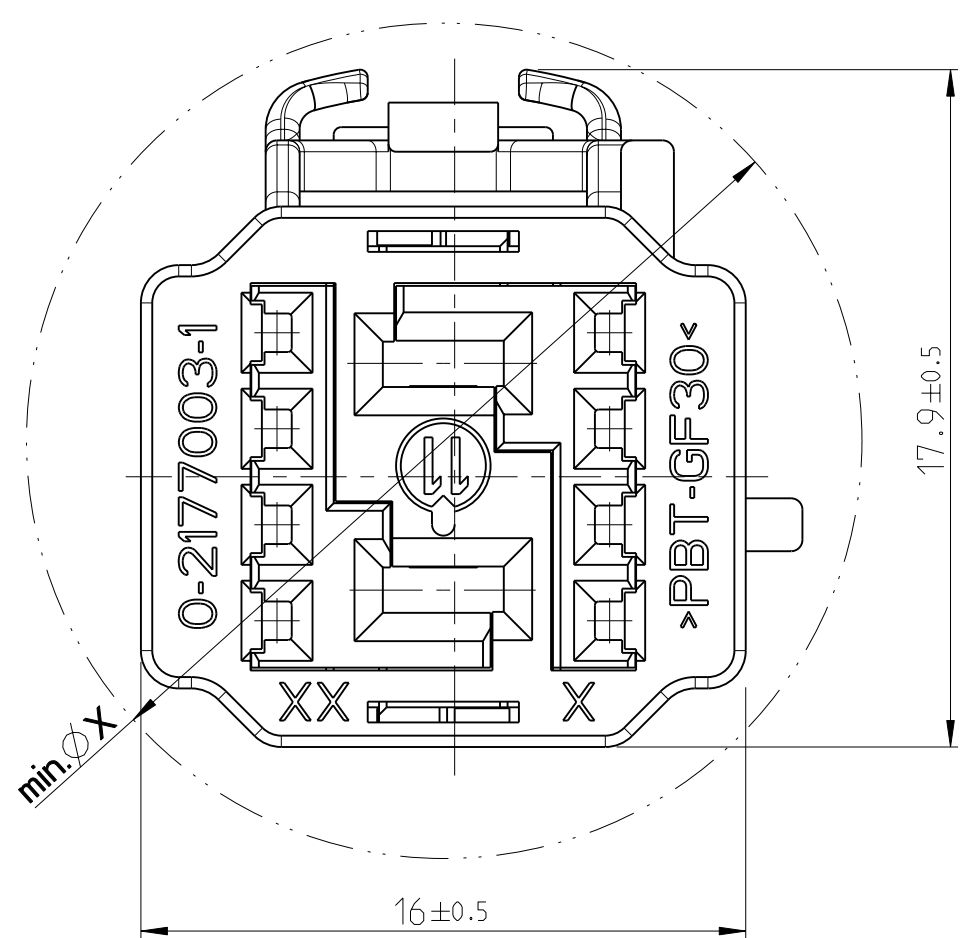
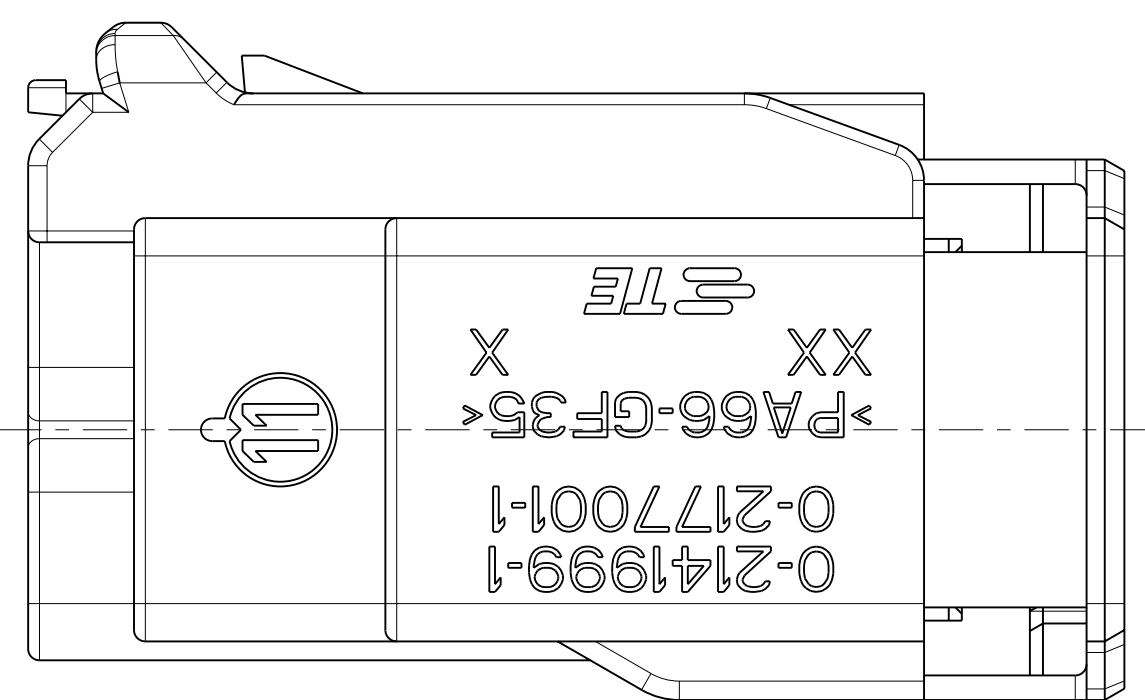


THIS DRAWING IS UNPUBLISHED. RELEASED FOR PUBLICATION 2011
 © COPYRIGHT 2011 ALL RIGHTS RESERVED.

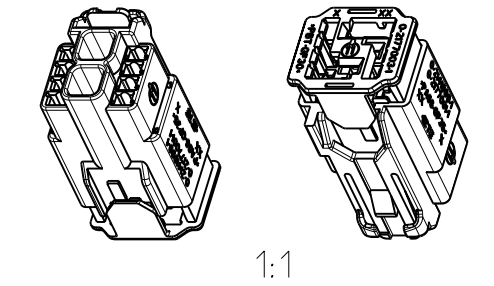
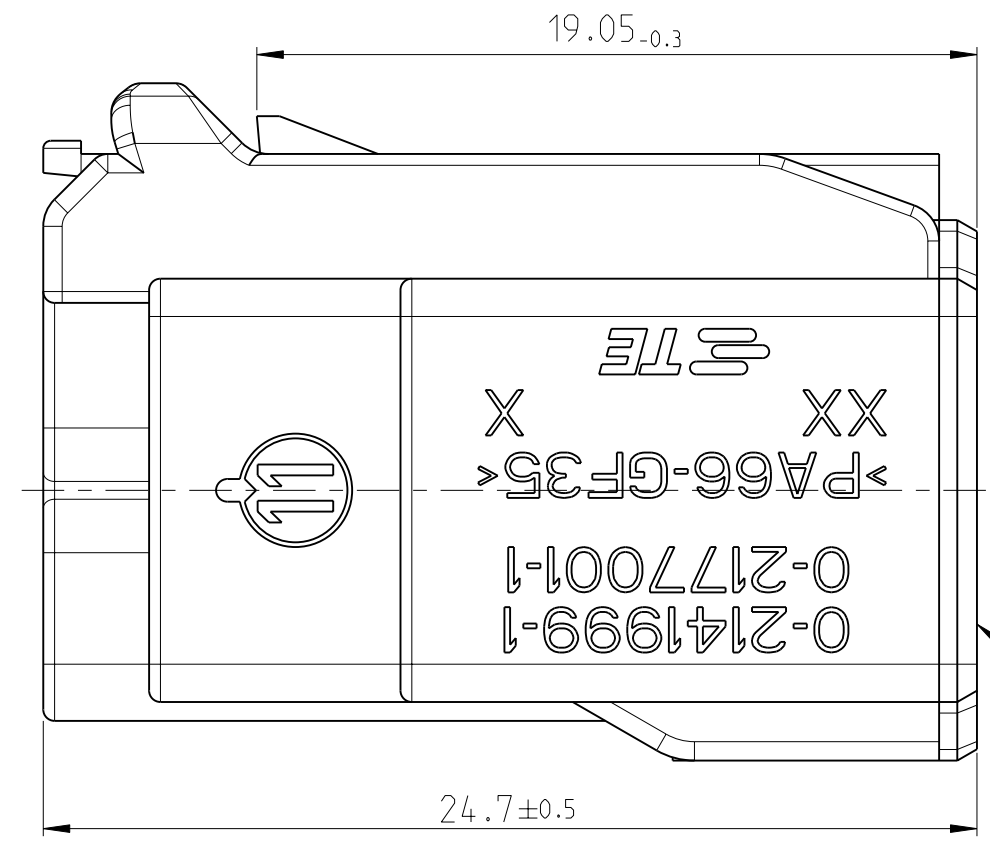
LOC	DIST	REVISIONS			
P	LTR	DESCRIPTION	DATE	DWN	APVD
A		NEW DRAWING	19APR2011	GP	GM
A1		CODING C AND CODING D ACTIVATED	21OCT2011	GP	GM
A2		ECR-11-022075	28OCT2011	GP	GM
B		ECR-12-005072	16MAR2012	GP	GM



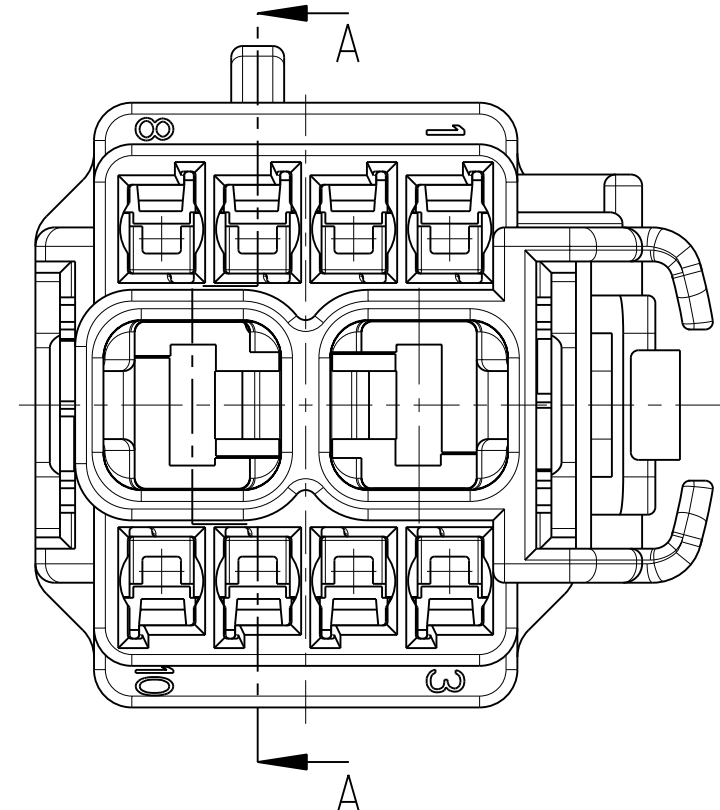
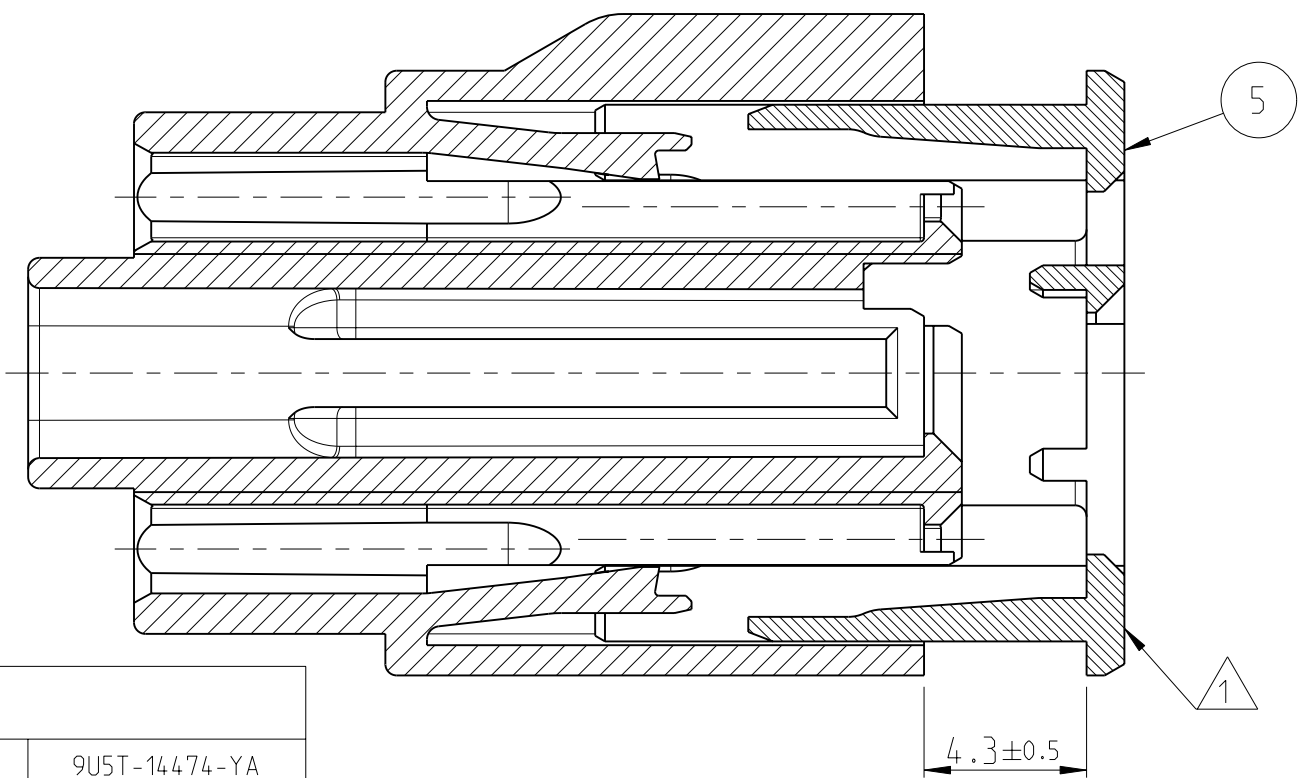
D	22.55
C	23.25
B	22.1
A	22.1
CODING min.∅X	



A-A



1:1



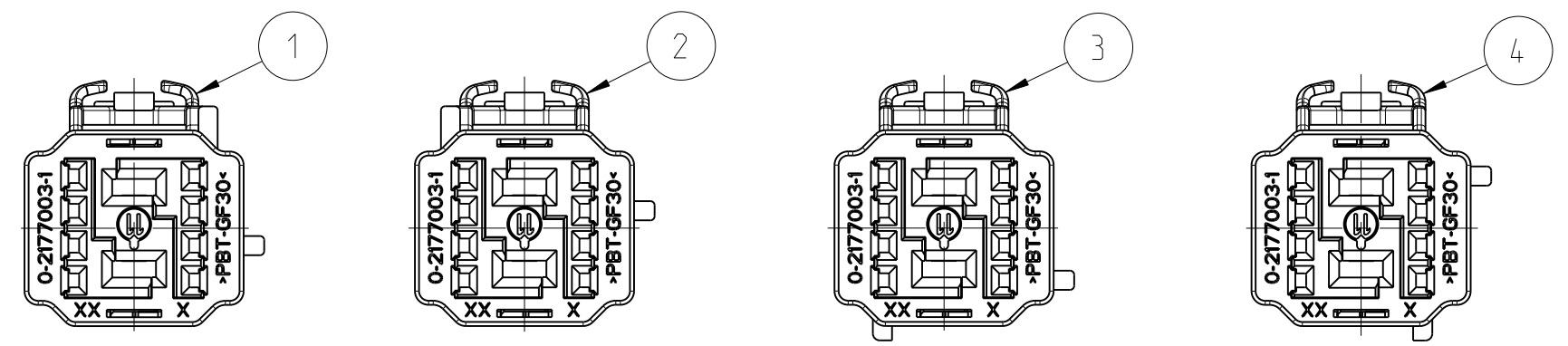
APPLICABLE TERMINALS

DESCRIPTION	PLATING COLOUR	TE CONNECTIVITY COMP. PART NO.	FORD COMP. PART NO.
0.64 GENERATION Y UNSEALED FEMALE TERMINAL (0.13mm ²)	TIN	0-1456574-5	9U5T-14474-YA
0.64 GENERATION Y UNSEALED FEMALE TERMINAL (0.35mm ² -0.50mm ²)	TIN	0-1456574-1	9U5T-14474-DA
0.64 GENERATION Y UNSEALED FEMALE TERMINAL (0.75mm ²)	TIN	0-1456574-2	9U5T-14474-EA
2.8 UNSEALED FEMALE TERMINAL	TIN	FCI PART	XF2T-14474-BA
2.8 UNSEALED FEMALE TERMINAL	TIN	FCI PART	XF2T-14474-CA
2.8 UNSEALED FEMALE TERMINAL	TIN	FCI PART	F8VB-14474-BA
2.8 UNSEALED FEMALE TERMINAL	TIN	FCI PART	F8VB-14474-AA

NOTES:
 Bemerkungen:
 1 DELIVERY CONDITION: SPACER IN PRE-LOCK POSITION
 Auslieferungszustand: Spacer in Vorraststellung
 2 SPACER IN END-LOCK POSITION
 Spacer in Endraststellung

QTY REQD PER ASSY	PART NO	DESCRIPTION	COLOUR	ITEM NO
1x	0-2177003-1	10POS. SPACER	RED SIMILAR RAL3000	5
1x	0-2177619-1	10POS. HYBRID RECEPTACLE HOUSING CODING D	GREEN SIMILAR RAL6018	4
-	0-2177618-1	10POS. HYBRID RECEPTACLE HOUSING CODING C	BLUE SIMILAR RAL5012	3
-	0-2177002-1	10POS. HYBRID RECEPTACLE HOUSING CODING B	GREY SIMILAR RAL7037	2
-	0-2177001-1	10POS. HYBRID RECEPTACLE HOUSING CODING A	BLACK SIMILAR RAL9011	1
0-2177613-1	0-2177612-1	0-2177000-1	0-2141999-1	PART NO
REVISION OF EACH ASSY NO (WHEN BLANK, USE DWG REVISION)				
PARTS LIST				

0-2141999-1 CODING A / BLACK 0-2177000-1 CODING B / GREY 0-2177612-1 CODING C / BLUE 0-2177613-1 CODING D / GREEN



2:1

-1 AS SHOWN wie gezeichnet

THIS DRAWING IS A CONTROLLED DOCUMENT. DWN G.PUCKEL 19APR2011
 CHK K.ROTH 19APR2011
 APVD G.MUMPER 20APR2011

TE Connectivity

NAME 10POS. HYBRID RECEPTACLE HOUSING ASSEMBLY
 8 x GENERATION Y AND 2 x APEX2.8

SIZE A2 CAGE CODE 00779 DRAWING NO C-2141999 RESTRICTED TO

MATERIAL FINISH TOLERANCES UNLESS OTHERWISE SPECIFIED: 0 PLC ±0.30 1 PLC ±0.30 2 PLC ±0.30 3 PLC ± 4 PLC ± ANGLES ±2° WEIGHT APPLICATION SPEC PRODUCT SPEC

CUSTOMER DRAWING SCALE 5:1 SHEET 1 OF 1 REV B