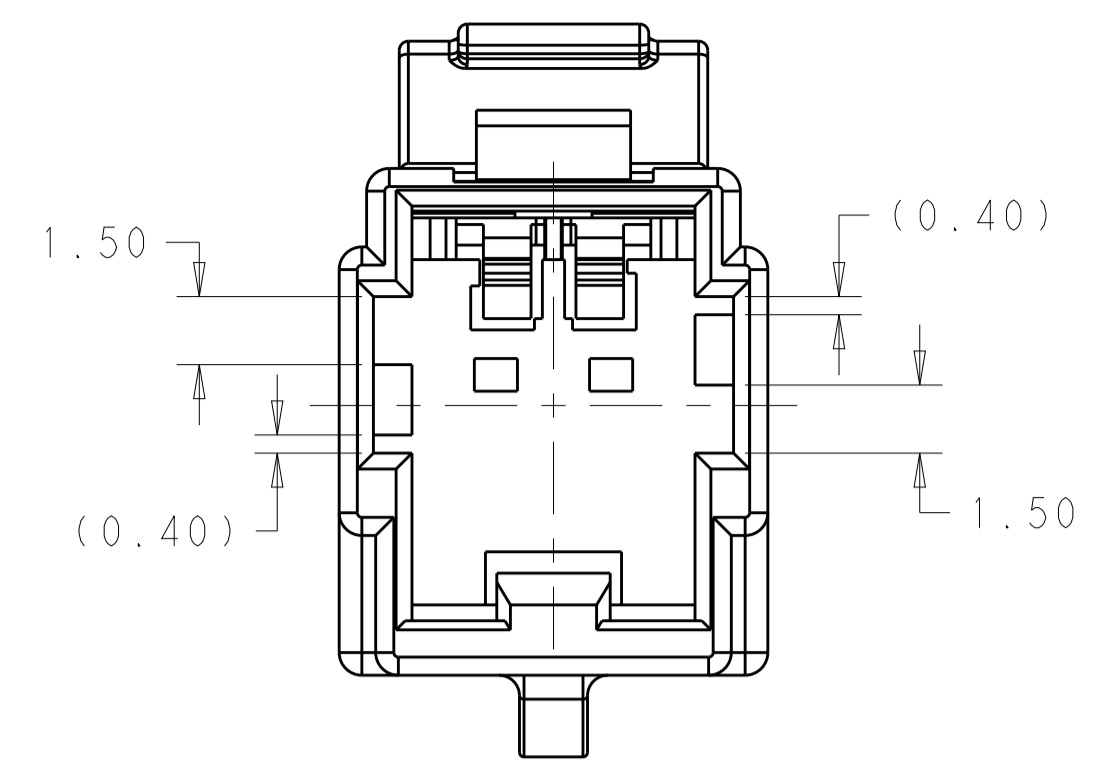
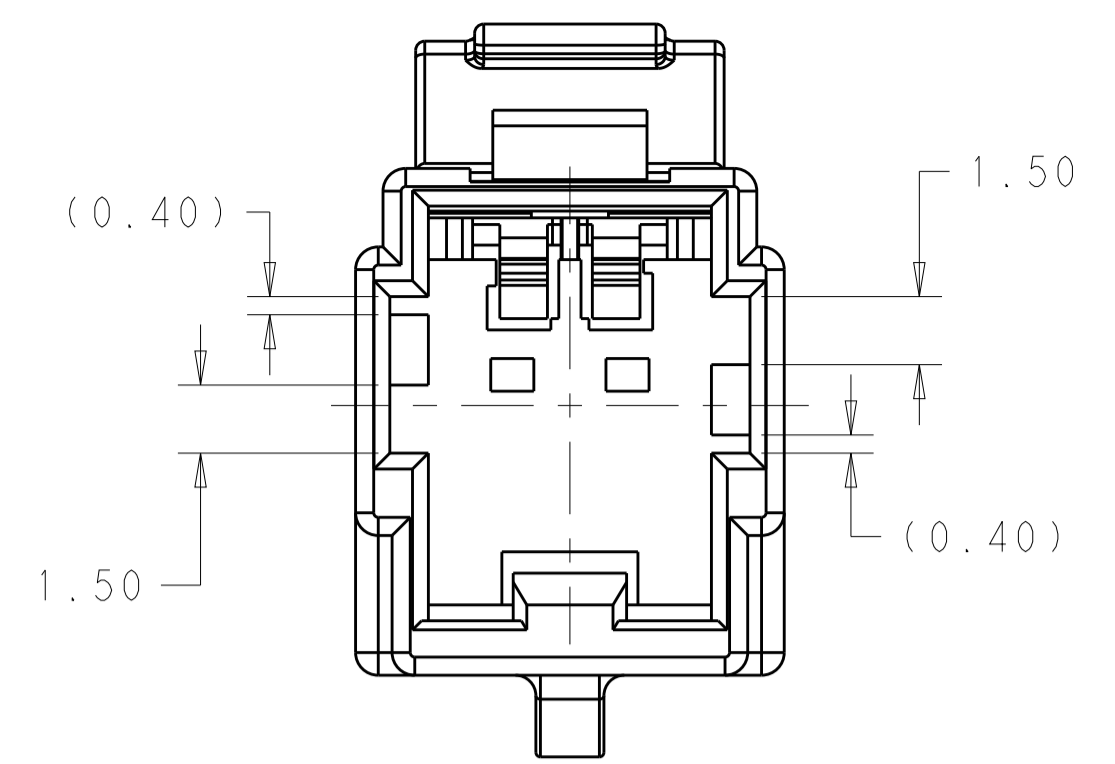


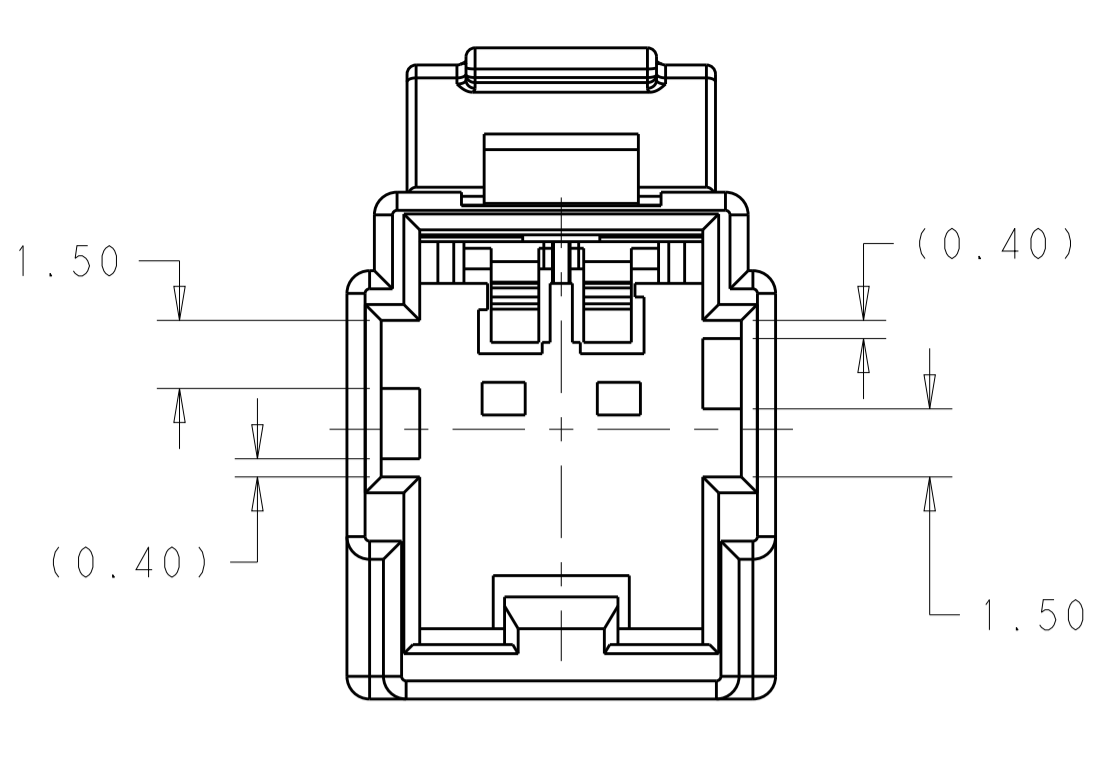
LOC	DIST	REVISIONS					
GE	00	P	LTN	DESCRIPTION	DATE	DWN	APVD
		A		RELEASED PER ECO-13-001134	21JAN2013	MDB	MDB



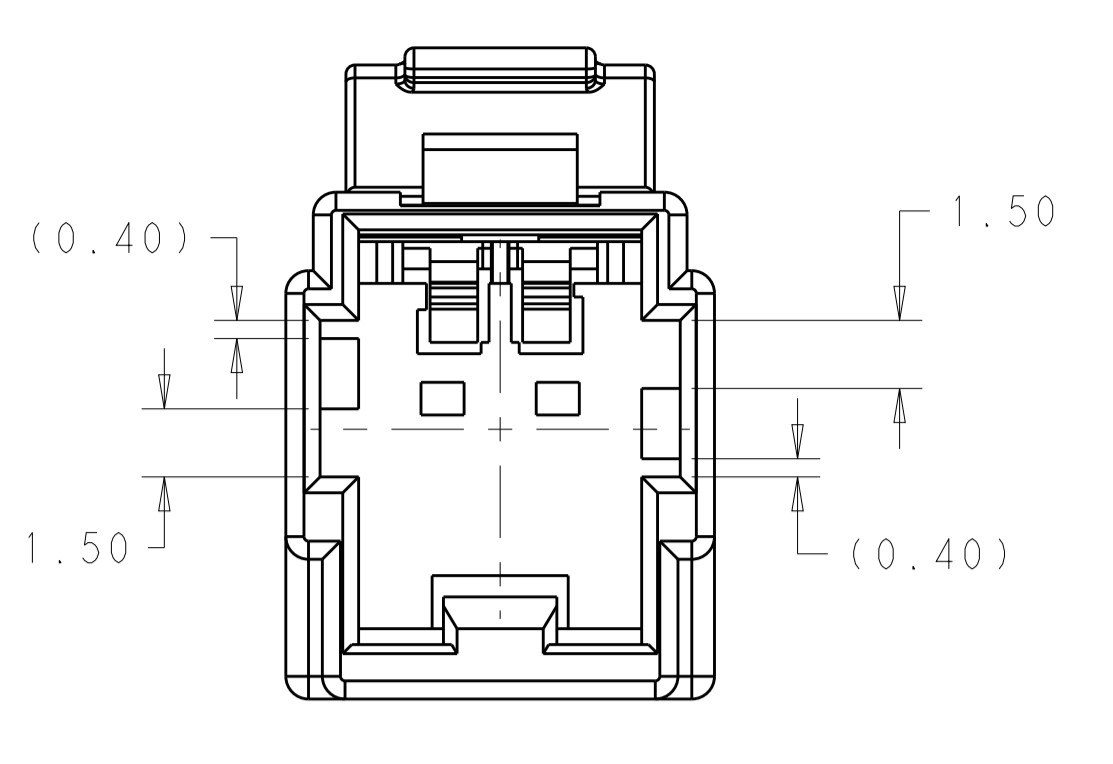
KEYING OPTION A  
 WITH RETAINER CLIP LOCK  
 2138558-1



KEYING OPTION B  
 WITH RETAINER CLIP LOCK  
 2138558-2

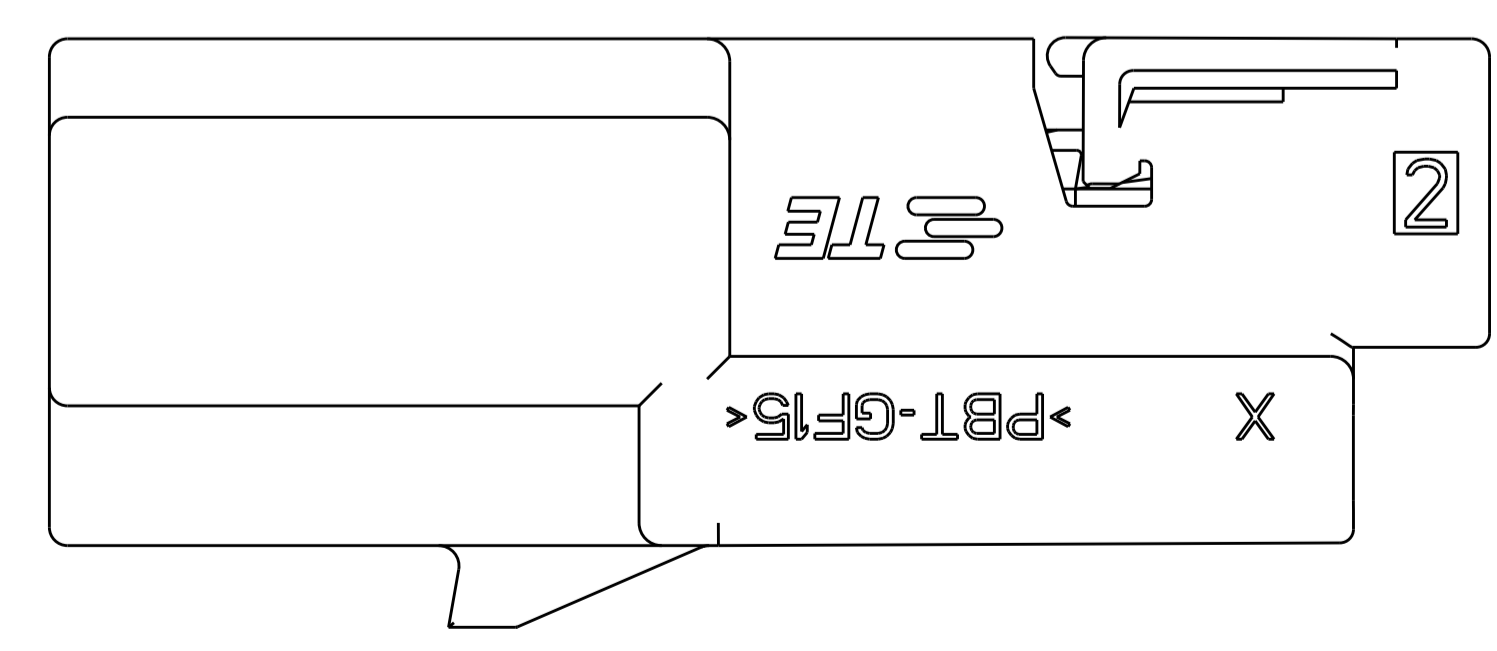
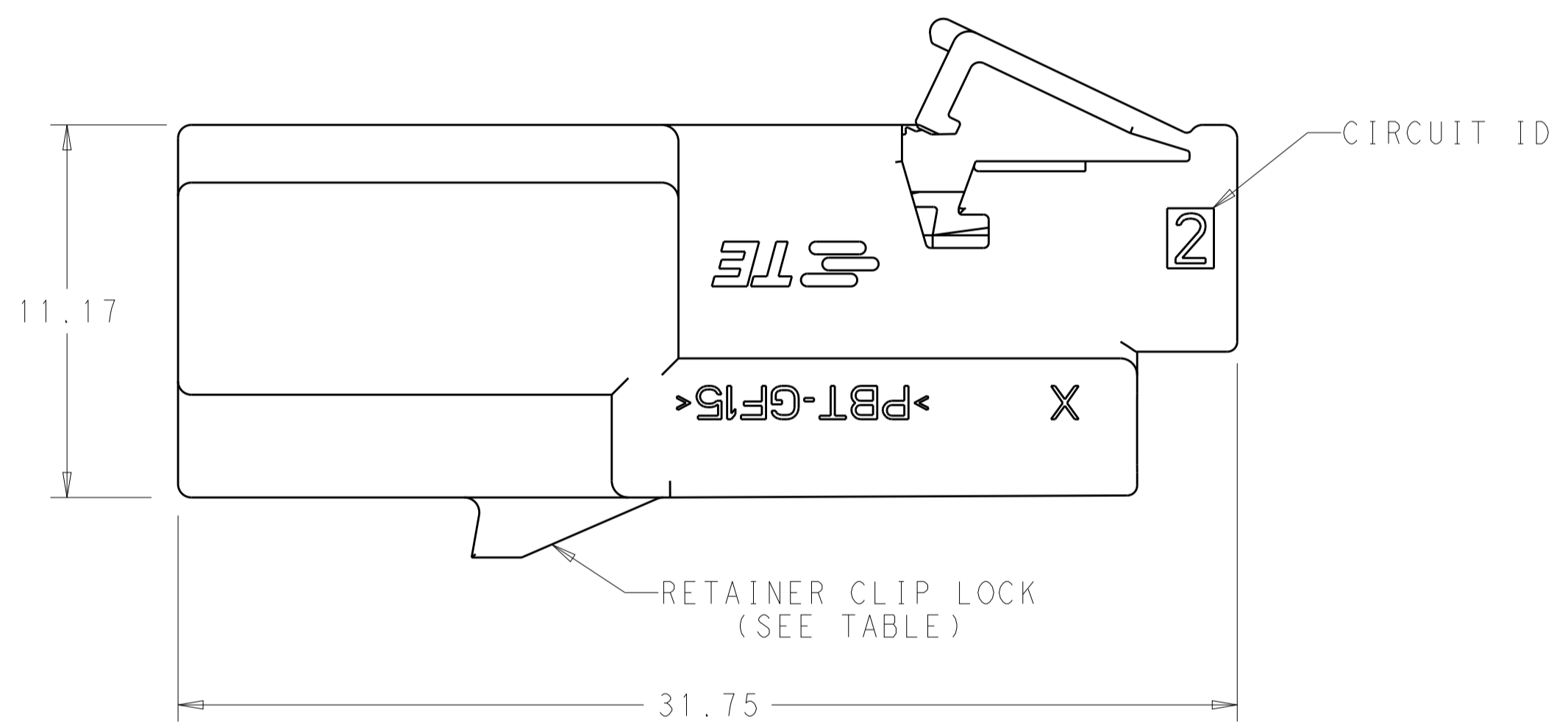
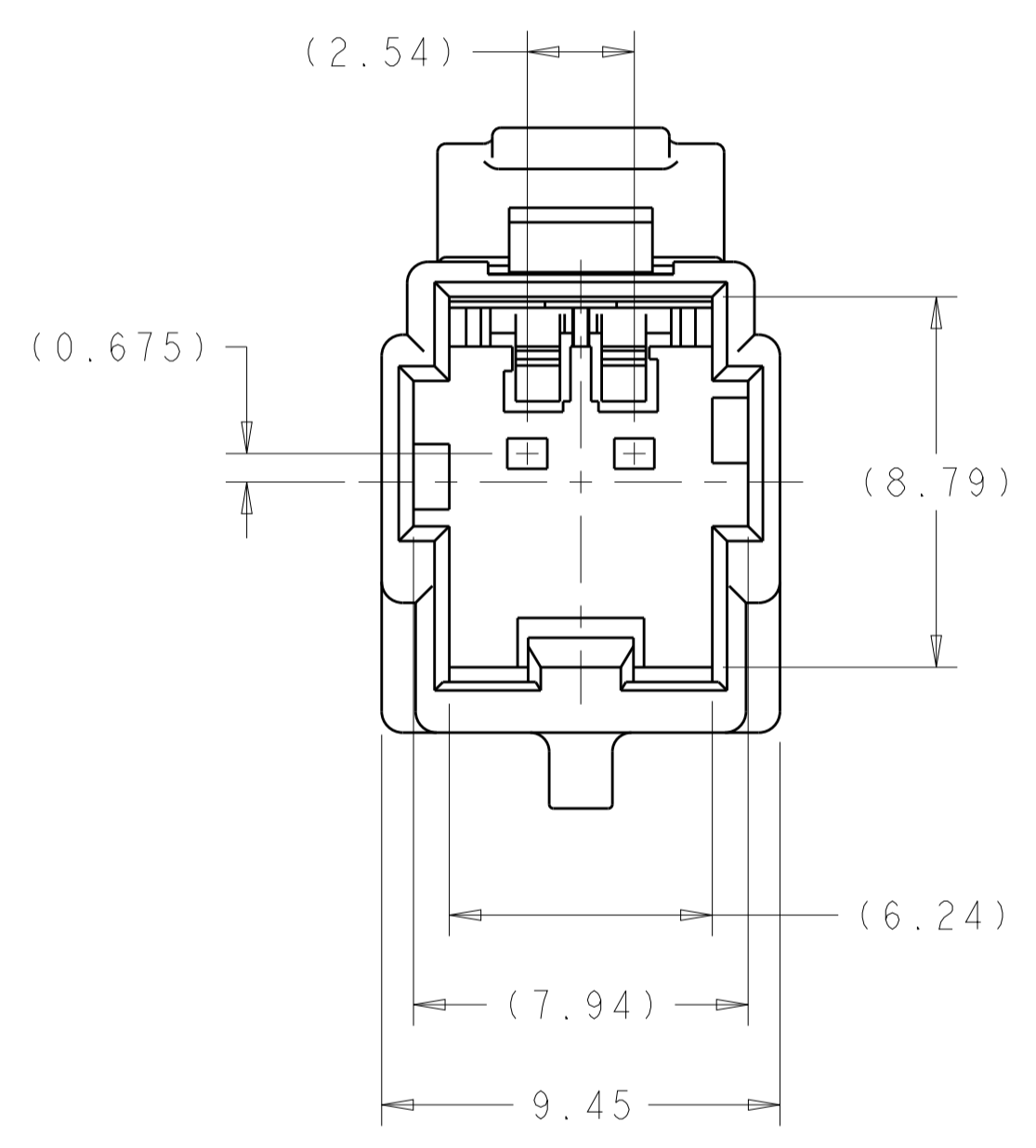


KEYING OPTION A  
 WITHOUT RETAINER CLIP LOCK  
 2138558-3

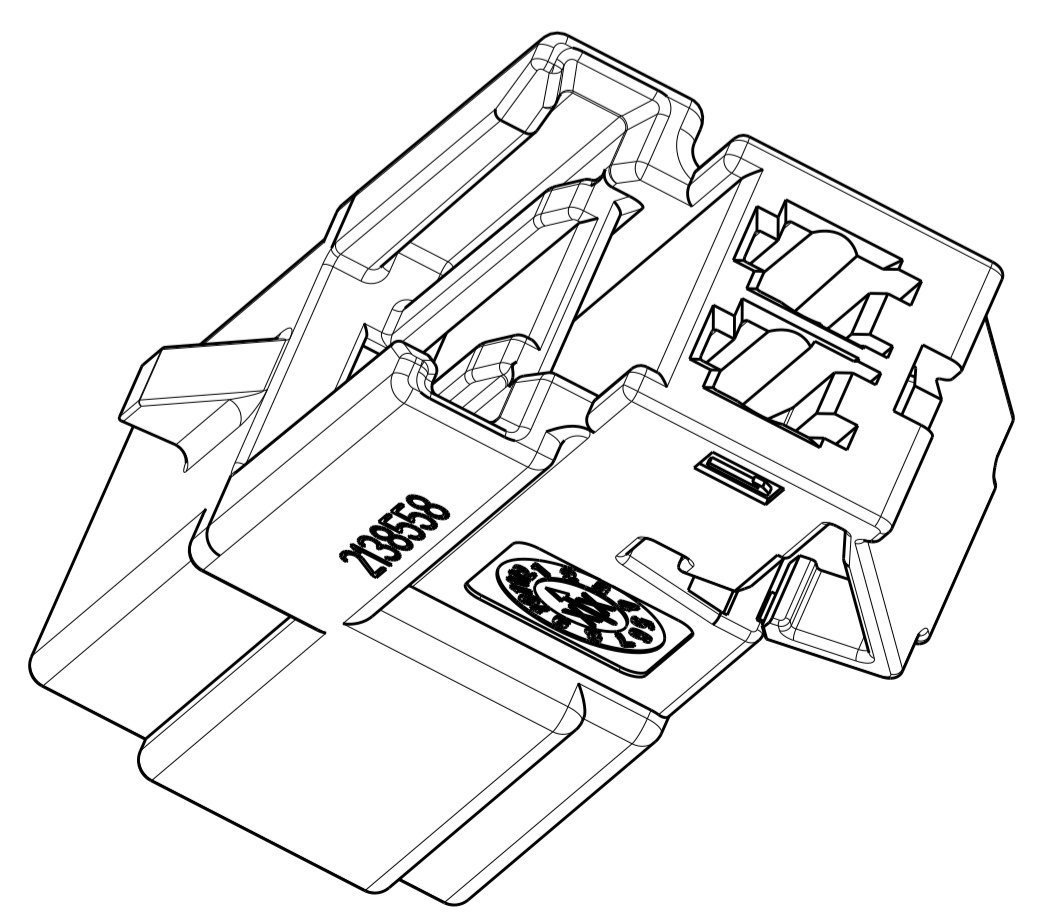


KEYING OPTION B  
 WITHOUT RETAINER CLIP LOCK  
 2138558-4

- △ MATERIAL: PBT, 15% GF.  
 COLOR : SEE TABLE
- CAP MATES WITH PLUG HOUSING 2138557
  - CAP WILL ACCEPT GENERATION Y BLADE CONTACTS.
  - NOTE REMOVED.
  - PRODUCT INCORPORATES CLIP SLOT AND RETAINER CLIP LOCK (2138558-1 AND -2) AS DEFINED BY EWCAP-005-7, REVISION A.
  - FOR HARNESS ASSEMBLY INSTRUCTIONS, SEE TE SPEC 408-32069.



2138558-1 ASSEMBLED VIEW



COLOR	RETAINER CLIP LOCK	KEYING OPTION	PART NUMBER
GRAY	NO	B	2138558-4
BLACK	NO	A	2138558-3
GRAY	YES	B	2138558-2
BLACK	YES	A	2138558-1

2138558-1 AS SHOWN

THIS DRAWING IS A CONTROLLED DOCUMENT.		DWN K. WHITAKER 27MAY2011	NAME CAP HOUSING, 2 POSITION, GENERATION Y
DIMENSIONS: mm		CHK D. BROWN 27MAY2011	
TOLERANCES UNLESS OTHERWISE SPECIFIED:		APVD D. BROWN 27MAY2011	RESTRICTED TO
0 PLC	±	PRODUCT SPEC	
1 PLC	±0.3	APPLICATION SPEC	
2 PLC	±0.10		
3 PLC	±		
4 PLC	±		
ANGLES	±1°		
MATERIAL		WEIGHT	
		Customer Drawing	

TE Connectivity	
SIZE	CAGE CODE DRAWING NO
A1	00779C=2138558
SCALE	SHEET
6:1	1 OF 1
REV	A