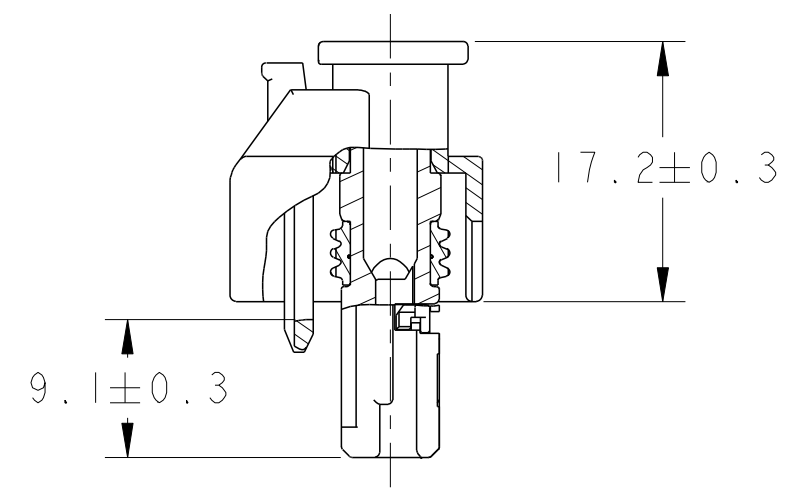
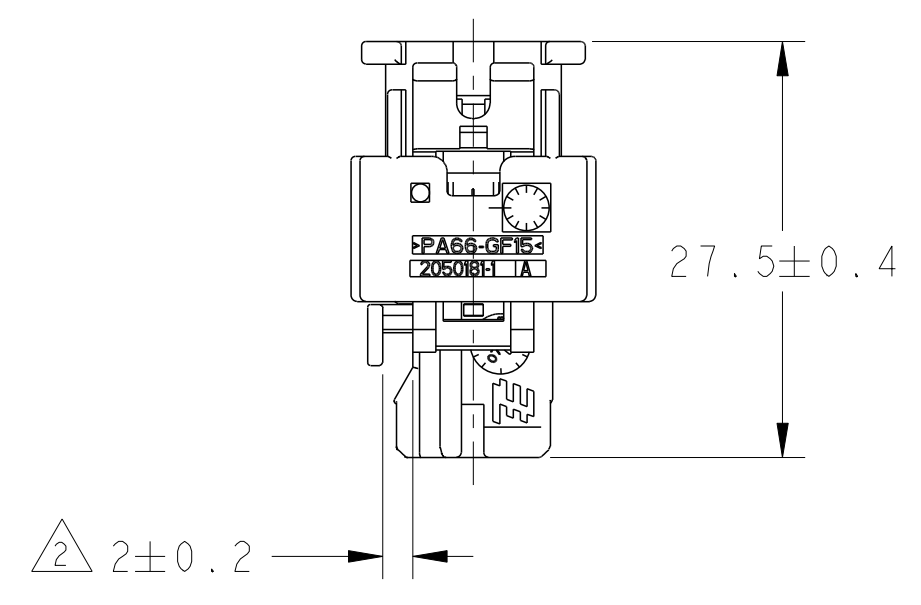
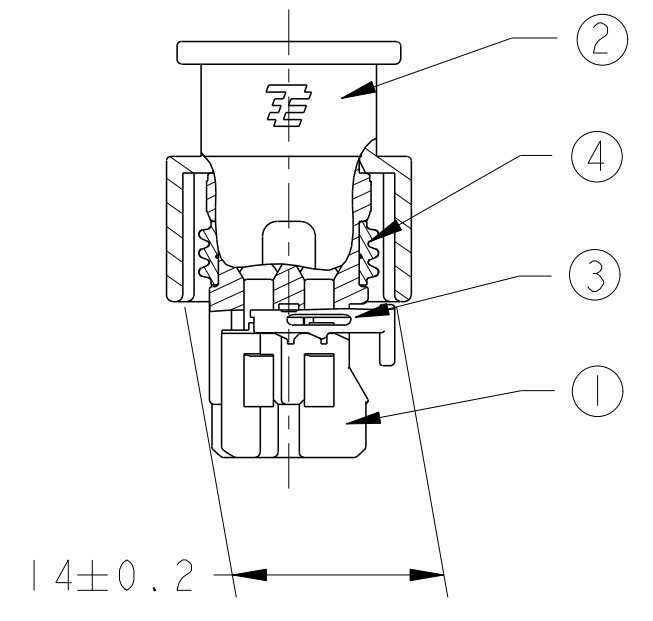


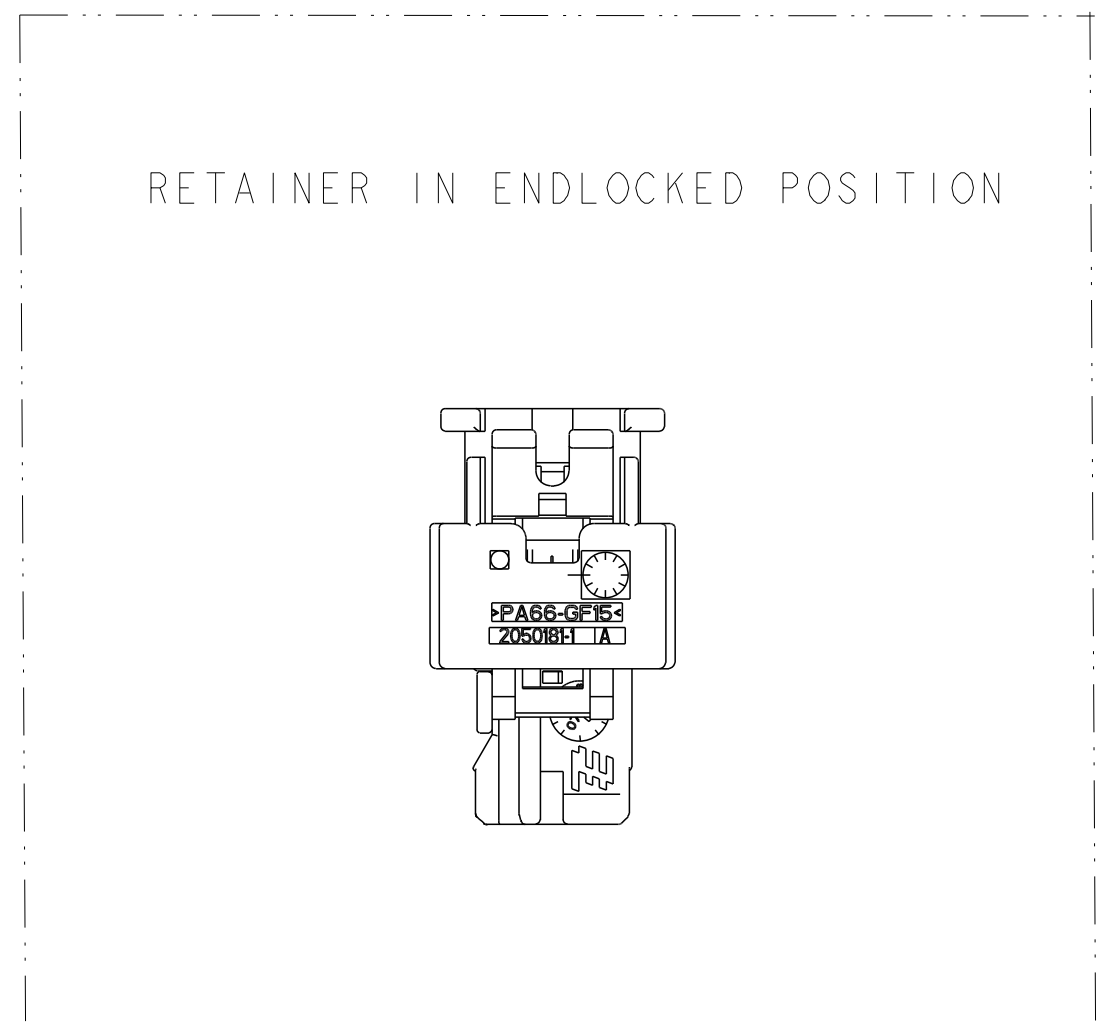
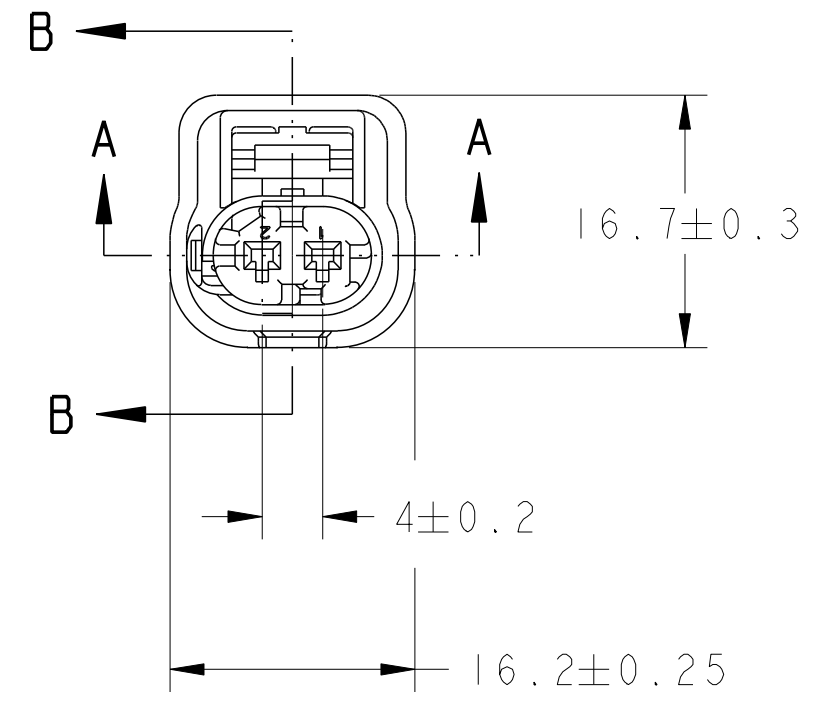
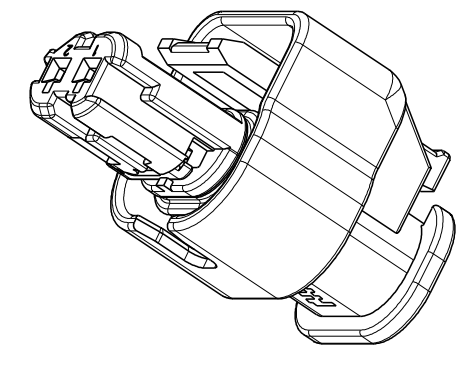
LOC	DIST	REVISIONS			
P	LTR	DESCRIPTION	DATE	DWN	APVD
	A	RELEASE	04AUG08	S.W	K.O
	B	ADD NEW PART NO.	25OCT10	B.P	K.O



SECTION B-B



SECTION A-A



NOTES:

1. SUITABLE FOR CONTACT MCON 1.2  
 SEE TYCO ELECTRONICS NO.: 1452674  
 MAX. WIRE SIZE RANGE 1.0MM<sup>2</sup> FLR PERMITTED.

2. SUPPLY CONDITION: RETAINER IN PRELOCKED POSITION

2050086-2	A	I	RETAINER	PA66-GF15	NATURAL	3
		I	OUTER HOUSING	PA66-GF15	BLACK RAL9011	2
		I	INNER HOUSING	PA66-GF30	BLACK RAL9011	1
2050086-1	A	I	SEAL	SILICONE	ORANGE	4
		I	RETAINER	PA66-GF15	NATURAL	3
		I	OUTER HOUSING	PA66-GF15	BLACK RAL9011	2
I	INNER HOUSING	PA66-GF30	BLACK RAL9011	1		
TE ORDER NO.	REV	QTY	DESCRIPTION	MATERIAL	COLOR	ITEM

DIMENSIONS: mm 		TOLERANCES UNLESS OTHERWISE SPECIFIED: ACC. TO DIN16901-140 0 PLC ±.5 1 PLC ±0.13 2 PLC ±0.13 3 PLC ±0.13 4 PLC ±0.0001 ANGLES ±.0001 FINISH		DWN: SEAN.WANG 04AUG08 CHK: K.O 05AUG08 APVD: K.O 05AUG08		Tyco Electronics Shanghai, China	
MATERIAL: SEE TABLE		PRODUCT SPEC: 108-18969 APPLICATION SPEC: 114-18861		NAME: MCON1.2 2POS. RECEPTACLE HOUSING		SIZE: A2 CAGE CODE: 00779 DRAWING NO: C-2050086	
RESTRICTED CUSTOMER		SCALE: 2:1		SHEET: 1 OF 1		REV: B	