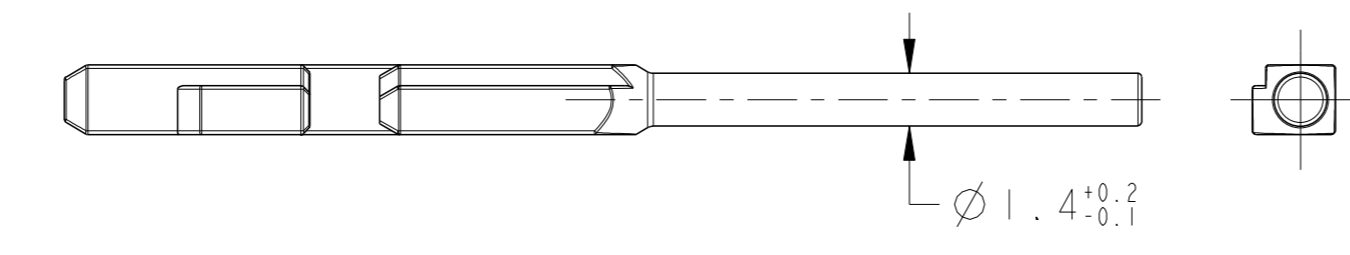
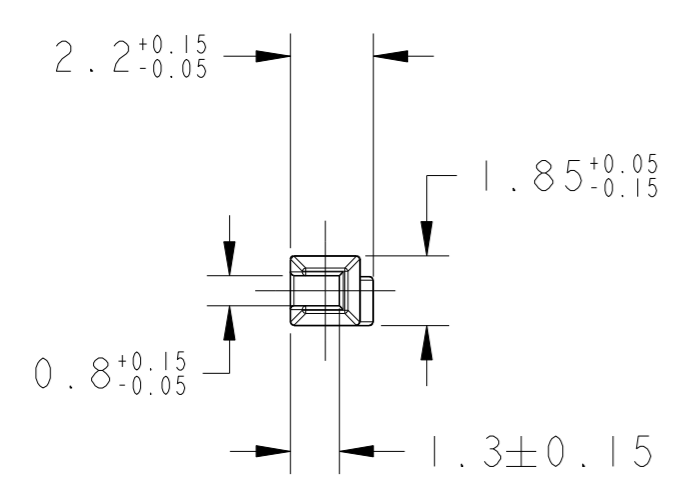
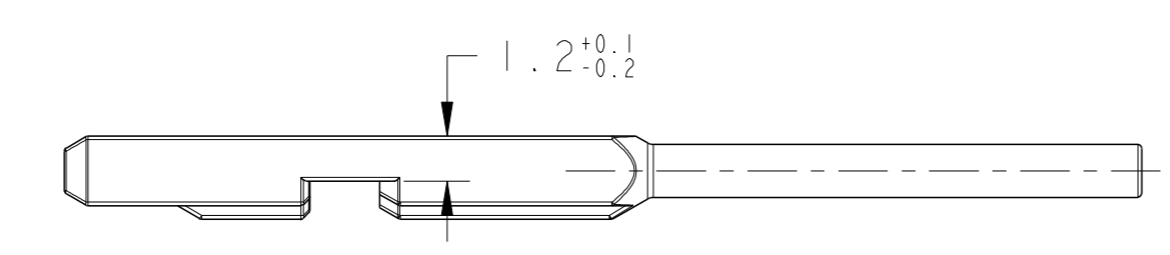
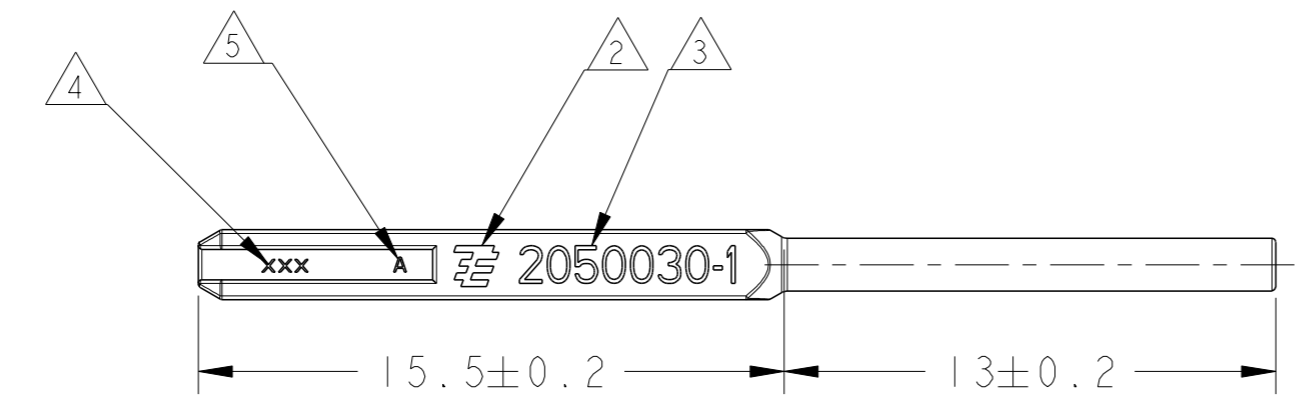


LOC	DIST	REVISIONS			
P	LTR	DESCRIPTION	DATE	DWN	APVD
ES	00	A	RELEASED	05JAN13	JZ WY



NOTE
 1 CHARACTERS ACC. TO DIN 1451-H0.5/1, CHARACTERS 0.1 RECEDE
 2 TE LOGO, ACC. TO TE SPEC 1-15994-2
 3 TE PART NUMBER, EXCHANGEABLE
 4 CAVITY MARKING, RECEDE
 5 RECISION STATUS OF THE MOULD, .A..B.....C ETC..MAX.0.1 RAISED
 6 COLOR: BLACK

- 1 AS SHOWN

THIS DRAWING IS A CONTROLLED DOCUMENT.		DWN J. ZHANG	05JAN13	TE TE Connectivity	
DIMENSIONS: mm		CHK Z. ZHOU	05JAN13		
TOLERANCES UNLESS OTHERWISE SPECIFIED: ACC. TO DIN 16901-120		APVD W. YUAN	05JAN13	NAME MGS-CLEAN-BODY SEALING PLUG	
0 PLC ±		PRODUCT SPEC		SIZE	
1 PLC ±0.5		APPLICATION SPEC		CAGE CODE	DRAWING NO
2 PLC ±0.13		WEIGHT		A200779	C=2050030
3 PLC ±0.013		CUSTOMER DRAWING		SCALE	SHEET 1 OF 1
4 PLC ±0.0001		RESTRICTED TO		5:1	REV A
ANGLES ±1°					
FINISH					
MATERIAL PA66 GF30					