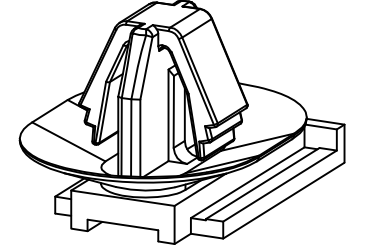
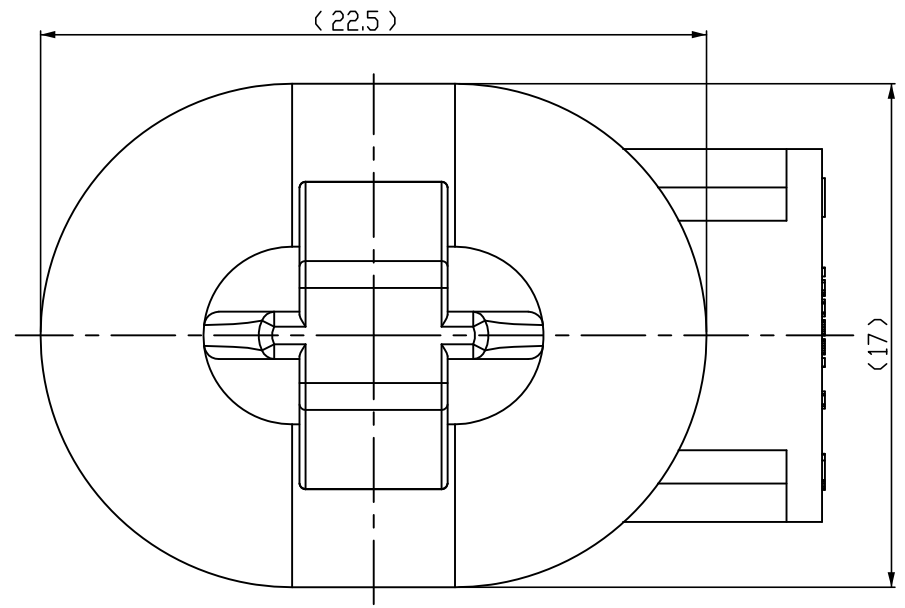
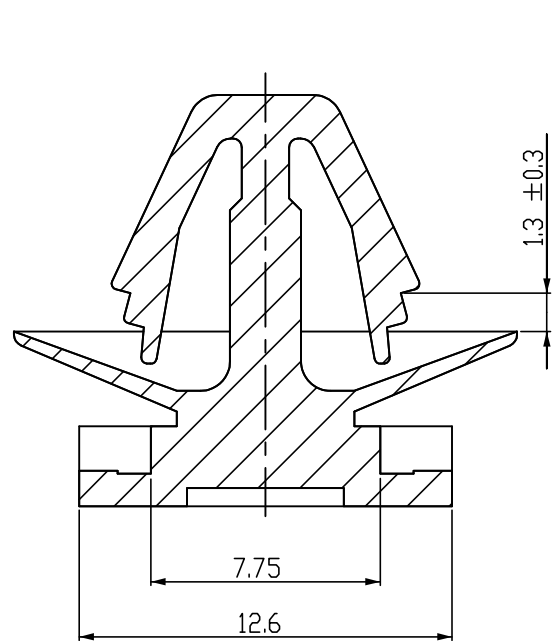


THIS DRAWING IS UNPUBLISHED. RELEASED FOR PUBLICATION 20
 © COPYRIGHT 20 BY TYCO ELECTRONICS CORPORATION. ALL RIGHTS RESERVED.

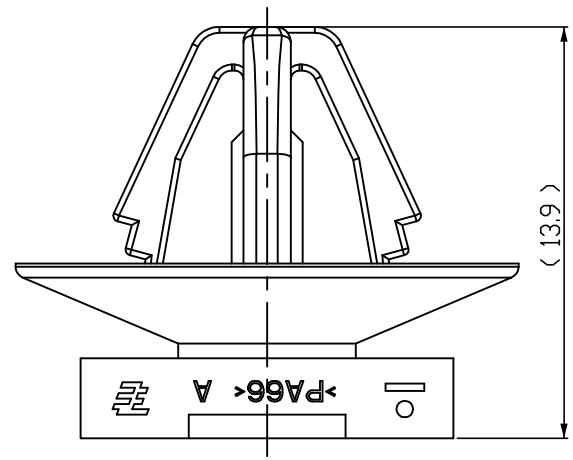
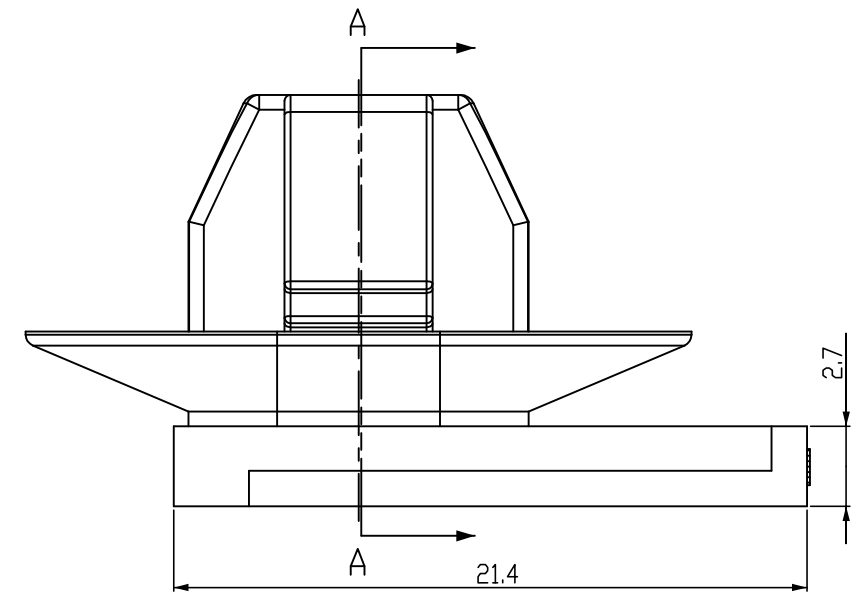
LOC	DIST	REVISIONS			
P	LTR	DESCRIPTION	DATE	DWN	APVD
DS		A	RELEASED	2.MAR.10	YM HG



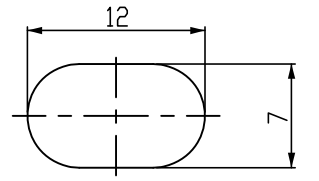
3D VIEW
SCALE 2:1



SECTION A-A



- NOTE
- GENERAL TOLERANCE: ±0.2, ±3°
 - PANNEL HOLE SIZE (T: 0.7 - 2.0mm)



SCALE 2:1

BLACK	PA66	CLIP HSG	2005362-2
COLOR	MATERIAL	DESCRIPTION	P/N

THIS DRAWING IS A CONTROLLED DOCUMENT FOR TYCO ELECTRONICS CORPORATION IT IS SUBJECT TO CHANGE AND THE CONTROLLING ENGINEERING ORGANIZATION SHOULD BE CONTACTED FOR THE LATEST REVISION.		DWN YM LEE CHK JW JUNG APVD HG CHO PRODUCT SPEC - APPLICATION SPEC - WEIGHT -		Tyco Electronics Tyco Electronics Kyungsan, Korea	
DIMENSIONS: mm 		TOLERANCES UNLESS OTHERWISE SPECIFIED: 0 PLC ± 1 PLC ± 2 PLC ± 3 PLC ± 4 PLC ± ANGLES ± FINISH		NAME SLOT CLIP FOR EJ MK-II CONNECTOR	
MATERIAL SEE TABLE		SIZE A3		CAGE CODE 00779	
		DRAWING NO ©=2005362		RESTRICTED TO -	
CUSTOMER DRAWING			SCALE 4:1		SHEET 1 OF 1
					REV A