

4

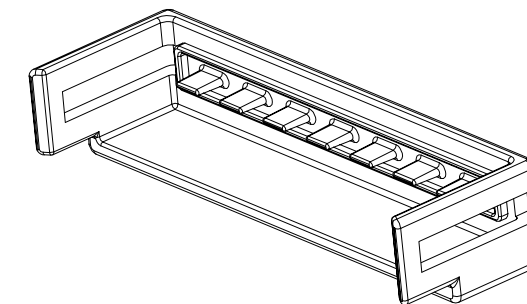
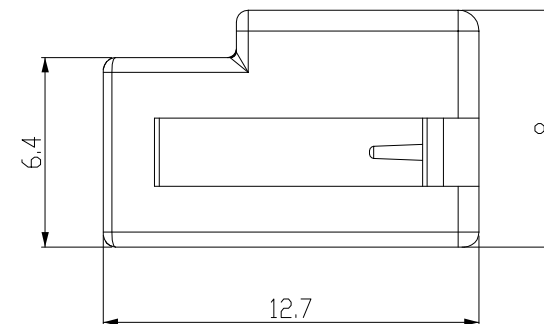
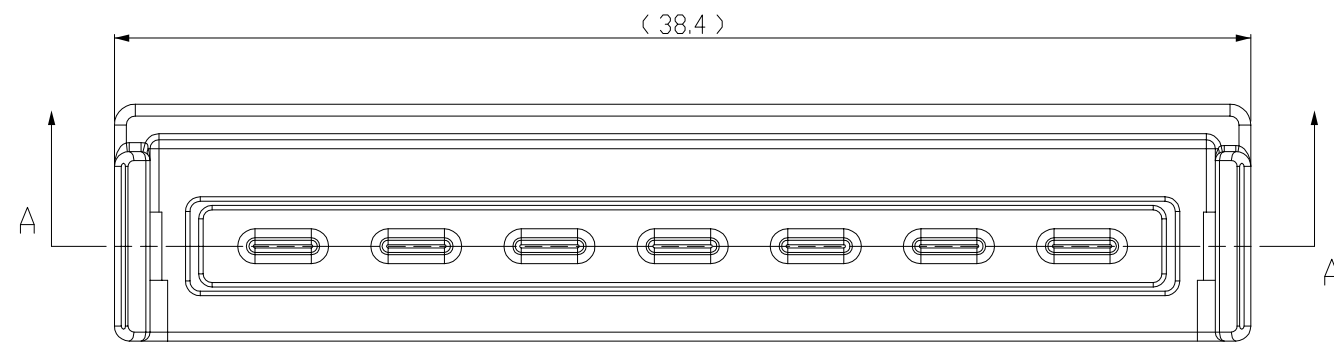
3

2

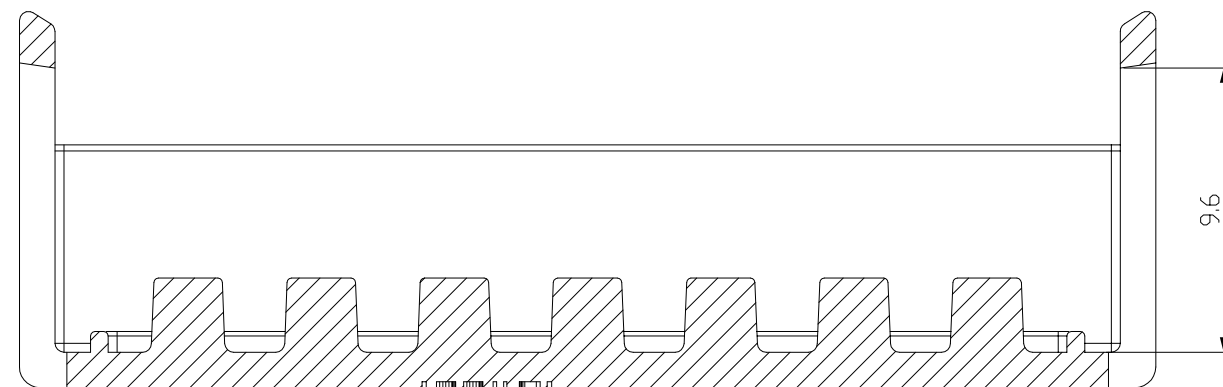
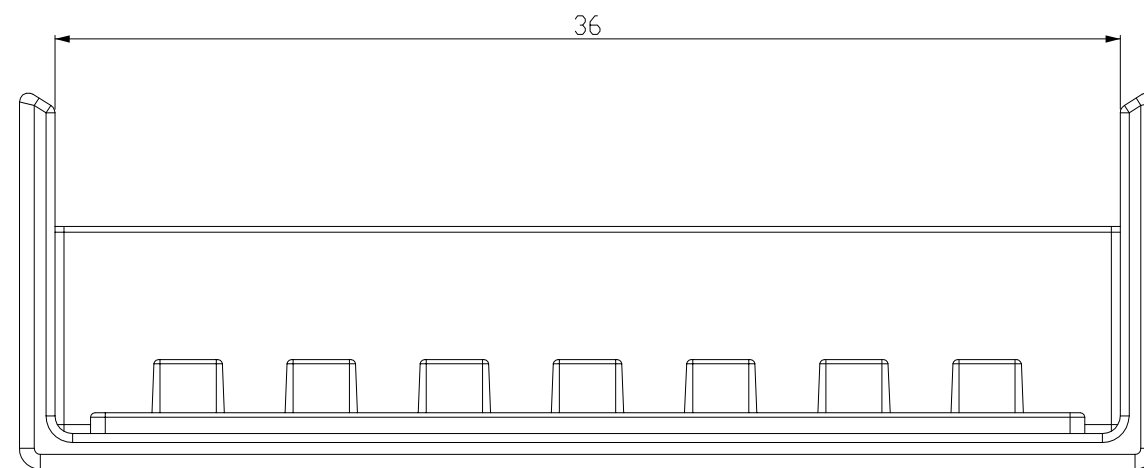
1

THIS DRAWING IS UNPUBLISHED. RELEASED FOR PUBLICATION 2014
 © COPYRIGHT 2010 BY TE CONNECTIVITY ALL RIGHTS RESERVED.

REVISIONS					
P	LTR	DESCRIPTION	DATE	DWN	APVD
	A	RELEASED	11.JUN.'10	KT	HG
	B	REVISED (ECR-14-009134)	18.JUN.'14	JM	HG



3D VIEW
SCALE 2:1




SECTION A-A

NOTES

- 1. GENERAL TOLERANCE: ± 0.3 , $\pm 3^\circ$
- 2. APPLICABLE MATING PART NO: 2005499-X

(B)	YELLOW	PA66	.025 30P COVER (YEL)	2005319-5
	BROWN	PA66	.025 30P COVER (BRN)	2005319-4
	GRAY	PA66	.025 30P COVER (GRY)	2005319-3
	BLACK	PA66	.025 30P COVER (BLK)	2005319-2
	NATURAL	PA66	.025 30P COVER (NAT)	2005319-1
	COLOR	MATERIAL	DESCRIPTION	P/N

THIS DRAWING IS A CONTROLLED DOCUMENT.		DWN JM JEON	 TE Connectivity		
DIMENSIONS: mm		CHK JW JUNG			
TOLERANCES UNLESS OTHERWISE SPECIFIED:		APVD HG CHO	NAME		
0 PLC \pm 1 PLC \pm 2 PLC \pm 3 PLC \pm 4 PLC \pm ANGLES \pm		PRODUCT SPEC -	REAR HOLDER FOR .025 30P JOINT ASSY		
MATERIAL -		FINISH -	APPLICATION SPEC -	SIZE A3	CAGE CODE 00779
			WEIGHT -	DRAWING NO C-2005319	RESTRICTED TO -
			CUSTOMER DRAWING	SCALE 4:1	SHEET 1 OF 1
					REV B