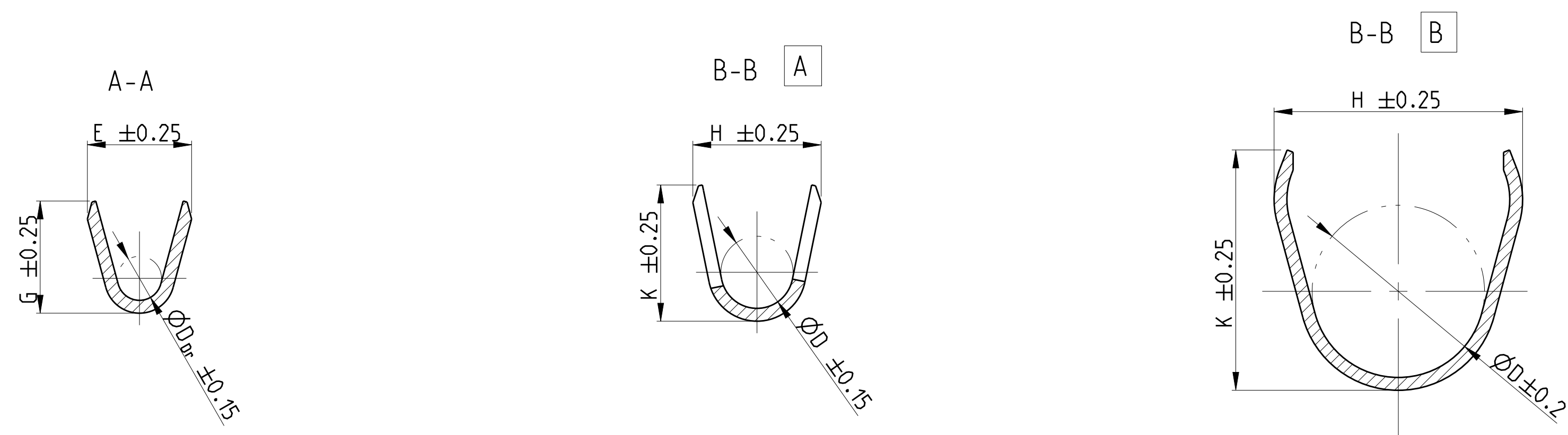


STRIP FORM Bandware

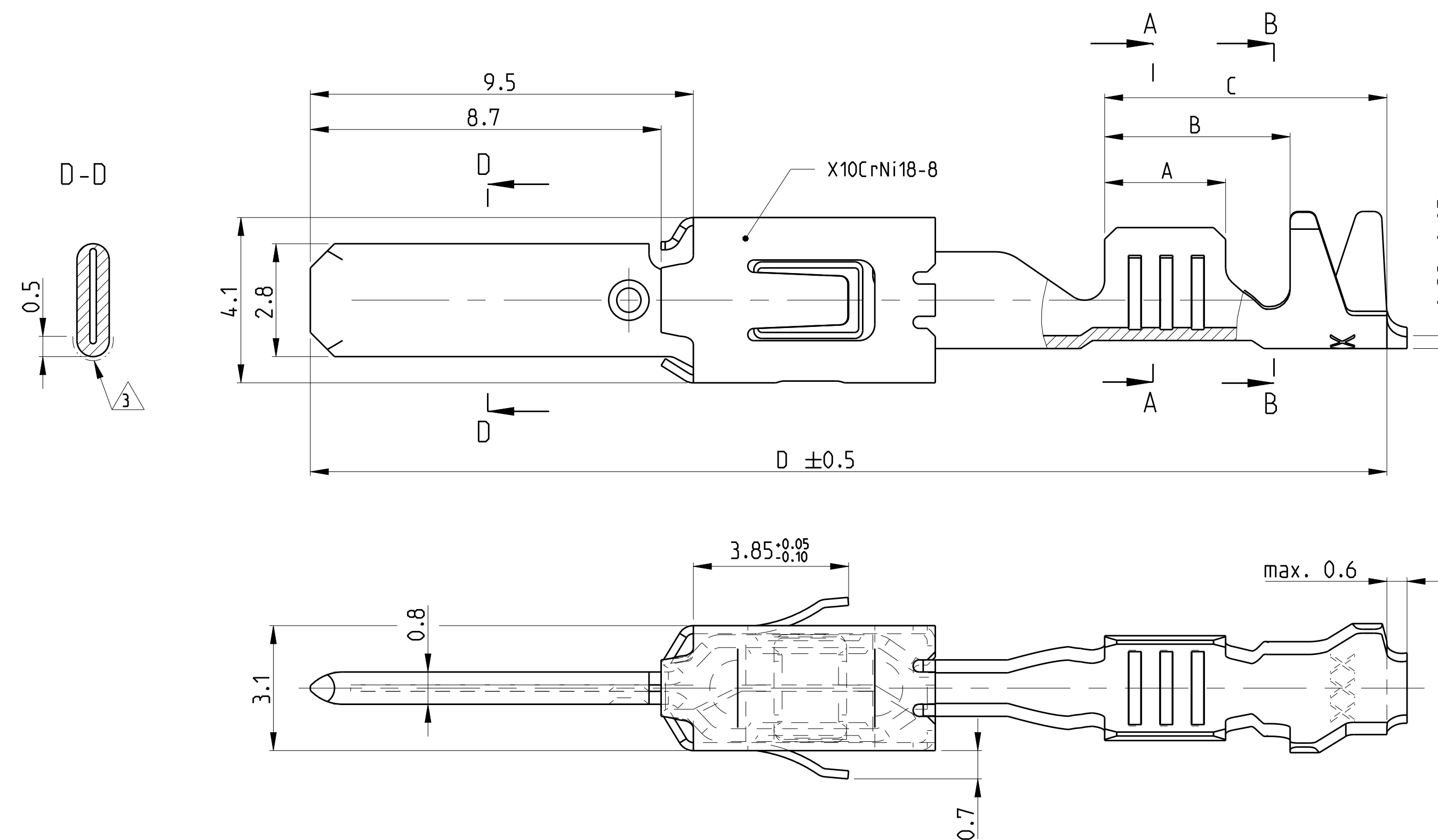


- 1 CONTACT AREA PRE SILVER MIN. 3µm
CANTILEVER SPRING PLAIN
Kontaktzone vorversilbert min. 3µm
Ueberfeder blank
- 2 CONTACT BODY NI-PLATING MIN. 0.5µm; CONTACT AREA PRE-GOLD MIN. 0.6µm
OVER NICKEL; CRIMP AREA PRE-TIN
CANTILEVER SPRING PLAIN
Kontaktkoerper vernickelt min. 0.5µm; Kontaktzone vorvergoldet min. 0.6µm ueber Nickel
Crimpzone vorverzinkt; Ueberfeder blank
- 3 IN THIS AREA CRACK SHAPING AT THE SURFACE PERMISSIBLE
In diesem Bereich Rissbildung in der Oberflaeche zulassig
- 4 PRE-TIN MIN. 1µm; CANTILEVER SPRING PLAIN
vorverzinkt min. 1µm; Ueberfeder blank

- 5 AWG 12 TXL 828905-1 OR / oder 282536-1
AWG 12 GXL 638865-1
- 6 ATTENTION! CONSTRUCTION OF THE CONTACT CAVITY IN THE AREA OF THE SINGLE WIRE SEAL IS $\phi 6.4^{+0.1}_{-0.05}$
Achtung! Die Kammer ist im Bereich der Einzeldichtung auf $\phi 6.4^{+0.1}_{-0.05}$ auszuliegen
- 7 PUNCHED WITH VOLATILIZING STAMPING-OIL
Gestanz mit verfluechtigendem Stanzoeel

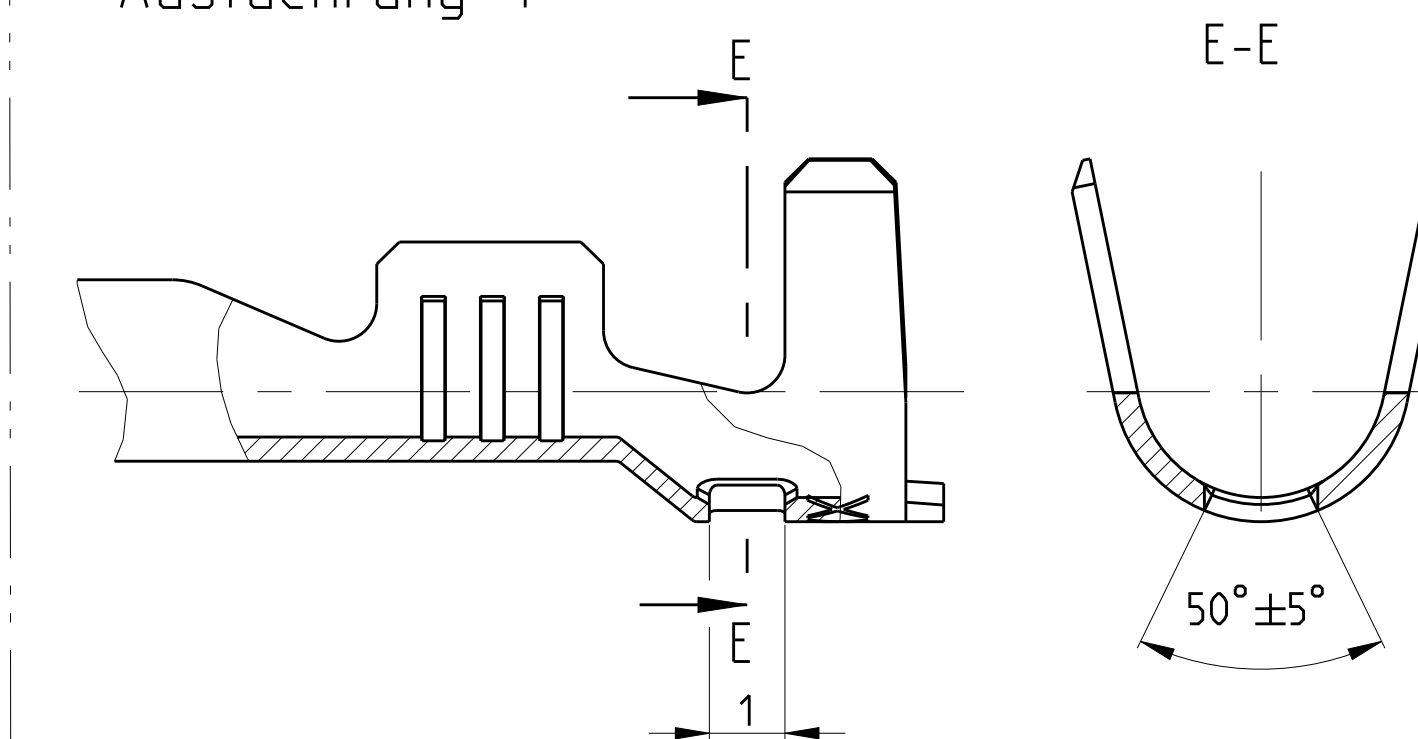
FLR-/FLK-WIRE FLR-/FLK-Leitung

DESIGN 1 Ausfuehrung 1

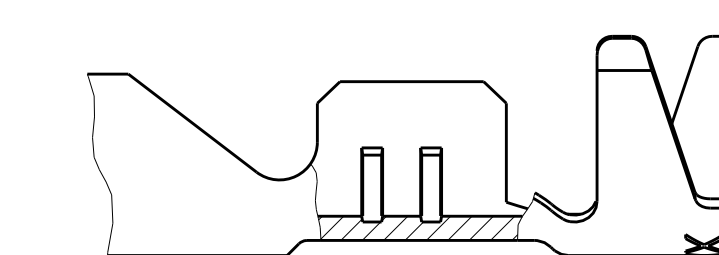


SINGLE WIRE SEAL Einzeldichtungssystem

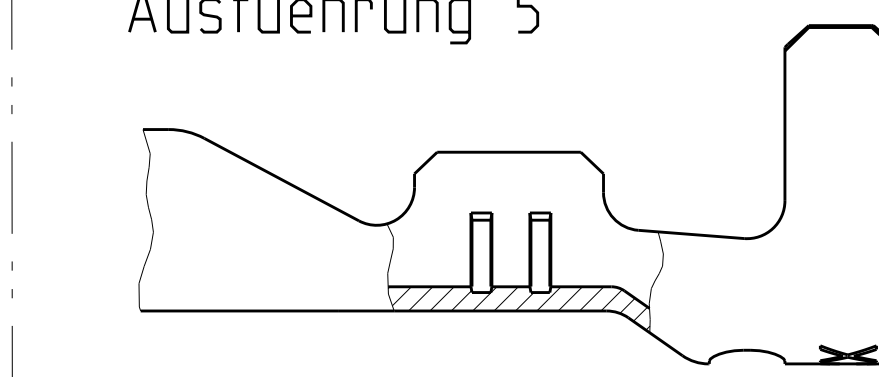
DESIGN 4 Ausfuehrung 4



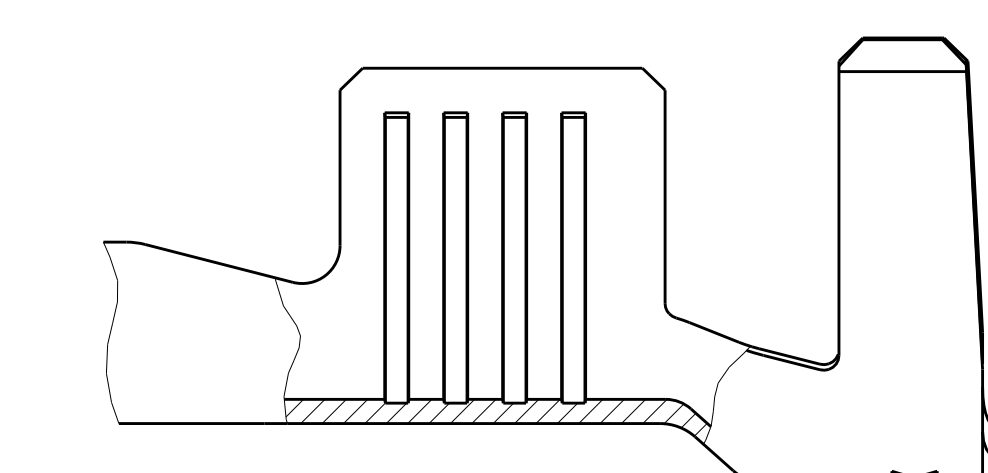
DESIGN 2 Ausfuehrung 2



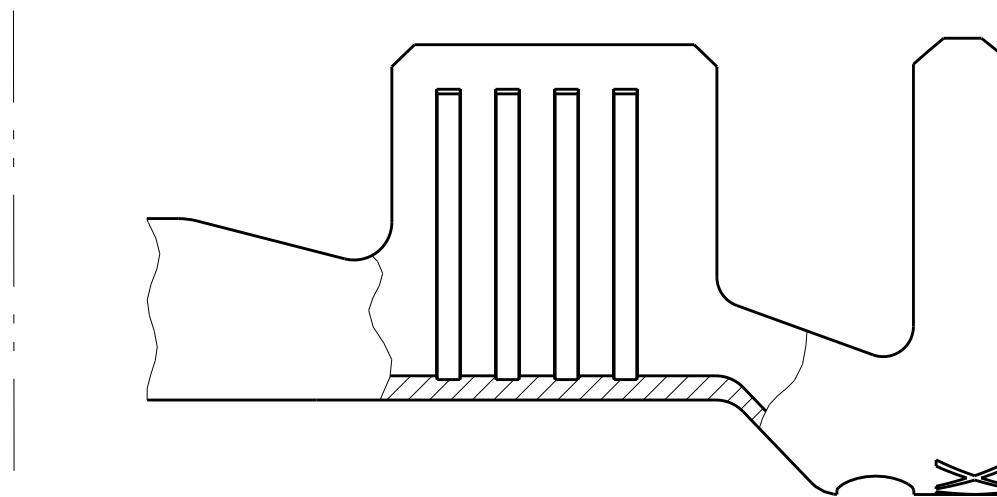
DESIGN 5 Ausfuehrung 5



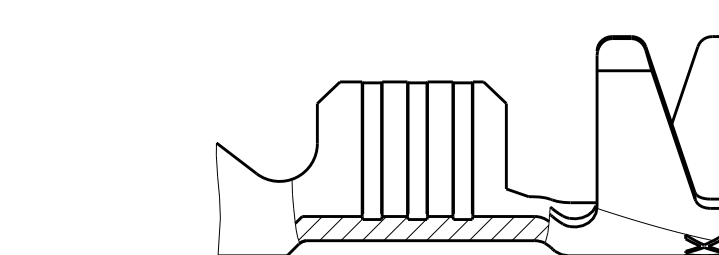
DESIGN 3 Ausfuehrung 3



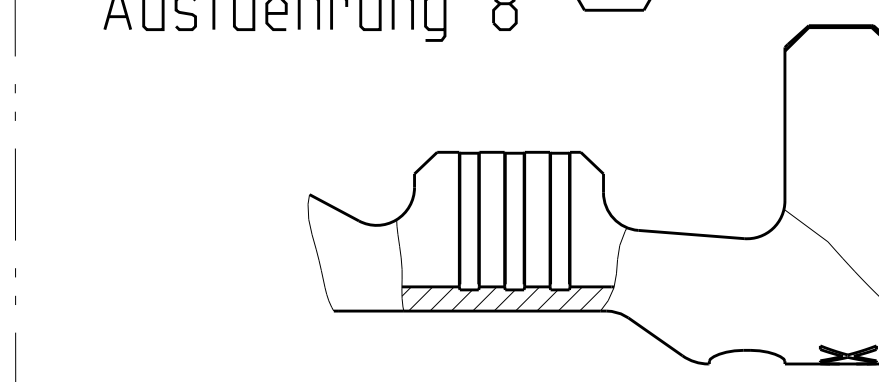
DESIGN 6 Ausfuehrung 6



DESIGN 7 Ausfuehrung 7



DESIGN 8 Ausfuehrung 8



TE ORDER-NO.	DESIGN REV	MATERIAL	SURFACE	DGB	INSULATION	STRIP FORM		APPLICATION TOOL	HAND TOOL	TE ORDER-NO.	TE ORDER-NO.	A	B	C	D	
						WIRE CRIMP	INSUL. CRIMP									INSULATION
1-1719504-2	A	4	CuSn4	△	12 AWG	max. 3.0	E = 4.0 G = 4.2 D _{Dr} = 2.0	A H = 5.3 K = 5.0 D = 3.6	1852291-3	-	3.5	6.0	7.6	26.8	△	828922-1
1-1719504-1	A	4	CuSn0.20	△	FLR	max. 3.7	E = 4.5 G = 4.7 D _{Dr} = 2.3	B H = 6.2 K = 6.0 D = 4.3	MQC APPLICATOR	539635-1	4.3	6.9	8.5	28.5	828985	828986-1
3-968947-1	A	6	CuFe	△					2-541537-2	MATRIZE :						539727-2
2-968947-2	A	6	CuFe	△	FLR	max. 3.0	E = 3.6 G = 3.8 D _{Dr} = 1.7	A H = 5.3 K = 5.0 D = 3.6	MQC APPLICATOR	734440-1	3.5	6.0	7.6	26.8	828905	(Ø5.0)
1-968947-2	A	6	CuSn4	△					2-878560-2	734440-1						828905
1-968947-1	A	6	CuSn4	△	FLR	max. 2.1	E = 2.6 G = 2.9 D _{Dr} = 1.2	A H = 5.0 K = 4.8 D = 3.3	MQC APPLICATOR	734438-1	3.0	5.4	7.0	26.8	828904	(Ø5.0)
2-962916-3	E	4	CuFe	△					2-878559-2	734438-1						828904
2-962916-2	E	4	CuFe	△	FLR	max. 2.1	E = 2.1 G = 2.1 D _{Dr} = 0.8	A H = 4.7 K = 4.5 D = 3.2	MQC APPLICATOR	539635-1	2.5	4.9	6.5	26.8	828904	(Ø5.0)
1-962916-3	E	4	CuSn4	△					2-878558-2	539737-2						828904
1-962916-2	E	4	CuSn4	△	FLR	max. 2.1	E = 4.5 G = 4.7 D _{Dr} = 2.3	A H = 5.7 K = 5.9 D = 3.3	MQC APPLICATOR	539635-1	4.3	6.6	8.5	28.5	828985	828986-1
1-962916-1	E	4	CuFe	△					2-541534-2	MATRIZE :						539723-2
2-962843-3	C	1	CuFe	△	FLK	2.4 - 3.7	E = 3.6 G = 3.8 D _{Dr} = 1.7	A H = 5.5 K = 5.7 D = 3.2	MQC APPLICATOR	734417-3	3.6	5.2	8.9	28.6	828905	(Ø5.0)
2-962843-2	C	1	CuSn4	△					2-878552-2	734417-3						828905
2-962843-1	C	1	CuFe	△	FLR	2.1 - 2.9	E = 3.6 G = 3.8 D _{Dr} = 1.7	A H = 4.3 K = 4.5 D = 2.6	MQC APPLICATOR	734417-2	3.6	5.2	8.2	27.9	828905	(Ø5.0)
1-962843-3	C	1	CuSn4	△					2-878551-2	734417-2						828905
1-962843-2	C	1	CuFe	△	FLR	max. 2.1	E = 2.6 G = 2.8 D _{Dr} = 1.1	A H = 3.2 K = 3.4 D = 1.8	MQC APPLICATOR	734417-1	3.0	4.6	7.0	26.7	828904	(Ø5.0)
2-962842-3	E	1	CuFe	△					2-878550-2	734417-1						828904
2-962842-2	F	1	CuFe	△	FLR	1.4 - 2.1	E = 2.6 G = 2.8 D _{Dr} = 1.1	A H = 3.2 K = 3.4 D = 1.8	MQC APPLICATOR	734417-1	3.0	4.6	7.0	26.7	828904	(Ø5.0)
2-962842-1	E	1	CuSn4	△					2-878550-2	734417-1						828904
2-962841-3	F	1	CuFe	△	FLR	1.3 - 1.6	E = 2.1 G = 2.1 D _{Dr} = 0.8	A H = 2.9 K = 2.9 D = 1.4	MQC APPLICATOR	734538-1	2.5	3.7	5.8	25.5	828904	(Ø5.0)
2-962841-2	F	1	CuSn4	△					2-878549-2	734538-1						828904
2-963860-3	B	2	CuFe	△	FLR	max. 2.1	E = 2.1 G = 2.1 D _{Dr} = 0.8	A H = 2.9 K = 2.9 D = 1.4	MQC APPLICATOR	734538-1	2.5	3.7	5.8	25.5	828904	(Ø5.0)
2-963860-2	B	2	CuSn4	△					2-878549-2	734538-1						828904
2-963860-1	B	2	CuSn4	△	FLR	max. 2.1	E = 2.1 G = 2.1 D _{Dr} = 0.8	A H = 2.9 K = 2.9 D = 1.4	MQC APPLICATOR	734538-1	2.5	3.7	5.8	25.5	828904	(Ø5.0)
5-963860-2	A	7	CuSn4	△					2-878549-2	734538-1						828904
5-963860-1	A	7	CuSn4	△	FLR	max. 2.1	E = 2.1 G = 2.1 D _{Dr} = 0.8	A H = 2.9 K = 2.9 D = 1.4	MQC APPLICATOR	734538-1	2.5	3.7	5.8	25.5	828904	(Ø5.0)
1-963860-3	B	2	CuSn4	△					2-878549-2	734538-1						828904
1-963860-2	B	2	CuSn4	△	FLR	max. 2.1	E = 2.1 G = 2.1 D _{Dr} = 0.8	A H = 2.9 K = 2.9 D = 1.4	MQC APPLICATOR	734538-1	2.5	3.7	5.8	25.5	828904	(Ø5.0)
1-963860-1	B	2	CuSn4	△					2-878549-2	734538-1						828904

THIS DRAWING IS A CONTROLLED DOCUMENT. DATE: 14 JUN 1999. BY: K. Gerlach. CH: M. Bleicher. APPROVED: [Signature]

PRODUCT GROUP DRAWING FOR TAB 2.8x0.8
Produktgruppenzeichnung fuer Flachstecker 2.8x0.8

SCALE: 10:1. SHEET: 1 OF 1. REV: A18