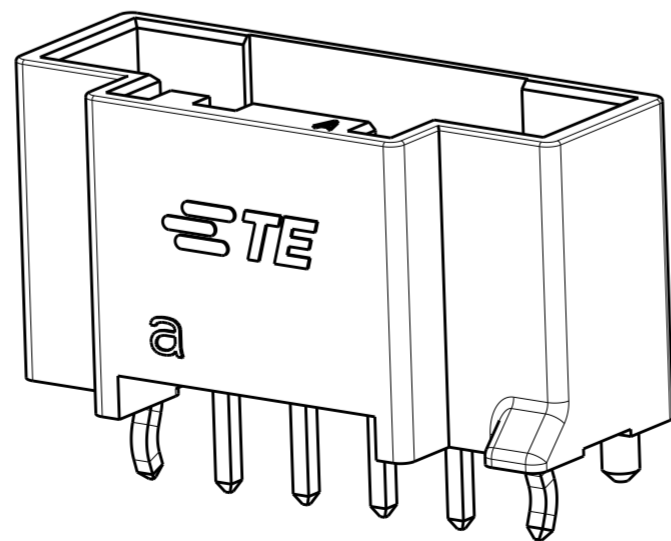
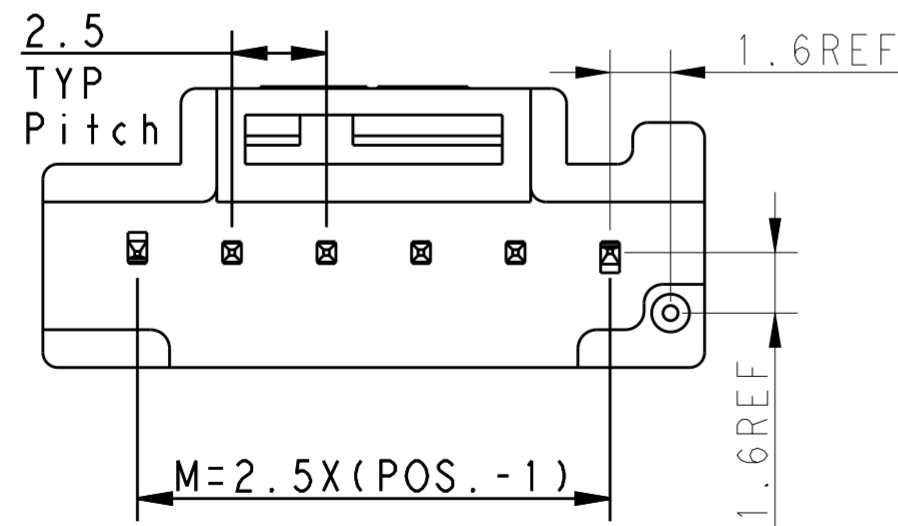
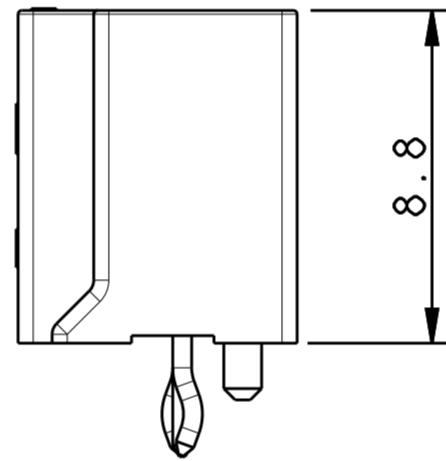
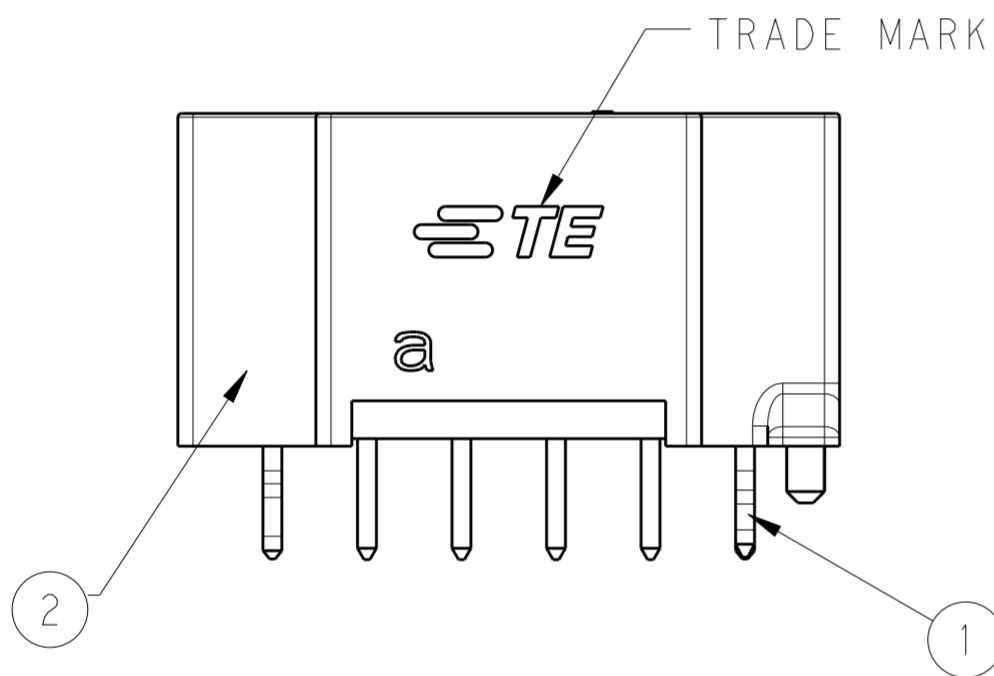
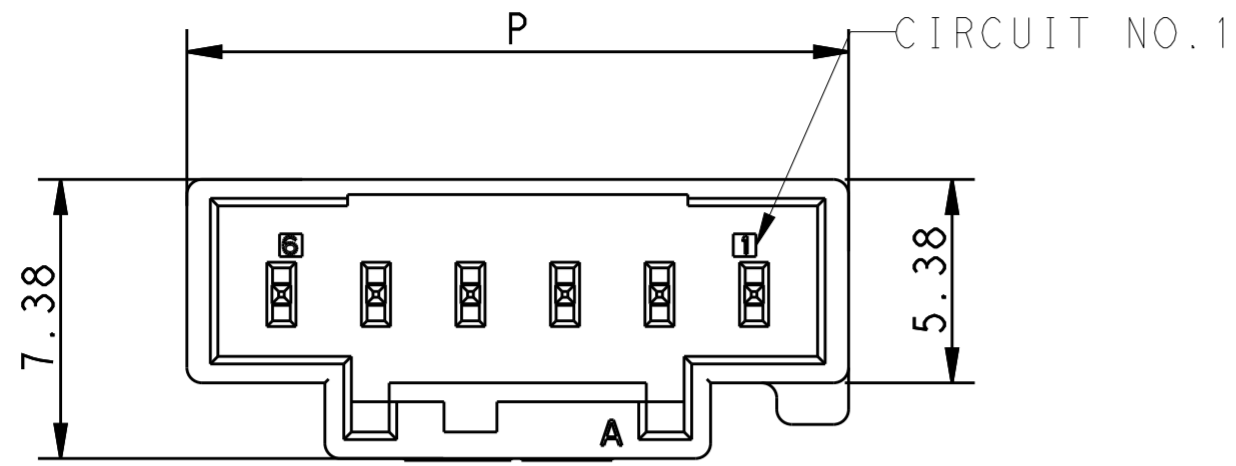


THIS DRAWING IS UNPUBLISHED. RELEASED FOR PUBLICATION
 © COPYRIGHT BY - TE CONNECTIVITY ALL RIGHTS RESERVED.

| LOC | | DIST | | REVISIONS | | | |
|-----|-----|-------------------|-----------|-----------|------|--|--|
| P | LTR | DESCRIPTION | DATE | DWN | APVD | | |
| B | | ADD 4P/7P PRODUCT | 28MAY2013 | H.J.Z | YH.M | | |
| C | | ECR-13-015990 | 17OCT2013 | H.J.Z | YH.M | | |
| D | | ECR-14-002989 | 28FEB2014 | M.T | D.Z | | |

6Pos header housing assembly

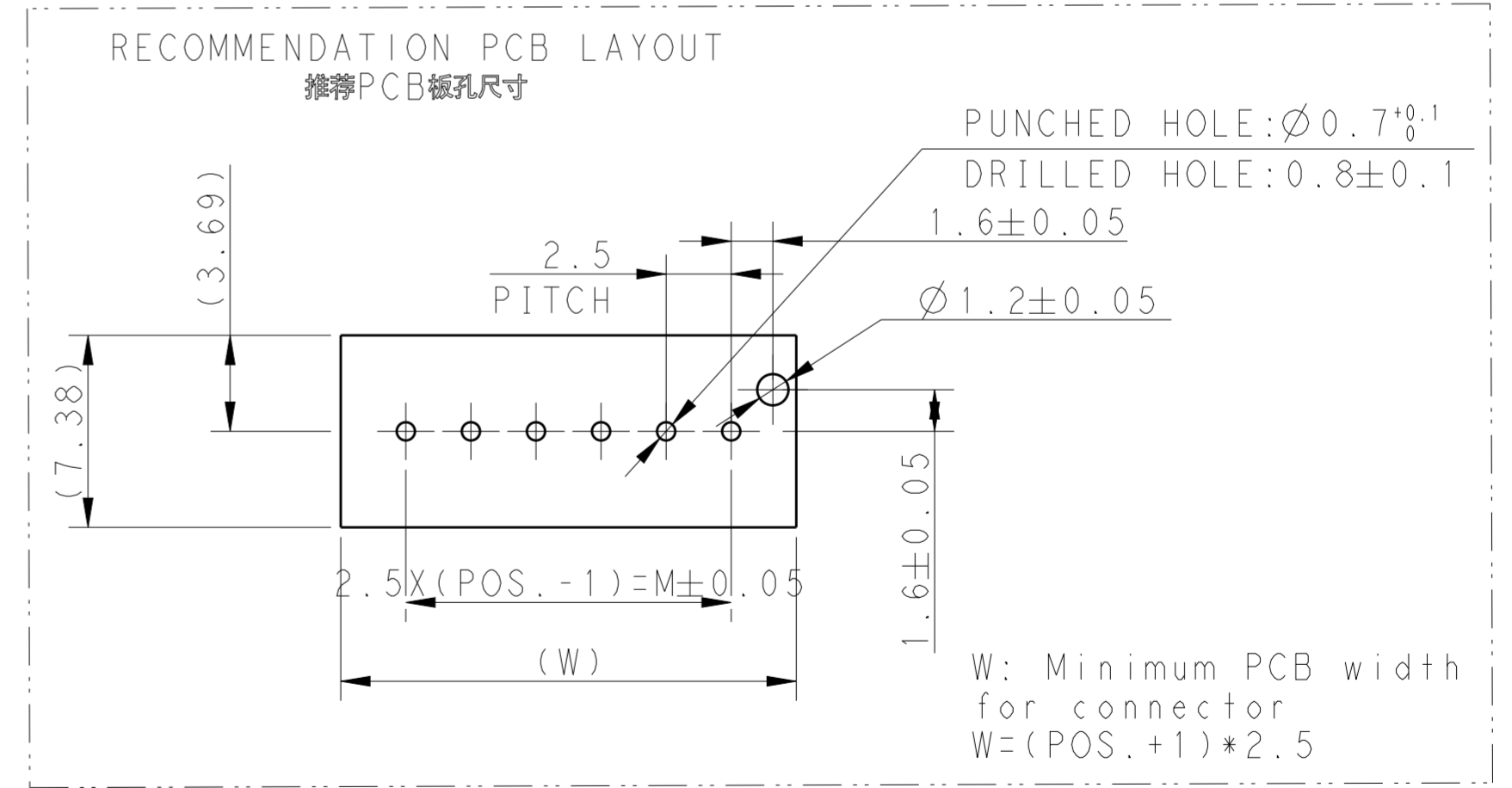


NOTES:

1. GENERAL TOLERANCE: ±0.3
2. MATERIAL SEE TABLE 1
3. MATING CONN. P/N: SEE TABLE (SHEET 3)

TABLE 1

| NO. | PART NAME | MATERIAL |
|-----|----------------|---------------------------|
| ① | POST CONTACT | COPPER ALLOY, TIN PLATING |
| ② | HEADER HOUSING | THERMO PLASTIC UL94 V-0 |

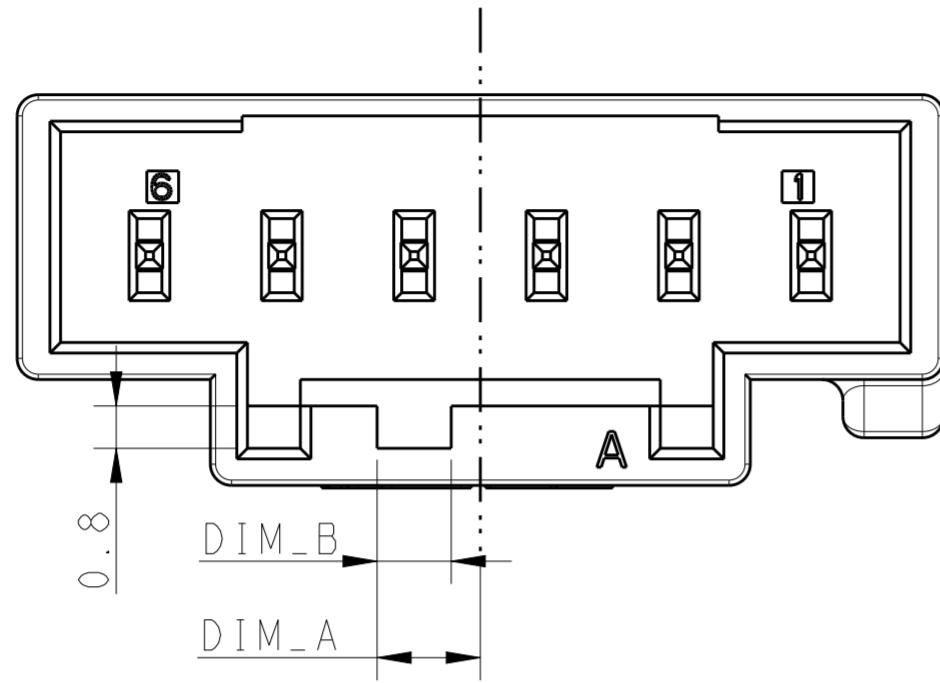


| | | | | | |
|--|--|-------------------------|---|--------------|---------------------|
| THIS DRAWING IS A CONTROLLED DOCUMENT. | | DWN: H.J.Z 28MAY2013 | STE TE Connectivity | | |
| DIMENSIONS: mm | | CHK: TIM.D 28MAY2013 | | | |
| TOLERANCES UNLESS OTHERWISE SPECIFIED: | | APVD: YH.M 28MAY2013 | NAME: HEADER ASSY, PITCH 2.5 WITH BOSS D1.0 | | |
| 0 PLC ±0.3 | | PRODUCT SPEC 108-106077 | NEXT GENERATION | | |
| 1 PLC ±0.3 | | APPLICATION SPEC | GRACE INERTIA CONNECTOR | | |
| 2 PLC ±0.3 | | WEIGHT | SIZE: A2 | CAGE CODE: - | DRAWING NO: 1971798 |
| 3 PLC ±0.01 | | FINISH | RESTRICTED TO | | |
| 4 PLC ±0.0001 | | Customer Drawing | SCALE: / | SHEET 1 OF 3 | |
| ANGLES ± | | | | REV D | |

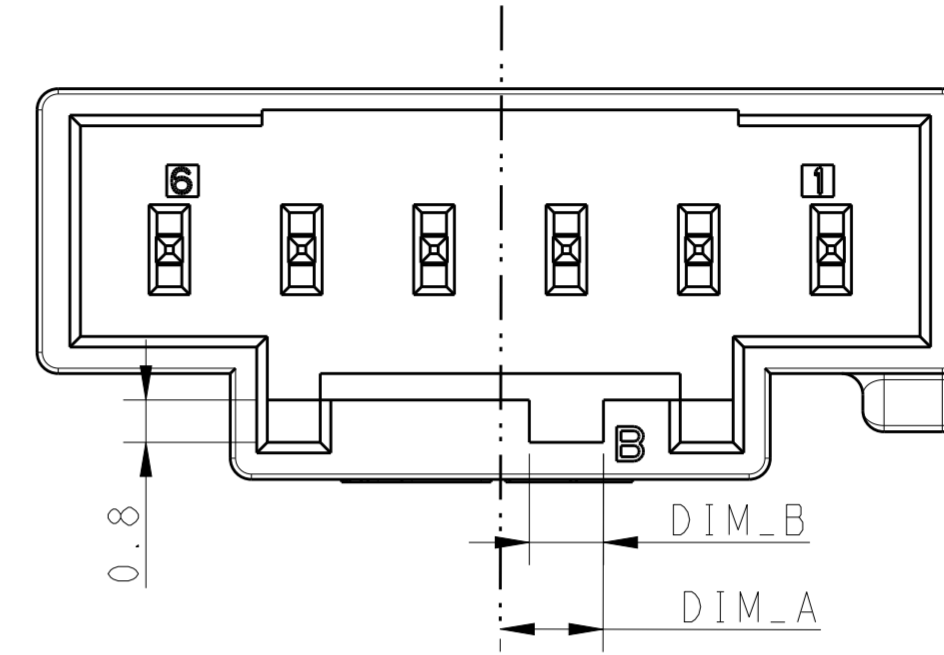
THIS DRAWING IS UNPUBLISHED. RELEASED FOR PUBLICATION
 © COPYRIGHT BY - TE CONNECTIVITY ALL RIGHTS RESERVED.

| LOC | DIST | P | LTR | DESCRIPTION | DATE | DWN | APVD |
|-----|------|---|-----|-------------|------|-----|------|
| - | - | - | - | SEE SHEET 1 | - | - | - |
| | | | | | | | |
| | | | | | | | |

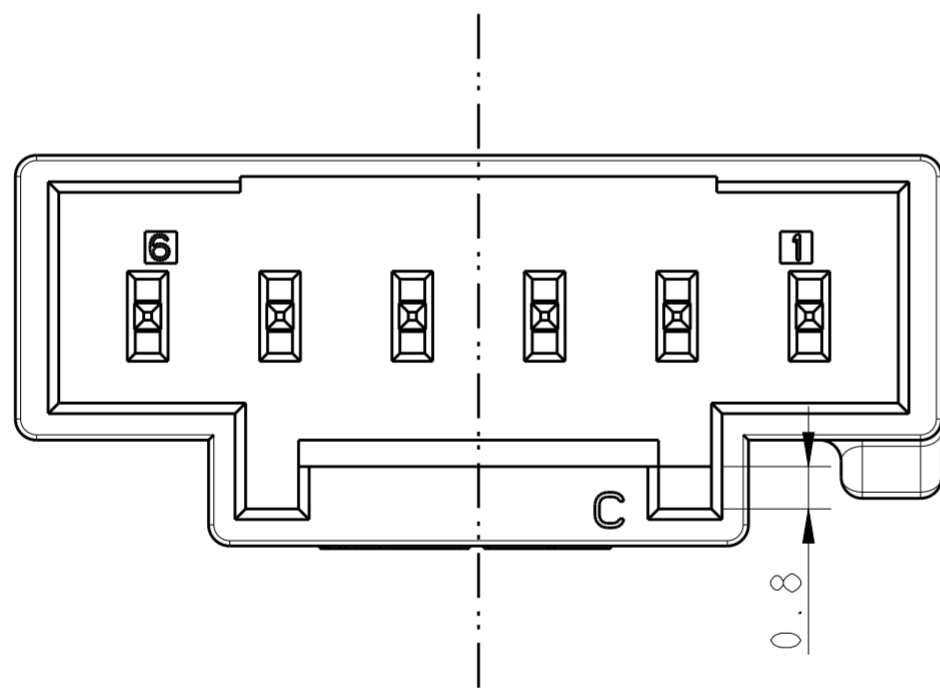
KEYING - A



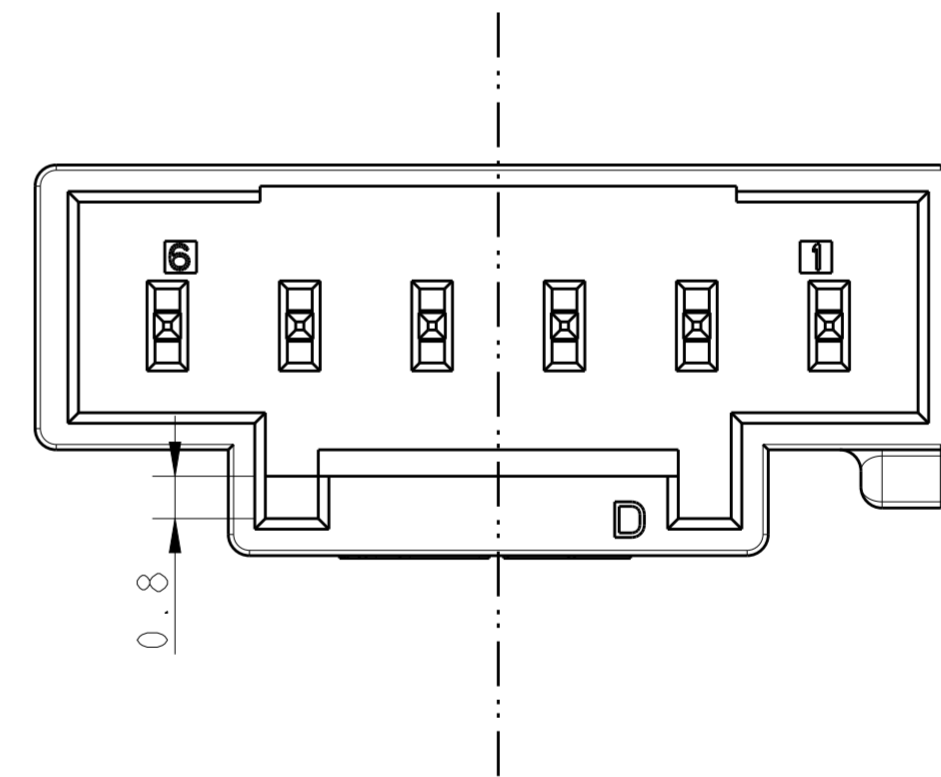
KEYING - B



KEYING - C



KEYING - D



DIMENSION MATRIX FOR KEYING

| | | |
|-------|-------|------|
| 1.4 | 2.4 | 8P |
| 1.4 | 2.4 | 7P |
| 1.4 | 1.95 | 6P |
| 1.4 | 1.95 | 5P |
| 1.4 | 1.6 | 4P |
| 1.4 | 1.3 | 3P |
| 1.25 | 1.05 | 2P |
| DIM_B | DIM_A | POS. |

| | | | | | | |
|--|--|----------------------|---------------------|---------------------------------------|------------|---------------|
| THIS DRAWING IS A CONTROLLED DOCUMENT. | | DWN H.J.Z 28MAY2013 | TE Connectivity | NAME | | |
| DIMENSIONS: | | CHK H.J.Z 28MAY2013 | | HEADER ASSY, PITCH 2.5 WITH BOSS D1.0 | | |
| mm | | APVD Y.H.M 28MAY2013 | | NEXT GENERATION | | |
| TOLERANCES UNLESS OTHERWISE SPECIFIED | | PRODUCT SPEC | | GRACE INERTIA CONNECTOR | | |
| 0 PLC ± 0.3 | | APPLICATION SPEC | SIZE | CAGE CODE | DRAWING NO | RESTRICTED TO |
| 1 PLC ± 0.3 | | 108-106077 | A2 | - | G-1971798 | - |
| 2 PLC ± 0.3 | | WEIGHT | SCALE | | SHEET | OF |
| 3 PLC ± 0.01 | | - | / | | 2 | 3 |
| 4 PLC ± 0.001 | | Customer Drawing | REV | | D | |
| ANGLES ± - | | | | | | |
| FINISH | | | | | | |


THIS DRAWING IS UNPUBLISHED. RELEASED FOR PUBLICATION
 © COPYRIGHT BY - TE CONNECTIVITY ALL RIGHTS RESERVED.

| LOC | DIST | P | LTR | DESCRIPTION | DATE | DWN | APVD |
|-----|------|---|-----|-------------|------|-----|------|
| - | - | - | - | SEE SHEET 1 | - | - | - |

| MATING CONN P/N | P | M | Pos. | COLOR | KEYING | PART NUMBER | DESCRIPTION |
|-----------------|-------------|-------------|------|---------|--------|-------------|-------------|
| 3-2232701-4 | 10 | 5 | 3 | YELLOW | D | 3-1971798-4 | △1 |
| 3-2232701-2 | 10 | 5 | 3 | BLUE | B | 3-9171798-2 | △1 |
| 2-2232701-1 | 7.5 | 2.5 | 2 | NATURAL | A | 2-1971798-1 | △1 |
| 8-1971793-5 | 22.5 | 17.5 | 8 | BLACK | D | 8-1971798-5 | |
| 8-1971793-4 | | | | YELLOW | D | 8-1971798-4 | |
| 8-1971793-3 | | | | RED | C | 8-1971798-3 | |
| 8-1971793-2 | | | | BLUE | B | 8-1971798-2 | |
| 8-1971793-1 | 20.0 | 15.0 | 7 | NATURAL | A | 8-1971798-1 | |
| 7-1971793-5 | | | | BLACK | D | 7-1971798-5 | |
| 7-1971793-4 | | | | YELLOW | D | 7-1971798-4 | |
| 7-1971793-3 | | | | RED | C | 7-1971798-3 | |
| 7-1971793-2 | 17.5 | 12.5 | 6 | BLUE | B | 7-1971798-2 | |
| 7-1971793-1 | | | | NATURAL | A | 7-1971798-1 | |
| 6-1971793-5 | | | | BLACK | D | 6-1971798-5 | |
| 6-1971793-4 | | | | YELLOW | D | 6-1971798-4 | |
| 6-1971793-3 | 15.0 | 10.0 | 5 | RED | C | 6-1971798-3 | |
| 6-1971793-2 | | | | BLUE | B | 6-1971798-2 | |
| 6-1971793-1 | | | | NATURAL | A | 6-1971798-1 | |
| 5-1971793-5 | | | | BLACK | D | 5-1971798-5 | |
| 5-1971793-4 | 12.5 | 7.5 | 4 | YELLOW | D | 5-1971798-4 | |
| 5-1971793-3 | | | | RED | C | 5-1971798-3 | |
| 5-1971793-2 | | | | BLUE | B | 5-1971798-2 | |
| 5-1971793-1 | | | | NATURAL | A | 5-1971798-1 | |
| 4-1971793-5 | 10.0 | 5 | 3 | BLACK | D | 4-1971798-5 | |
| 4-1971793-4 | | | | YELLOW | D | 4-1971798-4 | |
| 4-1971793-3 | | | | RED | C | 4-1971798-3 | |
| 4-1971793-2 | | | | BLUE | B | 4-1971798-2 | |
| 4-1971793-1 | 7.5 | 2.5 | 2 | NATURAL | A | 4-1971798-1 | |
| 3-1971793-5 | | | | BLACK | D | 3-1971798-5 | |
| 3-1971793-4 | | | | YELLOW | D | 3-2232730-4 | |
| 3-1971793-3 | | | | RED | C | 3-1971798-3 | |
| 3-1971793-2 | 2-1971798-5 | 2-1971798-4 | 2 | BLUE | B | 3-2232730-2 | |
| 3-1971793-1 | | | | NATURAL | A | 3-1971798-1 | |
| 2-1971793-5 | | | | BLACK | D | 2-1971798-5 | |
| 2-1971793-4 | | | | YELLOW | D | 2-1971798-4 | |
| 2-1971793-3 | 2-1971798-3 | 2-1971798-2 | 2 | RED | C | 2-1971798-3 | |
| 2-1971793-2 | | | | BLUE | B | 2-1971798-2 | |
| 2-1971793-1 | | | | NATURAL | A | 2-2232730-1 | |
| 2-1971793-1 | | | | | | | |

HEADER ASSEMBLY

△ Restricted to special customer (Hair)

| | | | | | | |
|---|--|------------------|--------------|-----------|---|--|
| THIS DRAWING IS A CONTROLLED DOCUMENT. | | DWN | HJ.Z | 28MAY2013 |  TE Connectivity | |
| DIMENSIONS: mm | | CHK | HJ.Z | 28MAY2013 | | |
| TOLERANCES UNLESS OTHERWISE SPECIFIED | | APVD | YH.M | 28MAY2013 | | |
| 0 PLC ± 0.3 1 PLC ± 0.3 2 PLC ± 0.3 3 PLC ± 0.015 4 PLC ± 0.001 ANGLES ± - FINISH | | PRODUCT SPEC | NAME | | | HEADER ASSY, PITCH 2.5 WITH BOSS D1.0 NEXT GENERATION GRACE INERTIA CONNETOR |
| MATERIAL | | APPLICATION SPEC | 108-106077 | | SIZE | A2 |
| | | WEIGHT | - | | CAGE CODE | - |
| | | Customer Drawing | SCALE / | | DRAWING NO | 1971798 |
| | | | SHEET 3 OF 3 | | RESTRICTED TO | - |
| | | | REV D | | | |