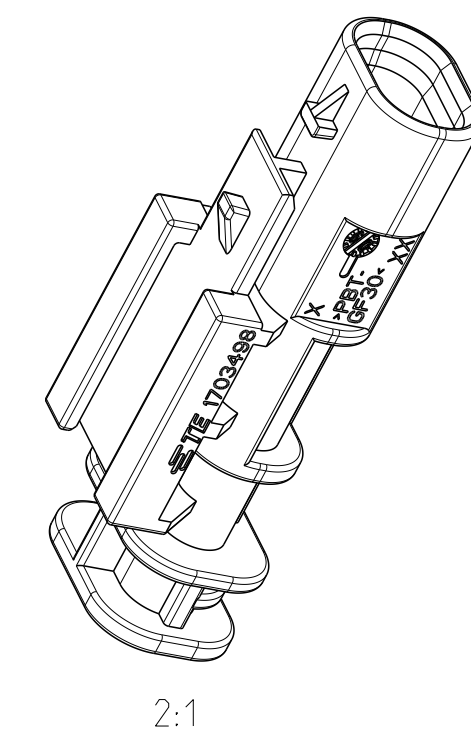
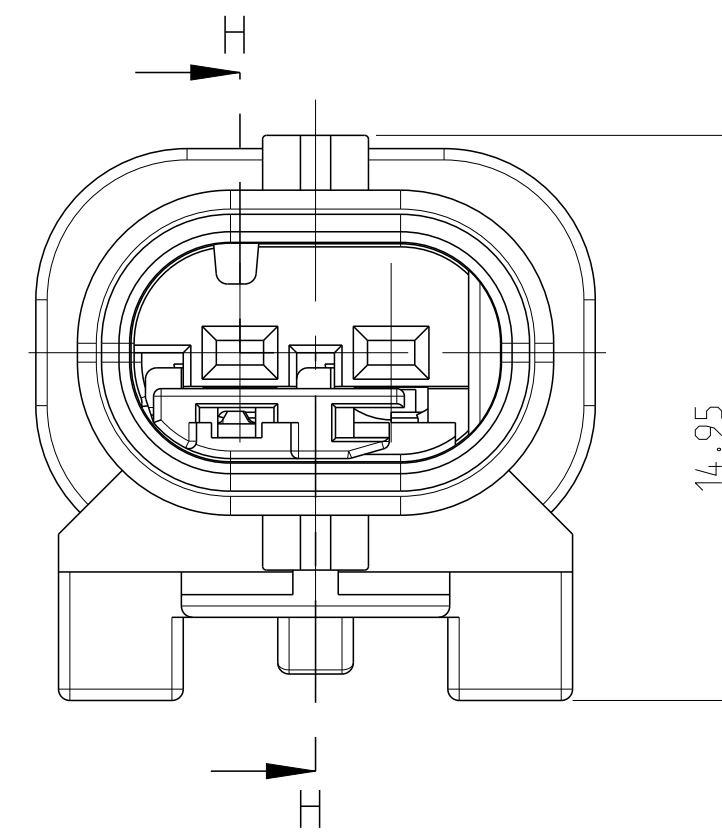
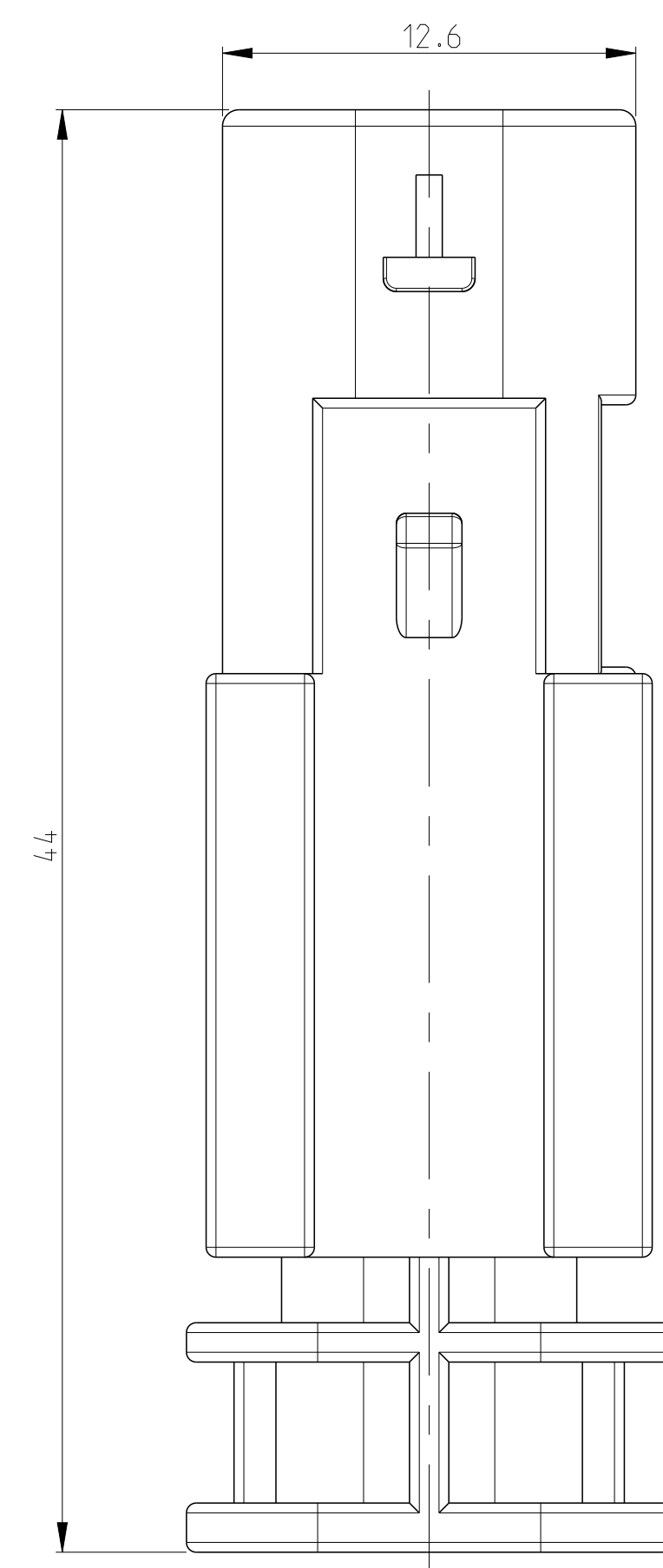
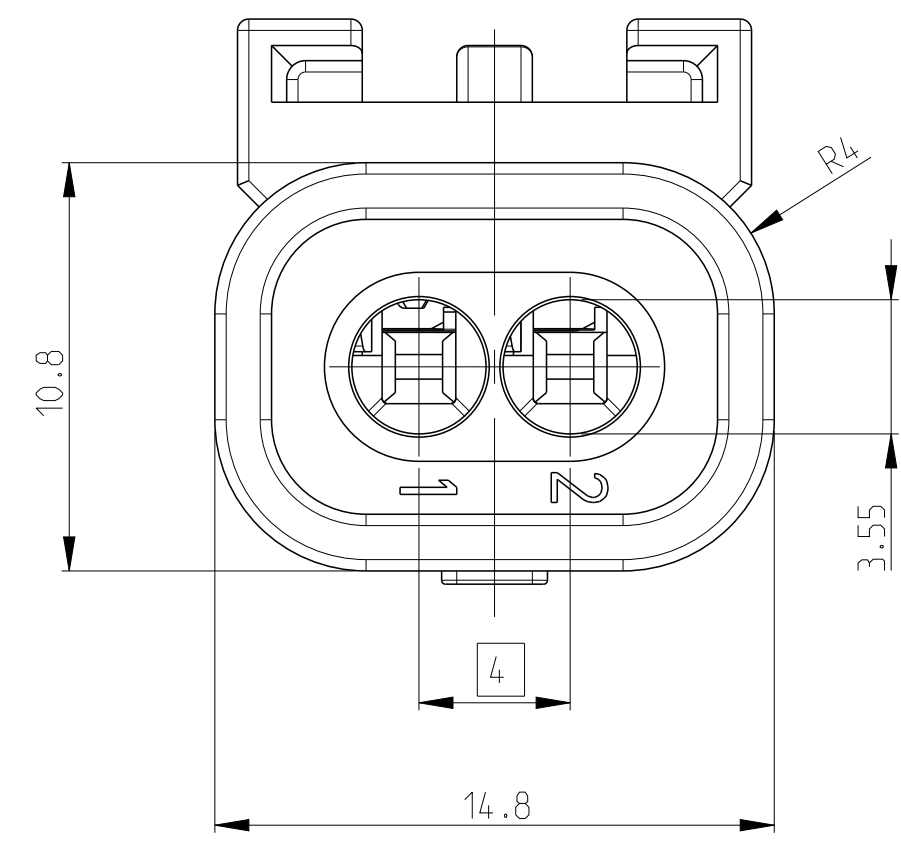
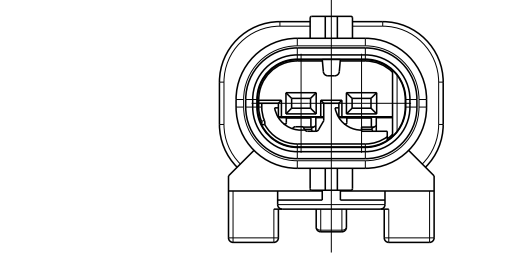


SHOWN 1-1703498-1

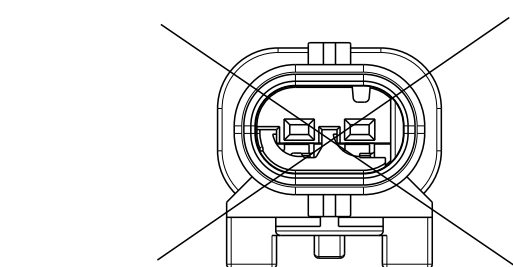


2:1

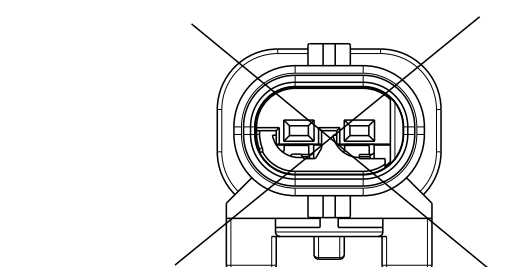
A 1-1703498-1



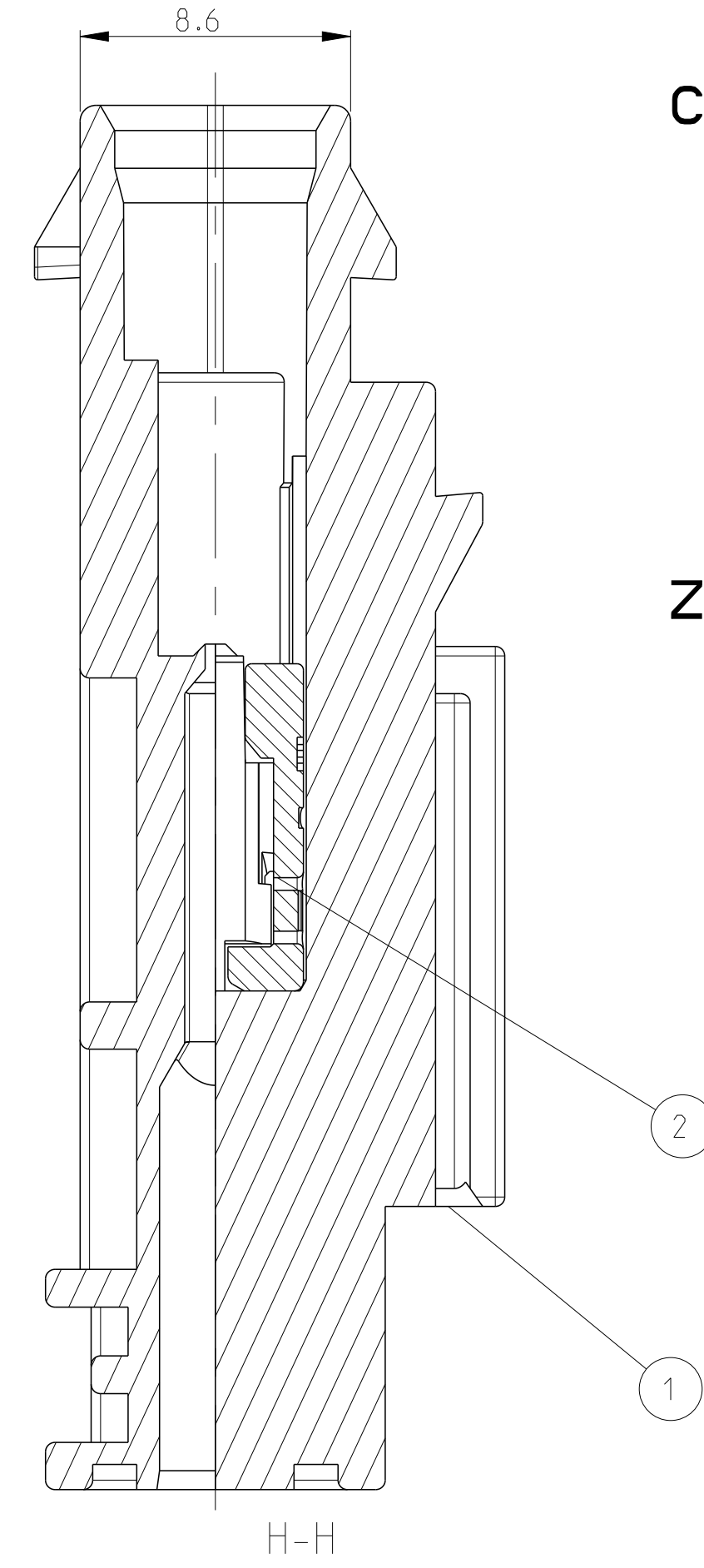
B 2-1703498-1



C 3-1703498-1



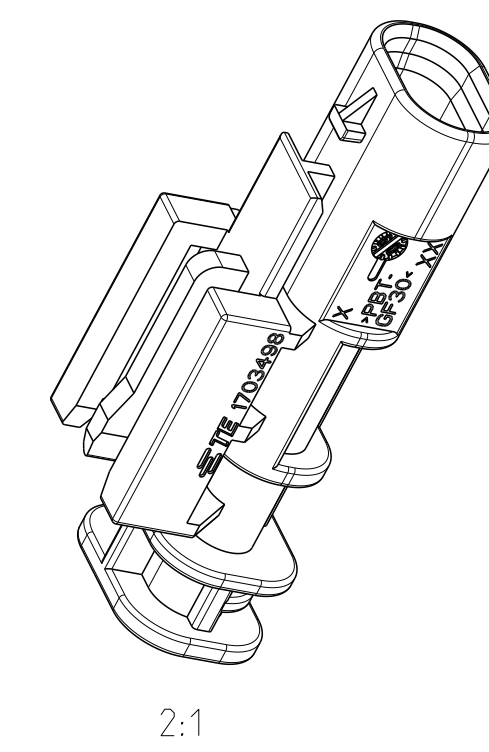
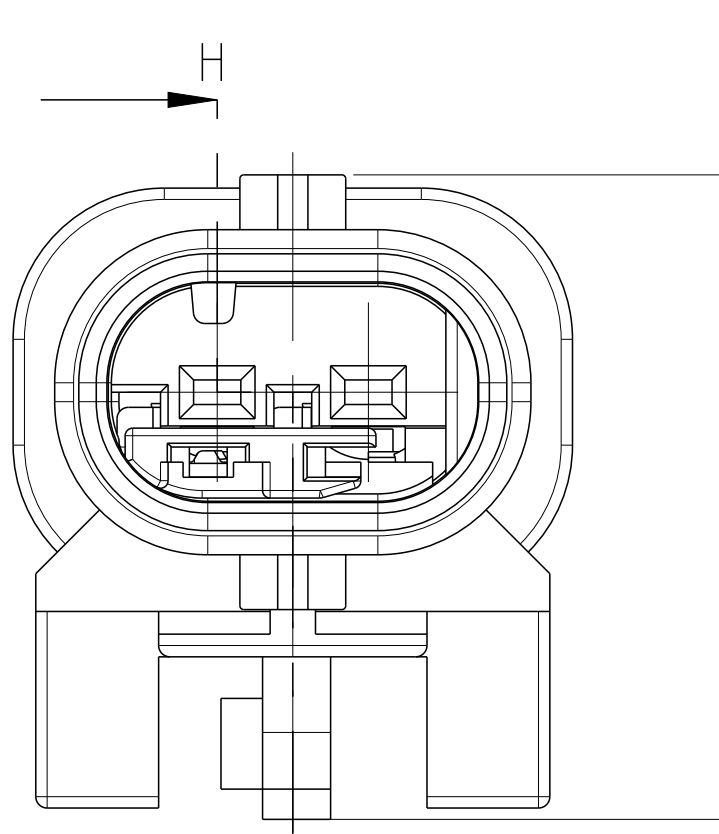
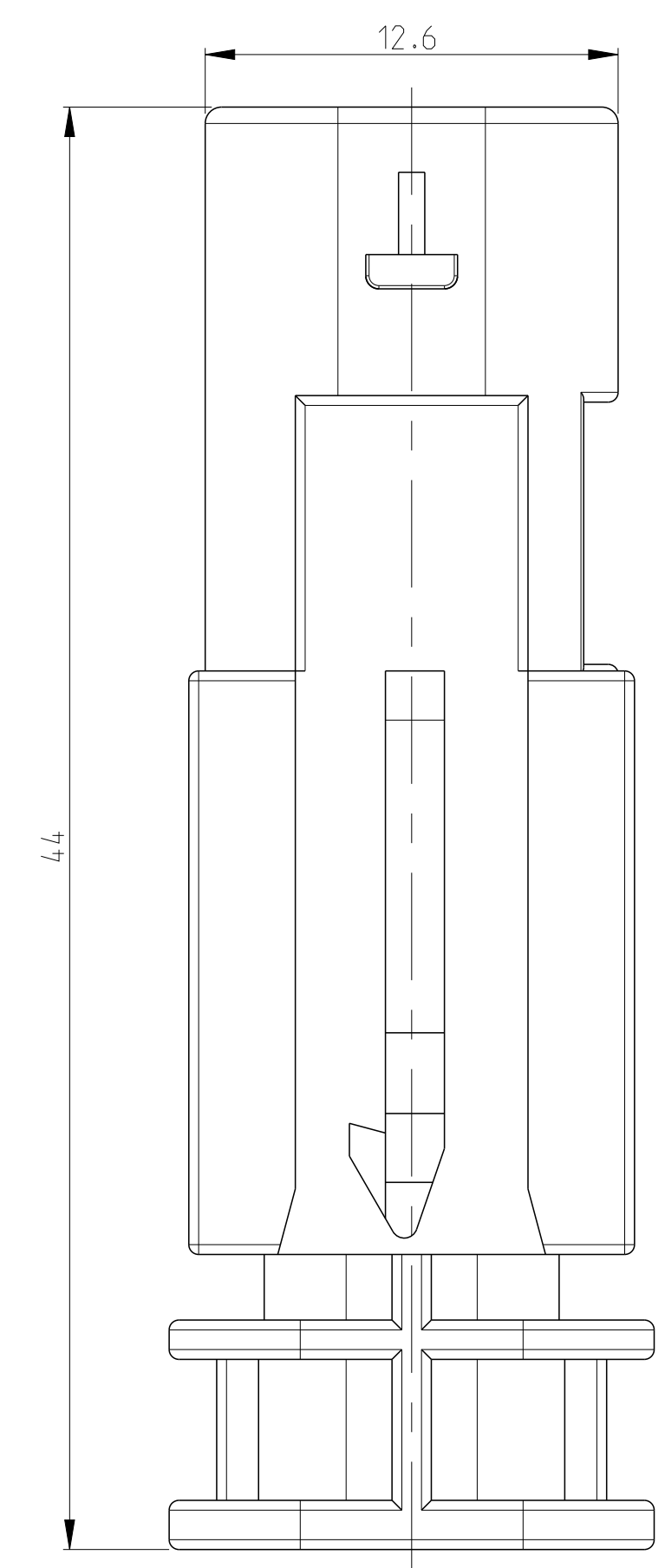
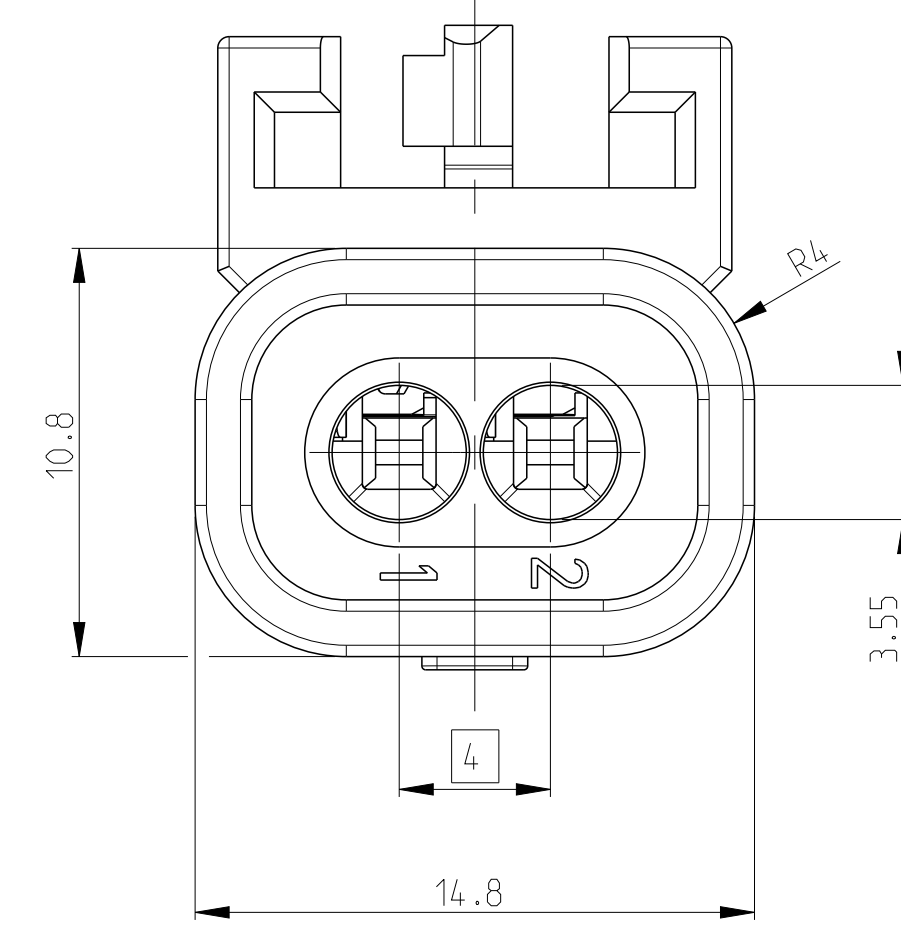
Z 4-1703498-1



H-H

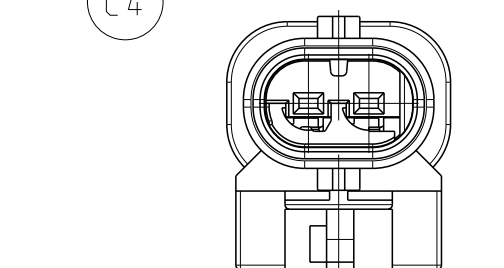
CODINGS
2:1

SHOWN 1-1703498-2

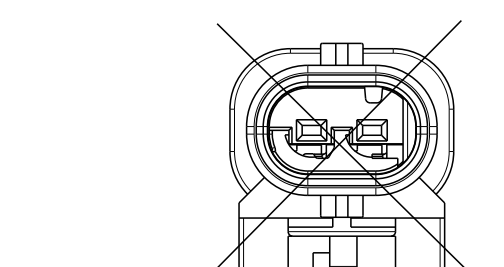


2:1

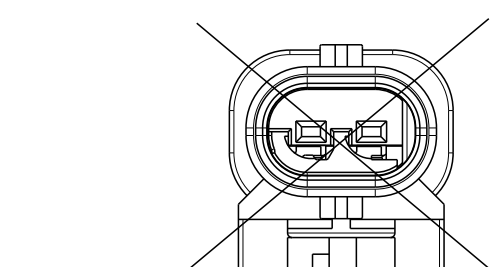
A 1-1703498-2
1-1703498-5 (VW)



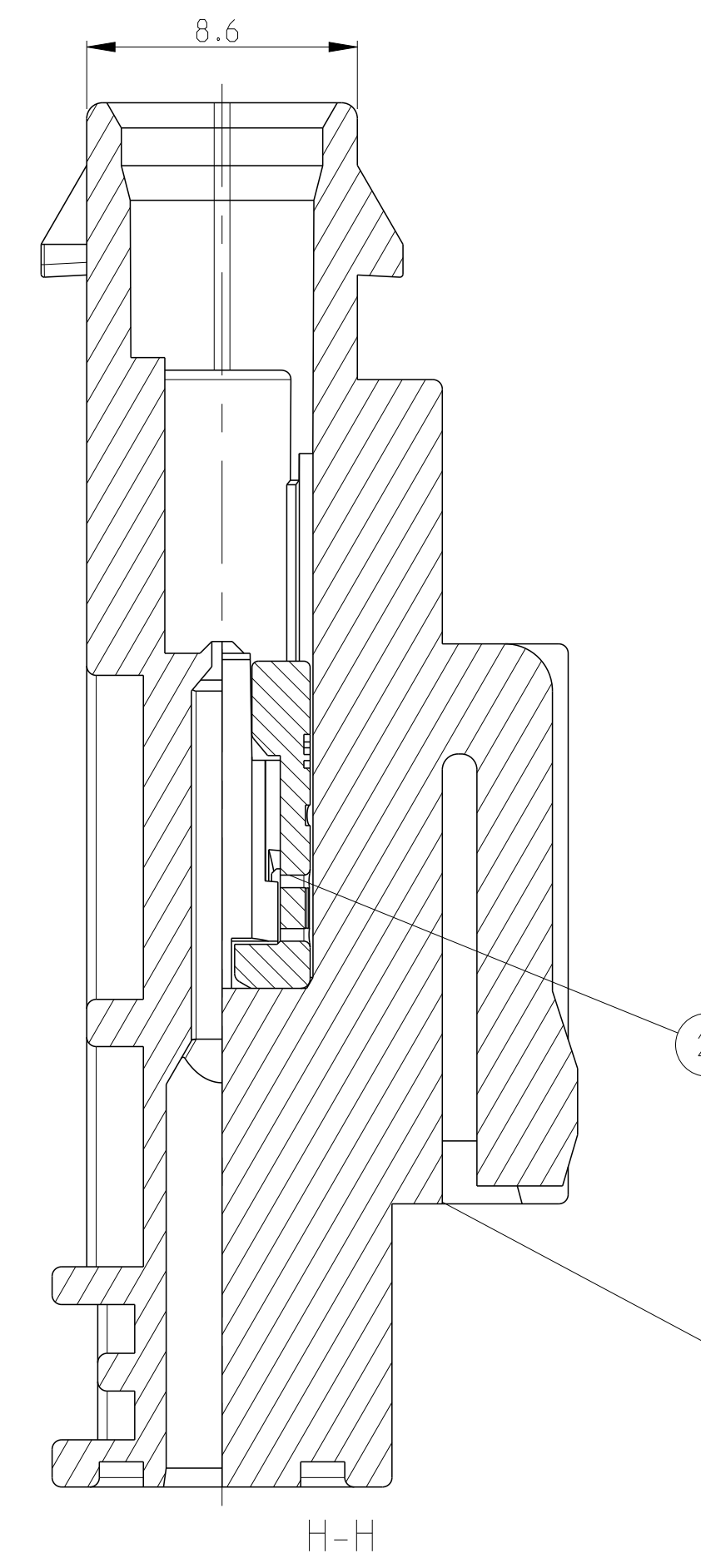
B 2-1703498-2



C 3-1703498-2



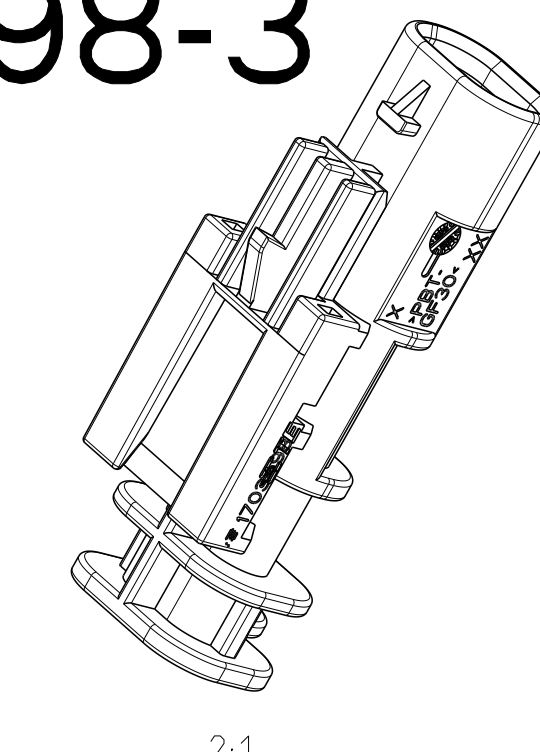
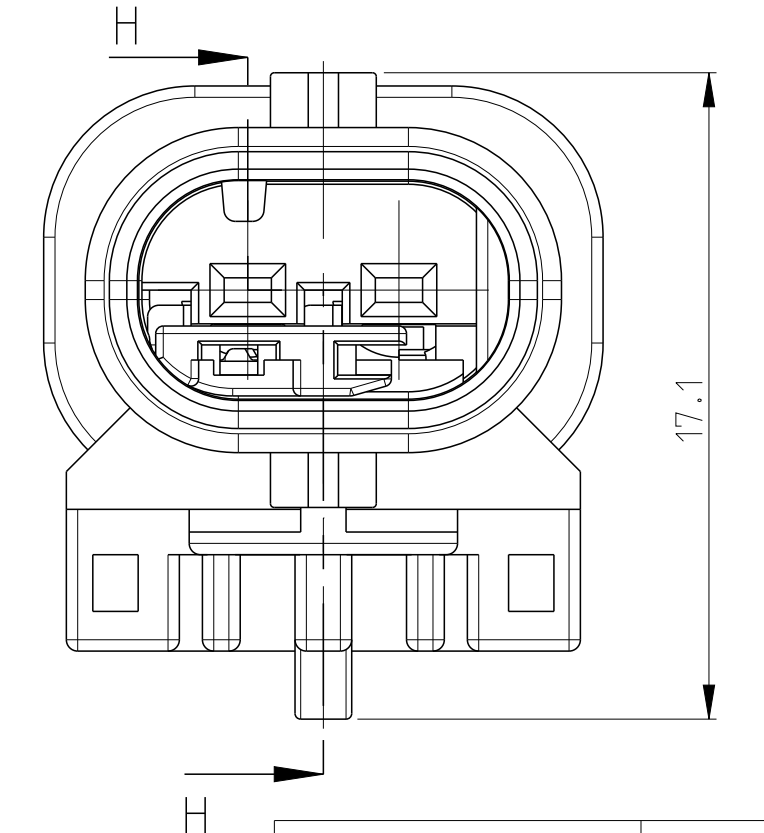
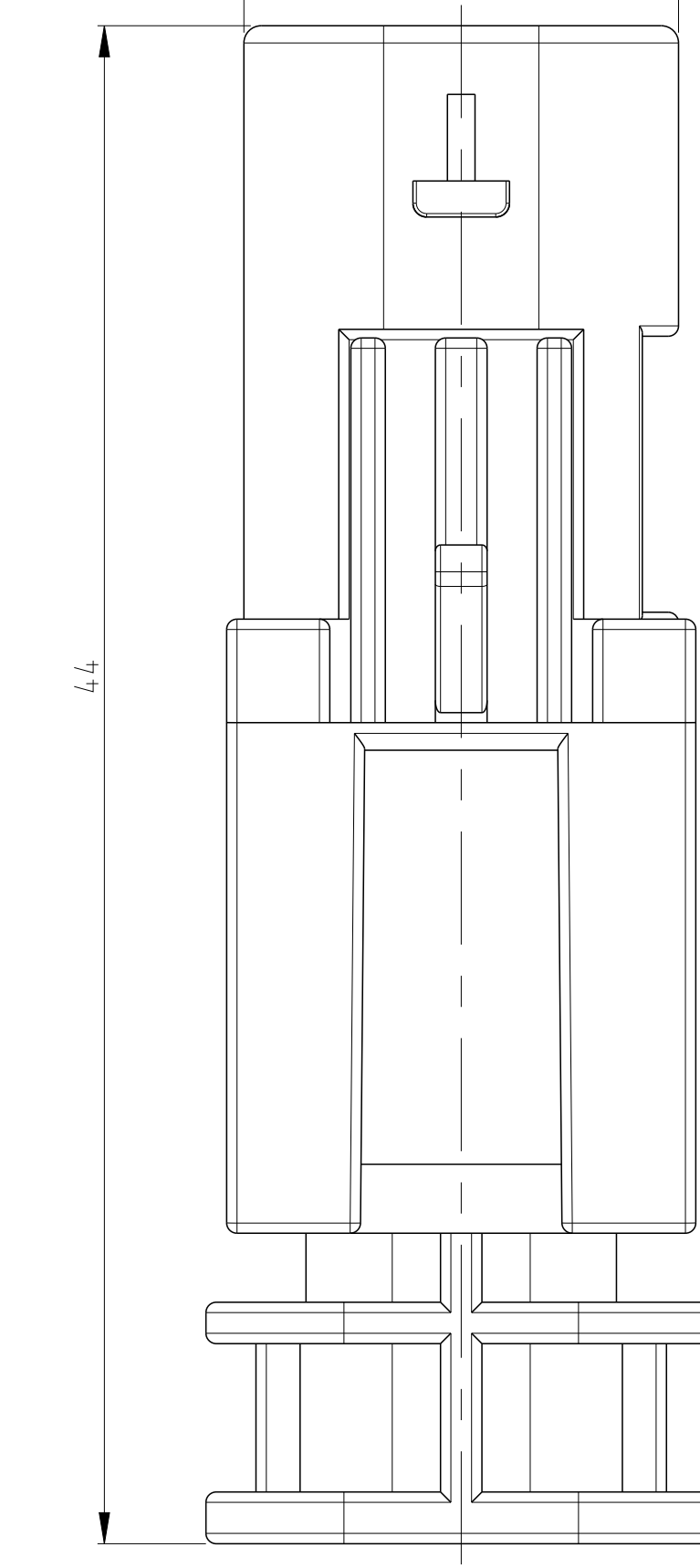
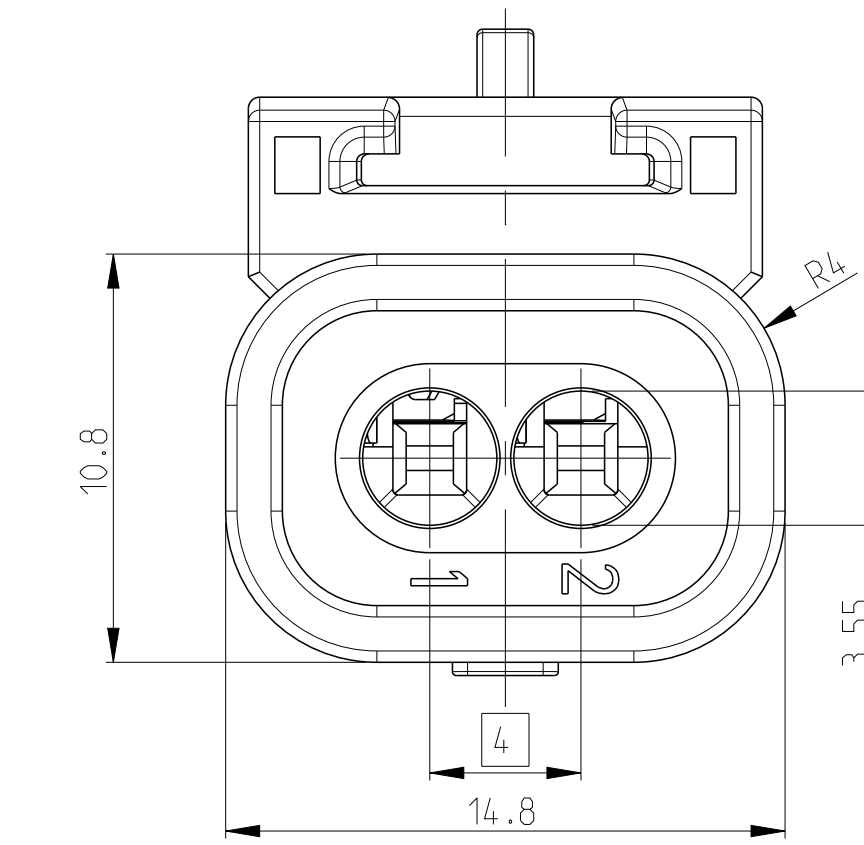
Z 4-1703498-2



H-H

CODINGS
2:1

SHOWN 1-1703498-3



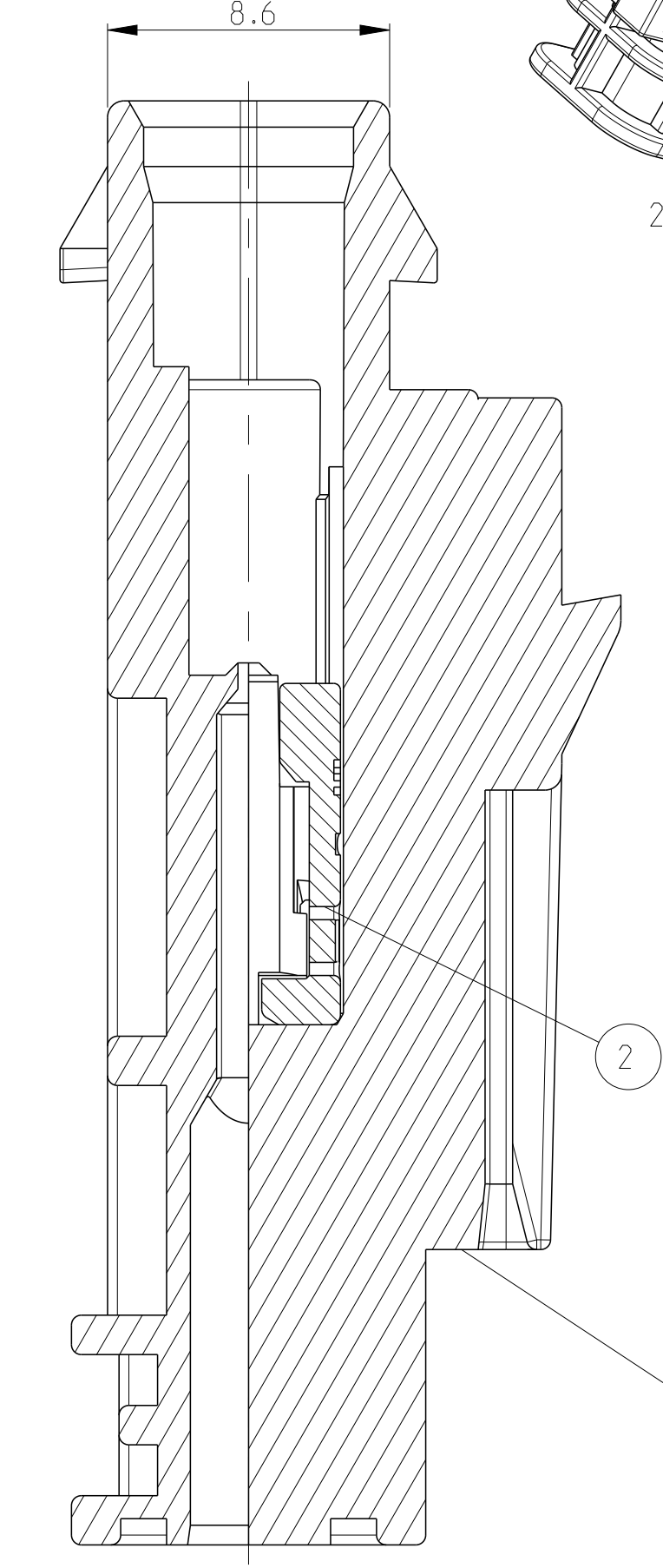
2:1

A 1-1703498-3 (BLACK)
1-1703498-4 (YELLOW)

B 2-1703498-3 (GREY) (C6)
2-1703498-4 (YELLOW)

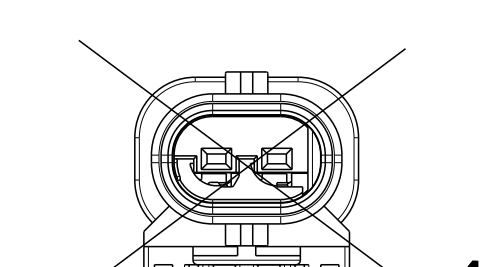
C 3-1703498-3

Z 4-1703498-3



H-H

1



| REV | DATE | DESCRIPTION | BY | CHK | APPD |
|-----|-----------|---------------------------|----|-----|------|
| C3 | 28APR01 | REVISED PER ECO-11-005150 | | SK | HR |
| C4 | 25SEP013 | PCN-E-13-015042 | | MT | HR |
| C5 | 19MAR2015 | PCN-E-15-001920 | | MT | HR |
| C6 | 06APR2017 | COLOR CORRECTION | | LSZ | RT |

| TE SUITABLE FEMALE HSG. PASSENDE BUCHSENGEH. | ASSY REV. | TE Bestell-Nr. ORDER-NO. | CODE | Benennung TITLE | QTY | Benennung Einzelteil TITLE | Werkstoff MATERIAL | Oberflaeche/Farbe SURFACE/CLOUR | Pos. ITEM |
|--|-----------|--------------------------|------|--|-----|--|--------------------|---------------------------------|-----------|
| | | 2-1703498-4 | B | Stiftgehaeuse 2pol. MALE HOUSING 2POS. | 1 | Kontaktsicherung RETAINER | PA66-GF35 | violett/VIOLET | 2 |
| | | 1-1703498-4 | A | Stiftgehaeuse 2pol. MALE HOUSING 2POS. | 1 | Stiftgehaeuse 2pol. MALE HOUSING 2POS. | PBT-GF30 | gelb/YELLOW | 1b |
| | | 1-1703498-4 | A | Stiftgehaeuse 2pol. MALE HOUSING 2POS. | 1 | Kontaktsicherung RETAINER | PA66-GF35 | violett/VIOLET | 2 |
| | | 1-1703498-4 | A | Stiftgehaeuse 2pol. MALE HOUSING 2POS. | 1 | Stiftgehaeuse 2pol. MALE HOUSING 2POS. | PBT-GF30 | gelb/YELLOW | 1a |
| | | 4-1703498-3 | Z | Stiftgehaeuse 2pol. MALE HOUSING 2POS. | 1 | Kontaktsicherung RETAINER | PA66-GF35 | violett/VIOLET | 2 |
| | | 4-1703498-3 | Z | Stiftgehaeuse 2pol. MALE HOUSING 2POS. | 1 | Kontaktsicherung RETAINER | PA66-GF35 | schwarz/BLACK | 1z |
| | | 3-1703498-3 | C | Stiftgehaeuse 2pol. MALE HOUSING 2POS. | 1 | Kontaktsicherung RETAINER | PA66-GF35 | violett/VIOLET | 2 |
| | | 3-1703498-3 | C | Stiftgehaeuse 2pol. MALE HOUSING 2POS. | 1 | Stiftgehaeuse 2pol. MALE HOUSING 2POS. | PBT-GF30 | schwarz/BLACK | 1c |
| | | 2-1703498-3 | B | Stiftgehaeuse 2pol. MALE HOUSING 2POS. | 1 | Kontaktsicherung RETAINER | PA66-GF35 | violett/VIOLET | 2 |
| | | 2-1703498-3 | B | Stiftgehaeuse 2pol. MALE HOUSING 2POS. | 1 | Stiftgehaeuse 2pol. MALE HOUSING 2POS. | PBT-GF30 | grau/GREY | 1b |
| | | 1-1703498-3 | A | Stiftgehaeuse 2pol. MALE HOUSING 2POS. | 1 | Kontaktsicherung RETAINER | PA66-GF35 | violett/VIOLET | 2 |
| | | 1-1703498-3 | A | Stiftgehaeuse 2pol. MALE HOUSING 2POS. | 1 | Stiftgehaeuse 2pol. MALE HOUSING 2POS. | PBT-GF30 | schwarz/BLACK | 1a |

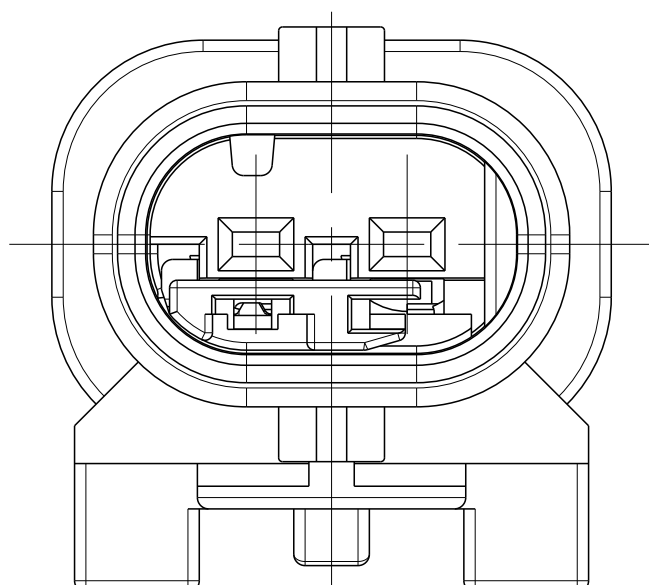
| TE SUITABLE FEMALE HSG. PASSENDE BUCHSENGEH. | ASSY REV. | TE Bestell-Nr. ORDER-NO. | CODE | Benennung TITLE | QTY | Benennung Einzelteil TITLE | Werkstoff MATERIAL | Oberflaeche/Farbe SURFACE/CLOUR | Pos. ITEM |
|--|-----------|--------------------------|------|--|-----|--|--------------------|---------------------------------|-----------|
| | | 1-1703498-5 | A | Stiftgehaeuse 2pol. MALE HOUSING 2POS. | 1 | Kontaktsicherung RETAINER | PA66-GF35 | violett/VIOLET | 2 |
| | | 1-1703498-5 | A | Stiftgehaeuse 2pol. MALE HOUSING 2POS. | 1 | Stiftgehaeuse 2pol. MALE HOUSING 2POS. | PBT-GF30 | schwarz/BLACK | 1a |
| | | 4-1703498-2 | Z | Stiftgehaeuse 2pol. MALE HOUSING 2POS. | 1 | Kontaktsicherung RETAINER | PA66-GF35 | violett/VIOLET | 2 |
| | | 4-1703498-2 | Z | Stiftgehaeuse 2pol. MALE HOUSING 2POS. | 1 | Stiftgehaeuse 2pol. MALE HOUSING 2POS. | PBT-GF30 | schwarz/BLACK | 1z |
| | | 3-1703498-2 | C | Stiftgehaeuse 2pol. MALE HOUSING 2POS. | 1 | Kontaktsicherung RETAINER | PA66-GF35 | violett/VIOLET | 2 |
| | | 3-1703498-2 | C | Stiftgehaeuse 2pol. MALE HOUSING 2POS. | 1 | Stiftgehaeuse 2pol. MALE HOUSING 2POS. | PBT-GF30 | schwarz/BLACK | 1c |
| | | 2-1703498-2 | B | Stiftgehaeuse 2pol. MALE HOUSING 2POS. | 1 | Kontaktsicherung RETAINER | PA66-GF35 | violett/VIOLET | 2 |
| | | 2-1703498-2 | B | Stiftgehaeuse 2pol. MALE HOUSING 2POS. | 1 | Stiftgehaeuse 2pol. MALE HOUSING 2POS. | PBT-GF30 | grau/GREY | 1b |
| | | 1-1703498-2 | A | Stiftgehaeuse 2pol. MALE HOUSING 2POS. | 1 | Kontaktsicherung RETAINER | PA66-GF35 | violett/VIOLET | 2 |
| | | 1-1703498-2 | A | Stiftgehaeuse 2pol. MALE HOUSING 2POS. | 1 | Stiftgehaeuse 2pol. MALE HOUSING 2POS. | PBT-GF30 | schwarz/BLACK | 1a |

| TE SUITABLE FEMALE HSG. PASSENDE BUCHSENGEH. | ASSY REV. | TE Bestell-Nr. ORDER-NO. | CODE | Benennung TITLE | QTY | Benennung Einzelteil TITLE | Werkstoff MATERIAL | Oberflaeche/Farbe SURFACE/CLOUR | Pos. ITEM |
|--|-----------|--------------------------|------|--|-----|--|--------------------|---------------------------------|-----------|
| | | 4-1703498-1 | Z | Stiftgehaeuse 2pol. MALE HOUSING 2POS. | 1 | Kontaktsicherung RETAINER | PA66-GF35 | violett/VIOLET | 2 |
| | | 4-1703498-1 | Z | Stiftgehaeuse 2pol. MALE HOUSING 2POS. | 1 | Stiftgehaeuse 2pol. MALE HOUSING 2POS. | PBT-GF30 | schwarz/BLACK | 1z |
| | | 3-1703498-1 | C | Stiftgehaeuse 2pol. MALE HOUSING 2POS. | 1 | Kontaktsicherung RETAINER | PA66-GF35 | violett/VIOLET | 2 |
| | | 3-1703498-1 | C | Stiftgehaeuse 2pol. MALE HOUSING 2POS. | 1 | Stiftgehaeuse 2pol. MALE HOUSING 2POS. | PBT-GF30 | schwarz/BLACK | 1c |
| | | 2-1703498-1 | B | Stiftgehaeuse 2pol. MALE HOUSING 2POS. | 1 | Kontaktsicherung RETAINER | PA66-GF35 | violett/VIOLET | 2 |
| | | 2-1703498-1 | B | Stiftgehaeuse 2pol. MALE HOUSING 2POS. | 1 | Stiftgehaeuse 2pol. MALE HOUSING 2POS. | PBT-GF30 | grau/GREY | 1b |
| | | 1-1703498-1 | A | Stiftgehaeuse 2pol. MALE HOUSING 2POS. | 1 | Kontaktsicherung RETAINER | PA66-GF35 | violett/VIOLET | 2 |
| | | 1-1703498-1 | A | Stiftgehaeuse 2pol. MALE HOUSING 2POS. | 1 | Stiftgehaeuse 2pol. MALE HOUSING 2POS. | PBT-GF30 | schwarz/BLACK | 1a |

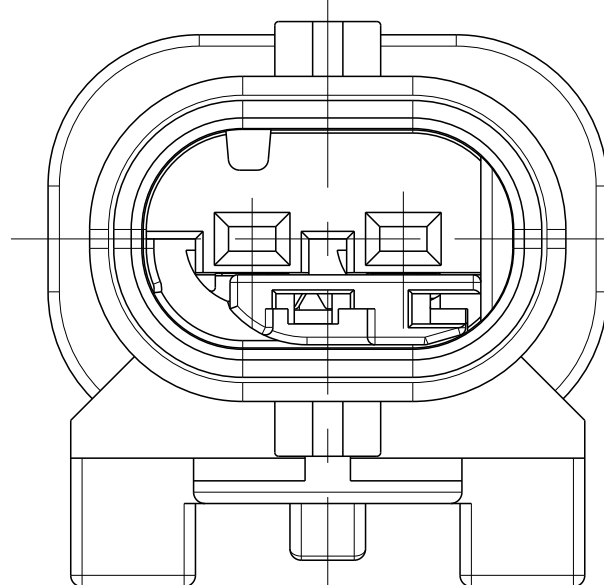
| TE-PN TERMINALS | WIRE RANGE | TE-PN SINGLE WIRE SEAL | TE-PN BLIND PLUG |
|-----------------|----------------------------|------------------------|------------------|
| 214868 | 0.08 - 0.22mm ² | 967067-2 | 967056-1 |
| 1718758 | 0.25 - 0.35mm ² | 967067-2 | |
| 1718760 | 0.5 - 0.75mm ² | 967067-1 | |
| 1718762 | 1mm ² | 967067-1 | |

TERMINAL TE-APPLICATION SPEC.: 114-18464

RETAINER IN PRE LOCKED POSITION
2. Kontaktsicherung in Vorraststellung



RETAINER IN FINAL LOCKED POSITION
2. Kontaktsicherung in Endraststellung



RETAINER MOVING DIRECTION
2. Kontaktsicherung Verschiebeweg

REGRIND MAX. 25%

| | | | | | |
|--|--------|-----------------|---------------|-------------------|-----------------|
| THIS DRAWING IS A CONTROLLED DOCUMENT. | | DATE: 19JUN2007 | BY: A LOECSER | CHK: H. RIBBER | DATE: 19JUN2007 |
| DIMENSIONS: | UNITS: | SCALE: | PRODUCT SPEC: | APPLICATION SPEC: | APPROVAL: |
| mm | mm | 1:1 | 108-94.177 | 114-18910-1 | A O |
| MATERIAL: | | FINISH: | WEIGHT: | SIZE: | RESTRICTION: |
| | | | 4.48g | A O 00779 | |
| CUSTOMER DRAWING | | SCALE: | SHEET: | REV: | |
| | | 5:1 | 1 | C6 | |

STE TE Connectivity

MALE HOUSING, 2POS., MCON 1.2mm LL SEALED ASSY

114-18910-1

1 of 1