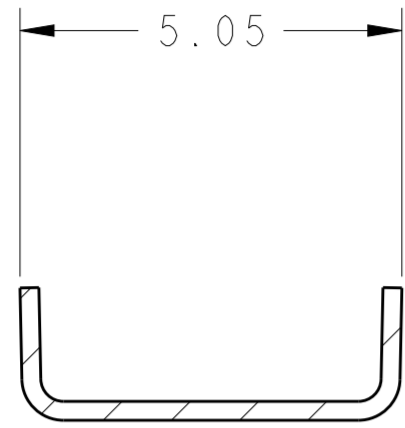
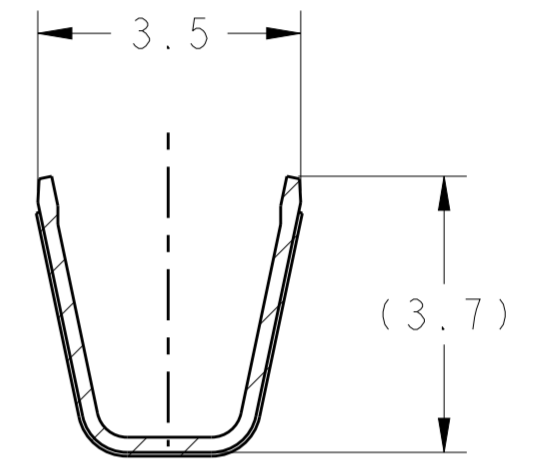
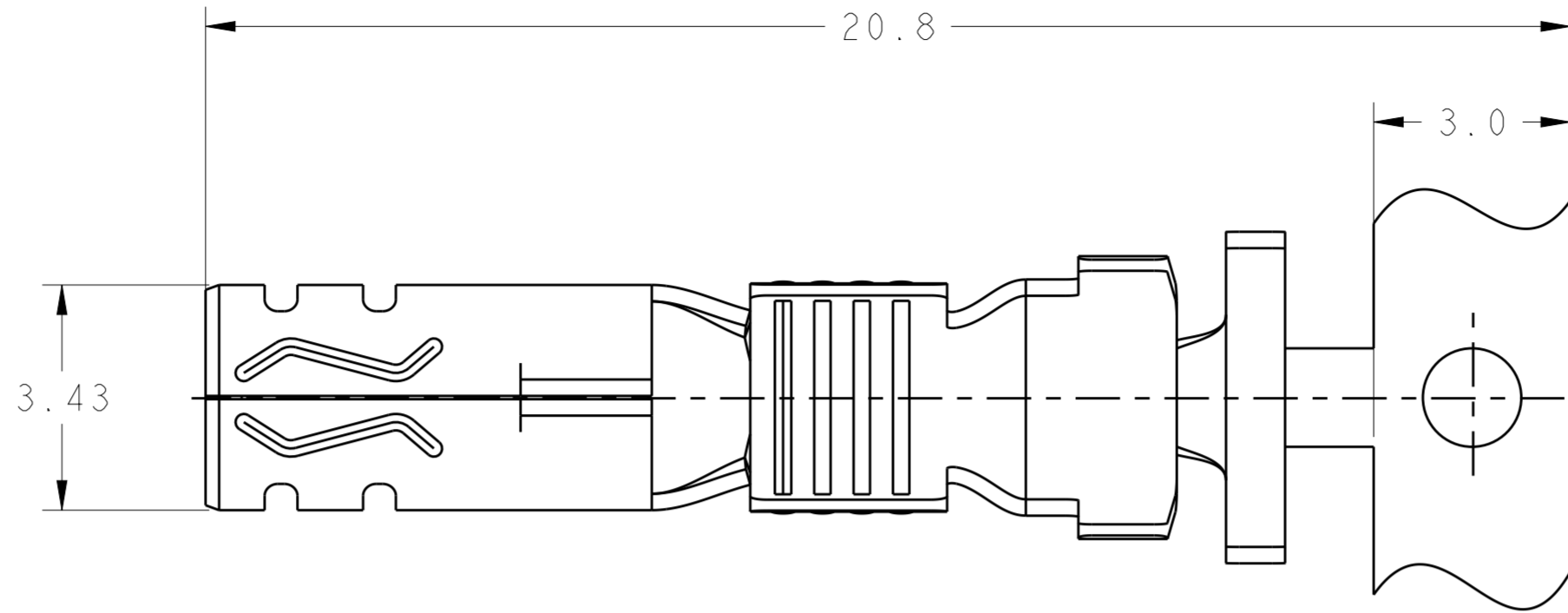


THIS DRAWING IS UNPUBLISHED. RELEASED FOR PUBLICATION 20  
 © COPYRIGHT 20 BY - ALL RIGHTS RESERVED.

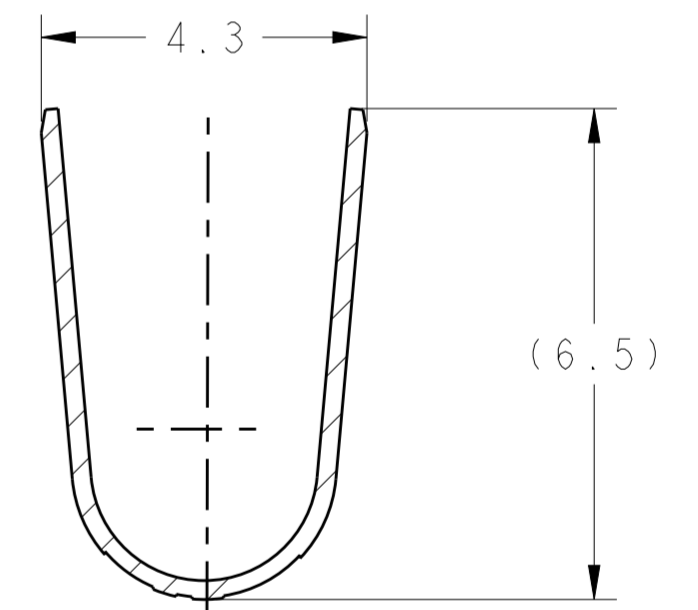
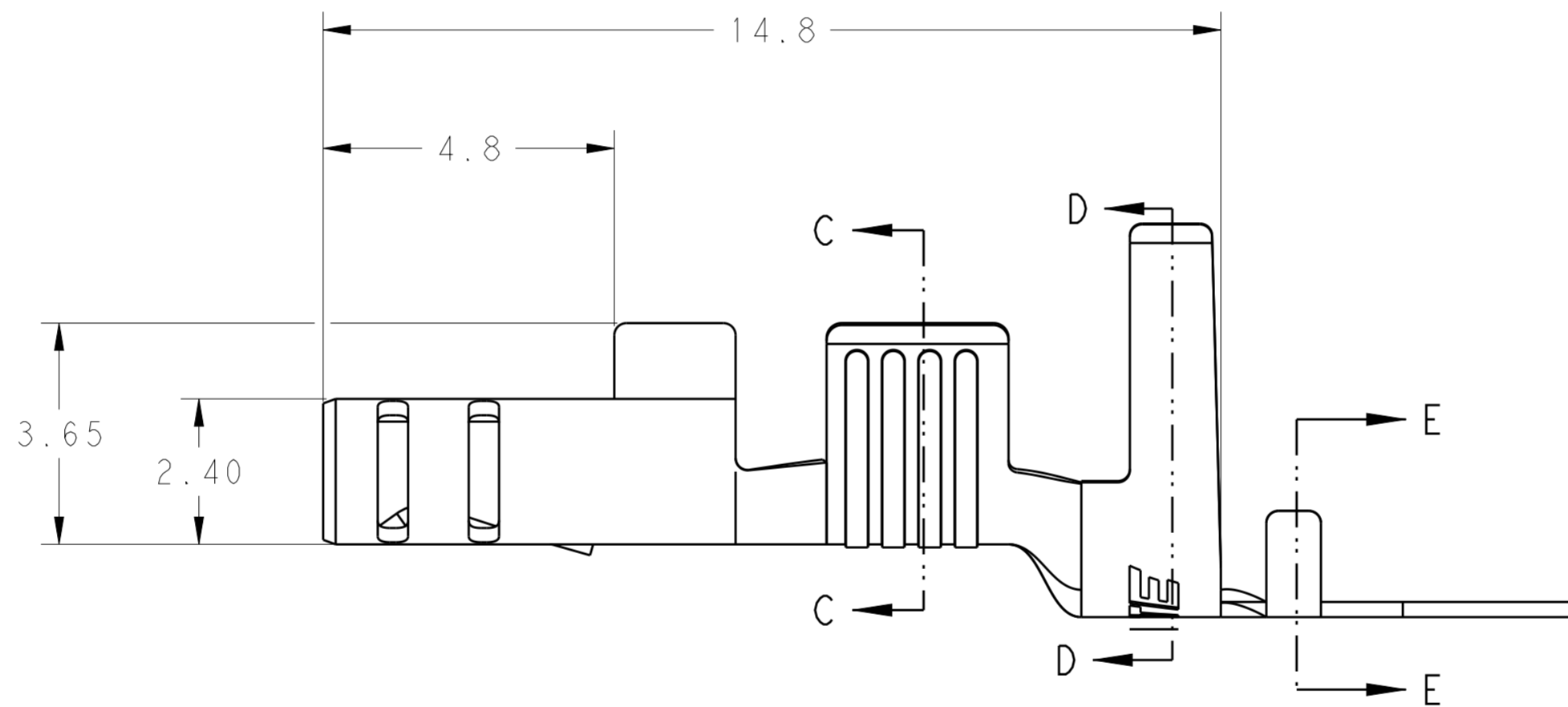
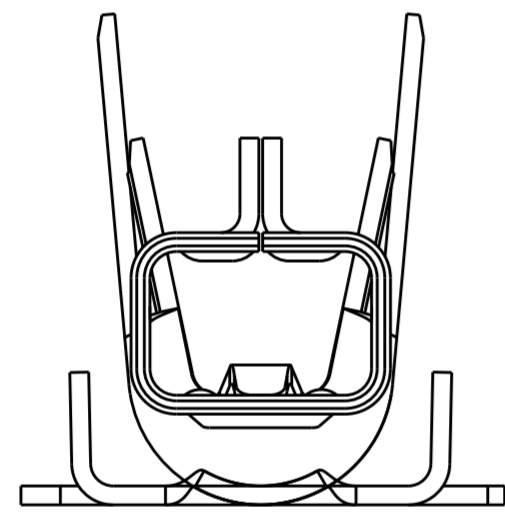
REVISIONS				
P	LTR	DESCRIPTION	DATE	APVD
D1		REVISED PER ECR-16-017426	19DEC2016	BW RS



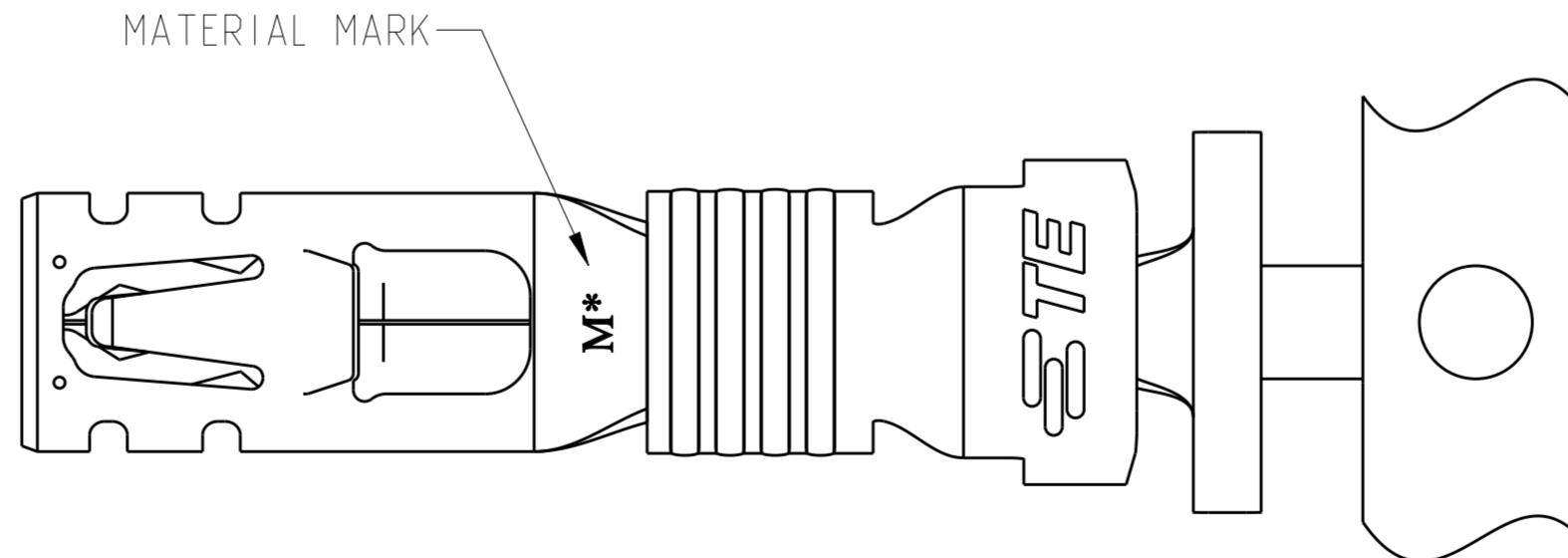
SECTION E-E



SECTION C-C



SECTION D-D



1 MATERIAL: COPPER ALLOY, PRE TIN PLATING.

2 APPLICABLE MATED PLUG HOUSING P/N:  
 \*-1971773-\*/\*-1971776-\*/\*-1971876-\*/  
 /\*-2232265-\*/\*-2232266-\*/\*-2232357-\*

3 APPLICABLE WIRE: 2x18AWG COPPER STRANDED

4 APPLICABLE INSULATION DIAMETER: 2.65~2.95mm

5 THIS PRODUCT HAS NOT COMPLETED VALIDATION TESTING.

HIGH(150°C)	M0	1971787-2
STANDARD(105°C)	M4	1971787-1
TEMP. RATING	MATERIAL MARK	PART NO

THIS DRAWING IS A CONTROLLED DOCUMENT.		DWN TOMMY WU 11 JUL 2012	<b>STE</b> TE Connectivity	
DIMENSIONS: mm		CHK HAPYE WU 11 JUL 2012		
TOLERANCES UNLESS OTHERWISE SPECIFIED:		APVD YUHHONG MAO 11 JUL 2012	NAME	
0 PLC ±		PRODUCT SPEC	RECEPTACLE CONTACT	
1 PLC ±0.5		APPLICATION SPEC	POWER TRIPLE LOCK	
2 PLC ±0.30		108-106118	SIZE	CAGE CODE
3 PLC ±		114-106118	A200779	C-1971787
4 PLC ±		WEIGHT	SCALE	SHEET
ANGLES ±		Customer Drawing	5:1	1 OF 1
FINISH				REV D1