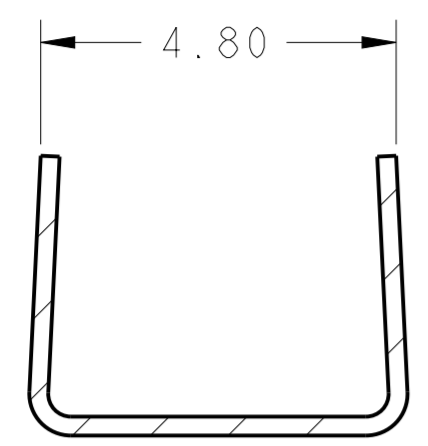
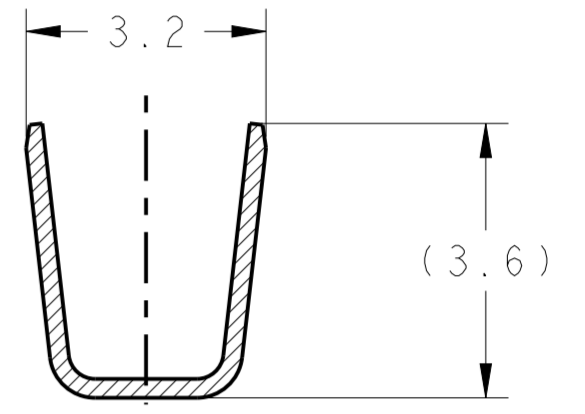
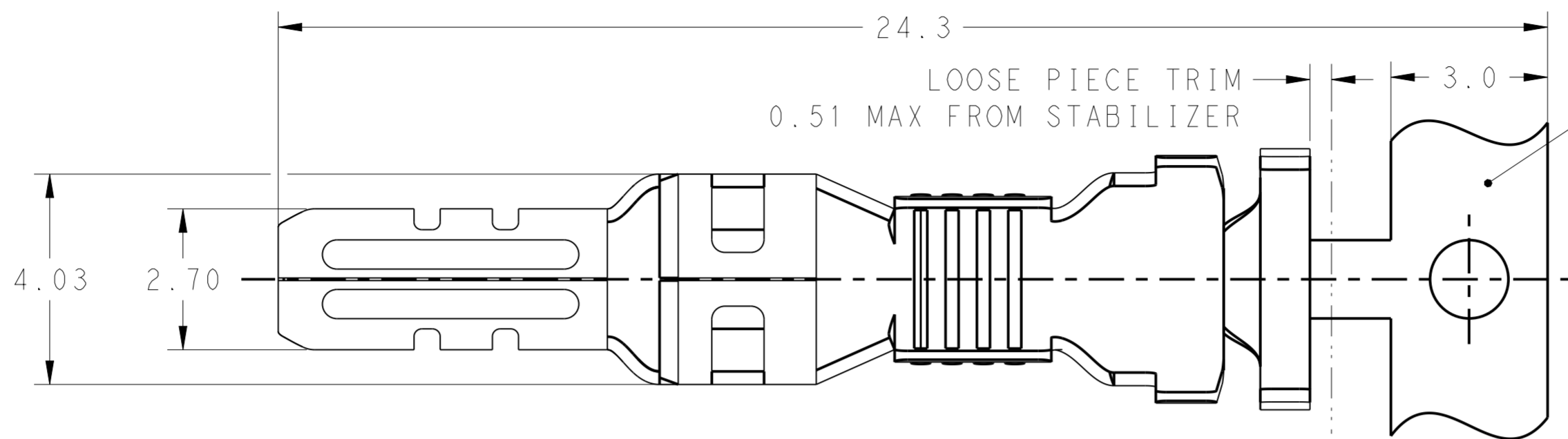


THIS DRAWING IS UNPUBLISHED. RELEASED FOR PUBLICATION 20  
 © COPYRIGHT 20 BY - ALL RIGHTS RESERVED.

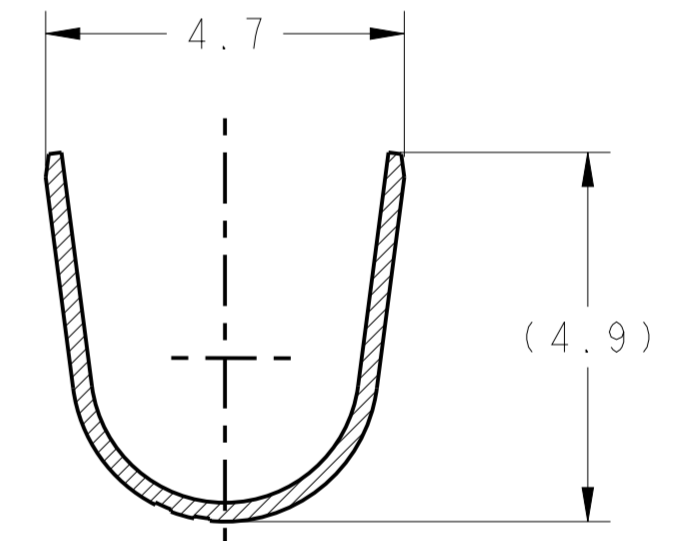
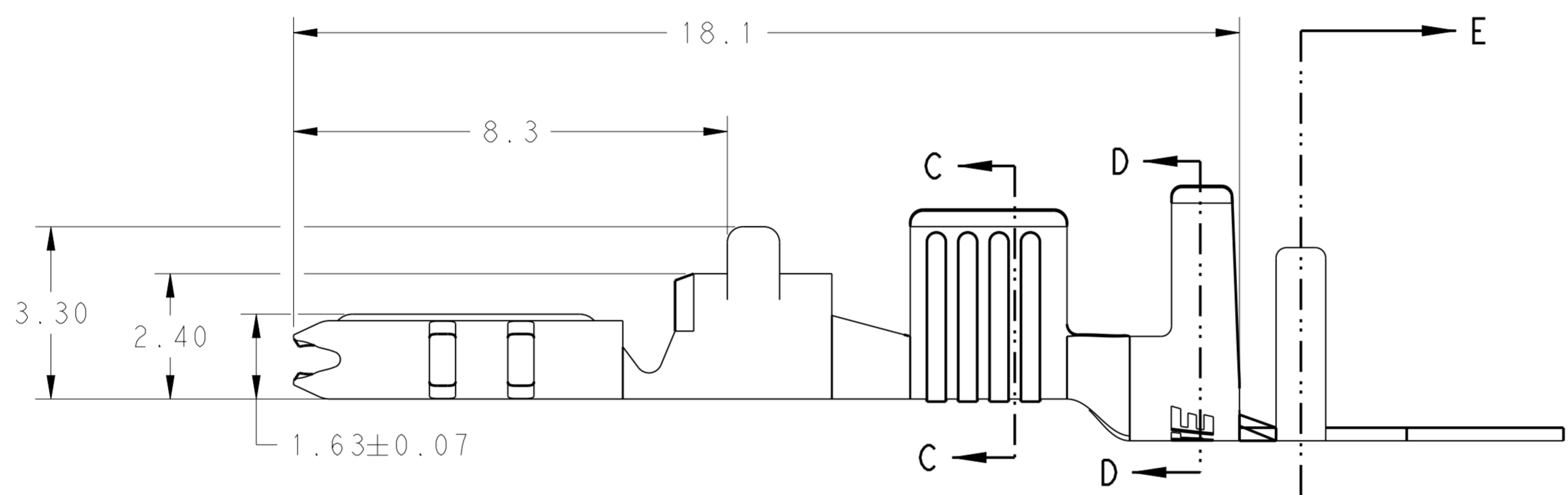
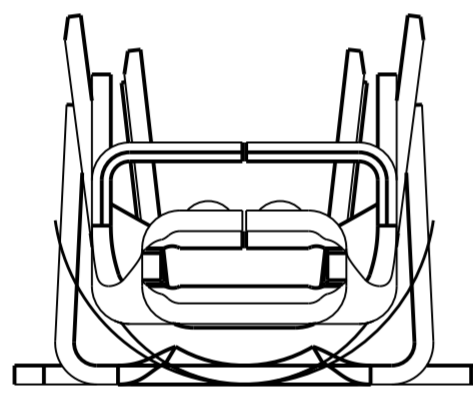
LOC	DIST	REVISIONS			
P	LTR	DESCRIPTION	DATE	DWN	APVD
ES	00	E	REVISED PER ECR-21-100678	08APR2021	SS VS



SECTION E-E

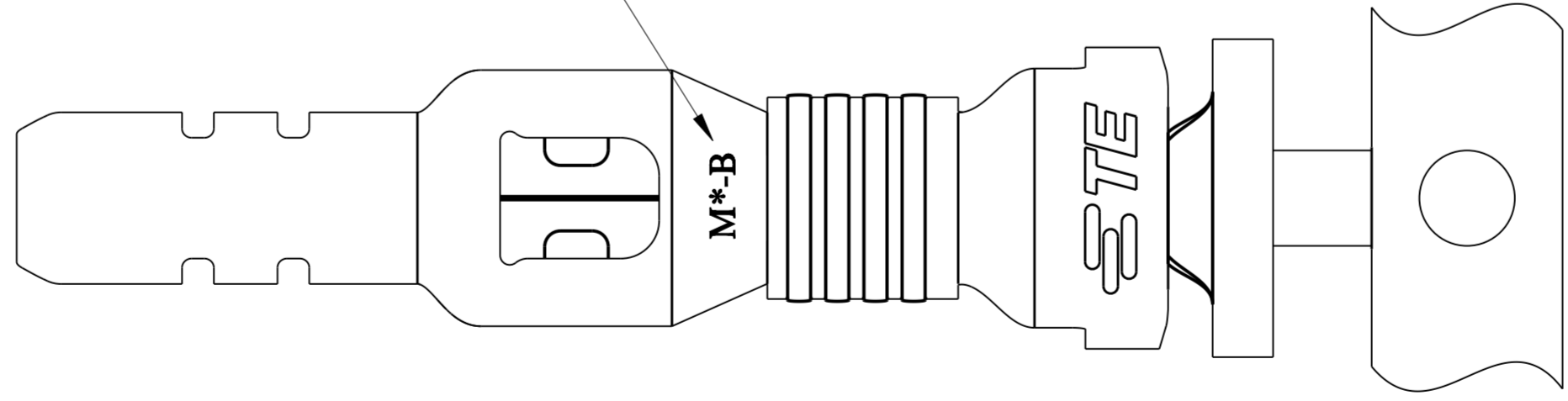


SECTION C-C



SECTION D-D

△ MATERIAL/SIZE MARK



1. RECOMMENDED WIRE RANGE: 14 AWG COPPER STRANDED (3500 - 4300 CMA)
  2. APPLICABLE INSULATION DIAMETER: 3.40~3.70mm
  3. APPLICABLE MATED CAP HOUSING P/N:  
 \*-1971772-\*/\*-1971775-\*/\*-1971875-\*/  
 \*-2232263-\*/\*-2232264-\*/\*-2232356-\*
- △ WIRE SIZE INDICATOR "B"=14 AWG

CONFIGURATION	MATERIAL	TEMP. RATING	MATERIAL/SIZE MARK	PART NO
LOOSE PIECE	COPPER ALLOY	HIGH(150°C)	M0-B	4-1971782-2
CONTINUOUS W CARRIER	COPPER ALLOY	HIGH(150°C)	M0-B	1971782-2
CONTINUOUS W CARRIER	BRASS	STANDARD(105°C)	M8-B	1971782-1

THIS DRAWING IS A CONTROLLED DOCUMENT.

DIMENSIONS: mm	TOLERANCES UNLESS OTHERWISE SPECIFIED:	DWN TOMMY WU 11JUL2011	 TE Connectivity
	0 PLC ± -	CHK HAPYE WU 11JUL2011	
	1 PLC ±0.5	APVD YUHONG MAO 11JUL2011	
	2 PLC ±0.30	NAME	
MATERIAL	FINISH	PRODUCT SPEC 108-106118	SIZE CAGE CODE DRAWING NO RESTRICTED TO
SEE TABLE	PRE-TIN	APPLICATION SPEC 114-106118	A200779C-1971782
Customer Drawing		WEIGHT -	SCALE 5:1 SHEET 1 OF 1 REV E