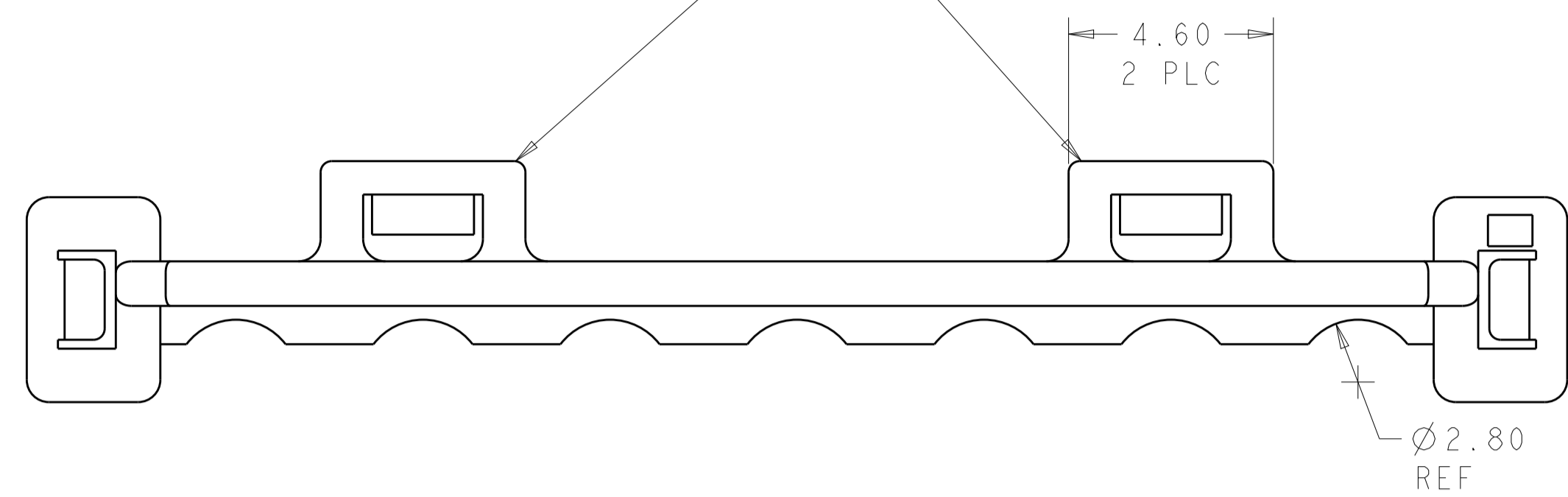
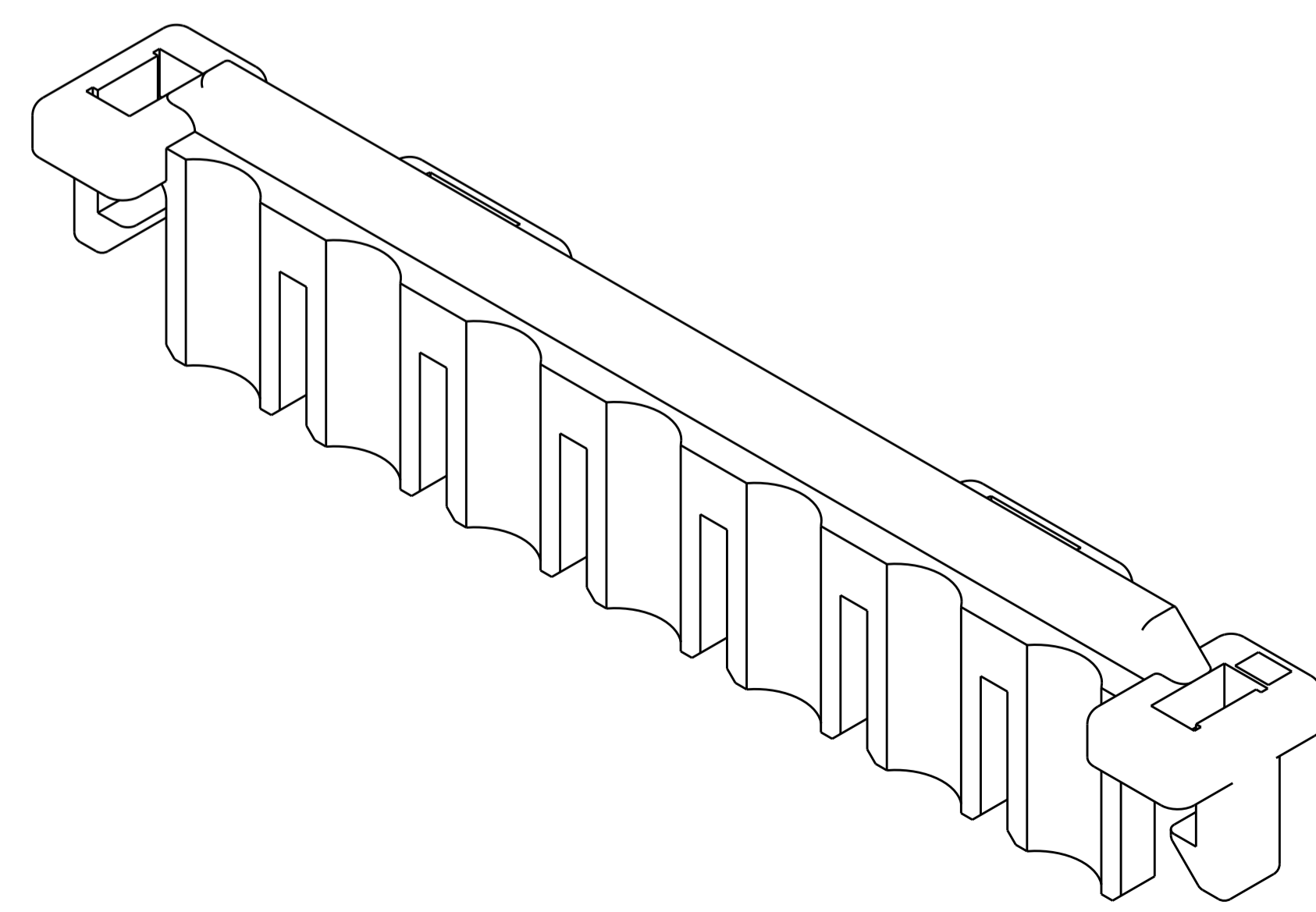
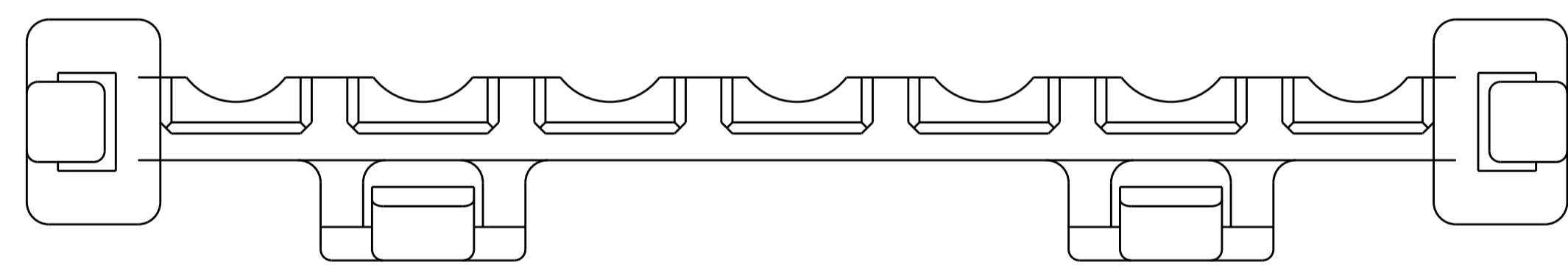
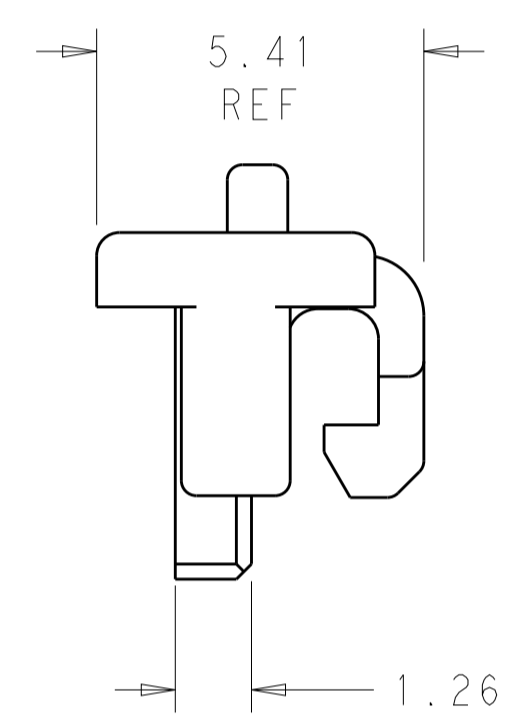
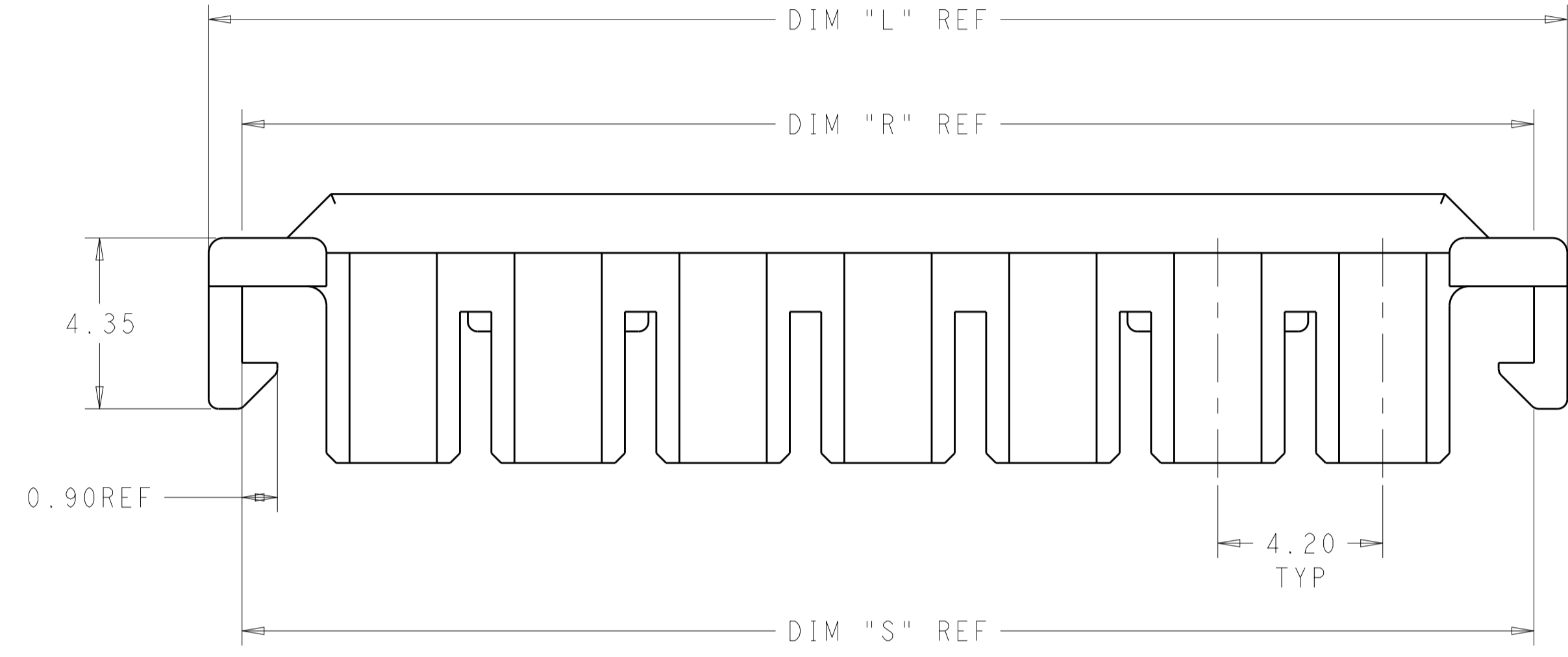
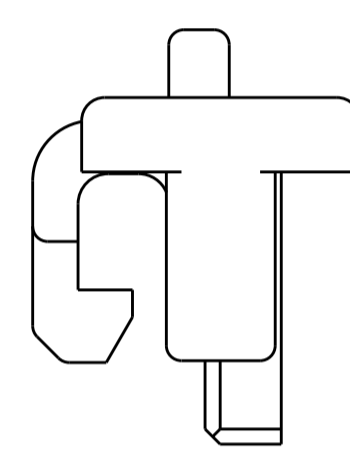


LOC		DIST		REVISIONS			
P	LTN	DESCRIPTION	DATE	DMN	APVD		
A2		REVISED PER ECR-16-017699	10JAN2017	JJ	DZ		

TOP LATCHES NOT PRESENT FOR POSITIONS 1-5



- USE WITH VAL-U-LOK HOUSINGS.
  - FOR USE WITH #22-#18 AWG LEAD WIRE WITH INSULATION DIA 2.16-2.79MM AND INSULATION CRIMP HEIGHT OF 3.05 MIN.
- 3 SIDE LATCHES ONLY, NO TOP LATCHES FOR POSITIONS 1-5



1969608-7 SHOWN HERE

53.94	53.90	55.60	12	1-1969608-2
49.74	49.70	51.40	11	1-1969608-1
45.54	45.50	47.20	10	1-1969608-0
41.34	41.30	43.00	9	1969608-9
37.14	37.10	38.80	8	1969608-8
32.94	32.90	34.60	7	1969608-7
28.74	28.70	30.40	6	1969608-6
24.54	24.50	26.20	5	1969608-5
20.34	20.30	22.00	4	1969608-4
16.14	16.10	17.80	3	1969608-3
11.94	11.90	13.60	2	1969608-2
7.74	7.70	9.40	1	1969608-1
DIM S	DIM R	DIM L	# OF POS	PART NO.

THIS DRAWING IS A CONTROLLED DOCUMENT.

DMN: S. EDWARDS 08JAN2013  
 CHK: JR RUTH 03JUN13  
 APVD: KURT RANDOLPH 04JUN13

**STE** TE Connectivity

NAME: HOUSING, TPA, VAL-U-LOK

PRODUCT SPEC: -  
 APPLICATION SPEC: -

MATERIAL: NYLON 6/6  
 FINISH: -  
 COLOR: BLACK

WEIGHT: -

Customer Drawing

SIZE: A1  
 CAGE CODE: 100779  
 DRAWING NO: 1969608

RESTRICTED TO: -

SCALE: 8:1  
 SHEET: 1 OF 1  
 REV: A2